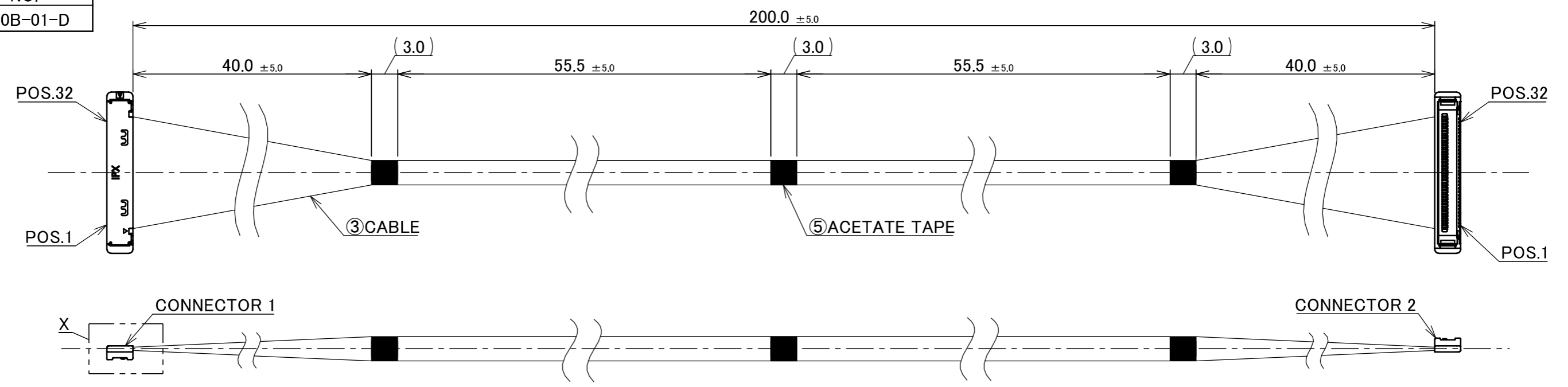
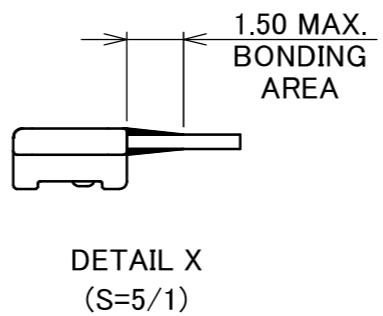
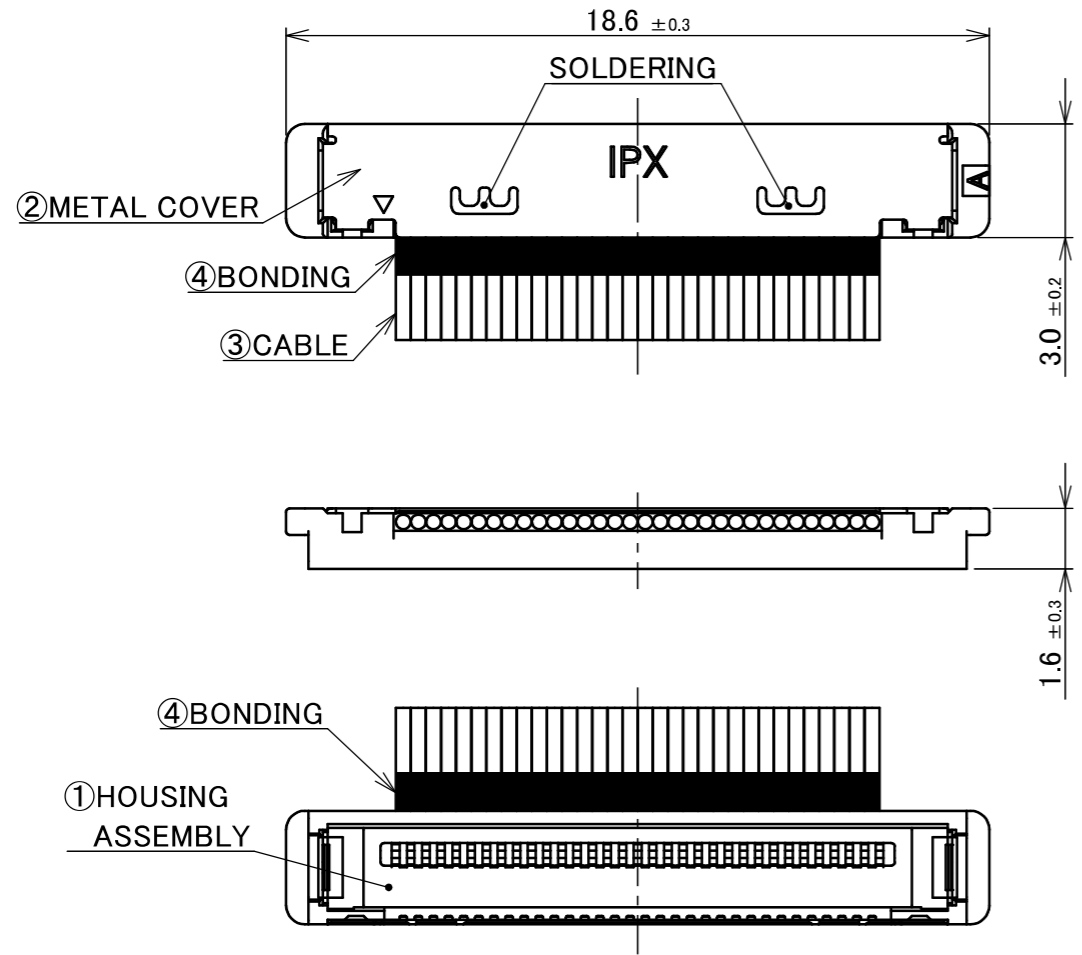


PART NO.
83020-100B-01-D



CONNECTOR 1&2
(S=5/1)



| PIN ASSIGNMENT | | |
|----------------|---|-------------|
| CONNECTOR 1 | CABLE | CONNECTOR 2 |
| 32 | MICRO-COAXIAL CABLE AWG#40 50 OHM, BLUE | 32 |
| 31 | MICRO-COAXIAL CABLE AWG#40 50 OHM, BLUE | 31 |
| · | MICRO-COAXIAL CABLE AWG#40 50 OHM, BLUE | · |
| · | | · |
| · | | · |
| 2 | MICRO-COAXIAL CABLE AWG#40 50 OHM, BLUE | 2 |
| 1 | MICRO-COAXIAL CABLE AWG#40 50 OHM, BLUE | 1 |

NOTE.

- TO HANDLE THIS CONNECTOR YOU MUST READ AND FOLLOW THE INSTRUCTION MANUAL BELOW. I-PEX INSTRUCTION MANUAL No.HIM-04001.
- ELECTRIC CHARACTERISTICS
WITHSTANDVOLTAGE : AC 250V LEAKAGE CURRENT 2.0mA MAX.
INSULATION RESISTANCE : 50MΩ MIN. DC 100V
- THE OPERATING TEMPERATURE OF THE HARNESS : 80°C MAX.
- RATING VOLTAGE : 30V

| 5 | ACETATE TAPE | - | 3 | BLACK |
|-----------------|------------------|---------------|------------|--|
| 4 | BONDING | - | - | UV GLUE |
| 3 | CABLE | - | 32 | MICRO-COAXIAL CABLE AWG #40, 50 OHM, BLUE |
| 2 | METAL COVER | 2182-032-03 | 2 | CONNECTOR 1&2 CABLIN [®] -SS PLUG P/N : 20380-R32T-06 CONNECTOR TO BE MATED : 20374-R32E-31 |
| 1 | HOUSING ASSEMBLY | 20373-R32T-06 | 2 | |
| NO. | DESCRIPTION | PARTS NO. | QTY | REMARKS |
| | | | | ANGLE ±2° 6 OVER 30 MAX. ±0.3 6 MAX. ±0.2 30 OVER 120 MAX. ±0.5 |
| | | | | PROJECTION SERIES No. IH-200016 CUSTOMER COPY |
| | | | | GENERAL TOLERANCE. TITLE CABLIN [®] -SS 32P HARNESS SCALE 2:1 UNIT I-PEX |
| 0 | ZM00919 | K.Fu | 2026/05/29 | - CHK. R.Takei |
| REV. | ECN | BY | DATE | APP. T.Masunaga |
| REVISION RECORD | | | | DWG. No. 83020 |
| | | | | SCALE mm SIZE SHEET REV. A3 1/1 0 |

Confidential C

I-PEX Inc.

QKE-DFE06-02 REV.12