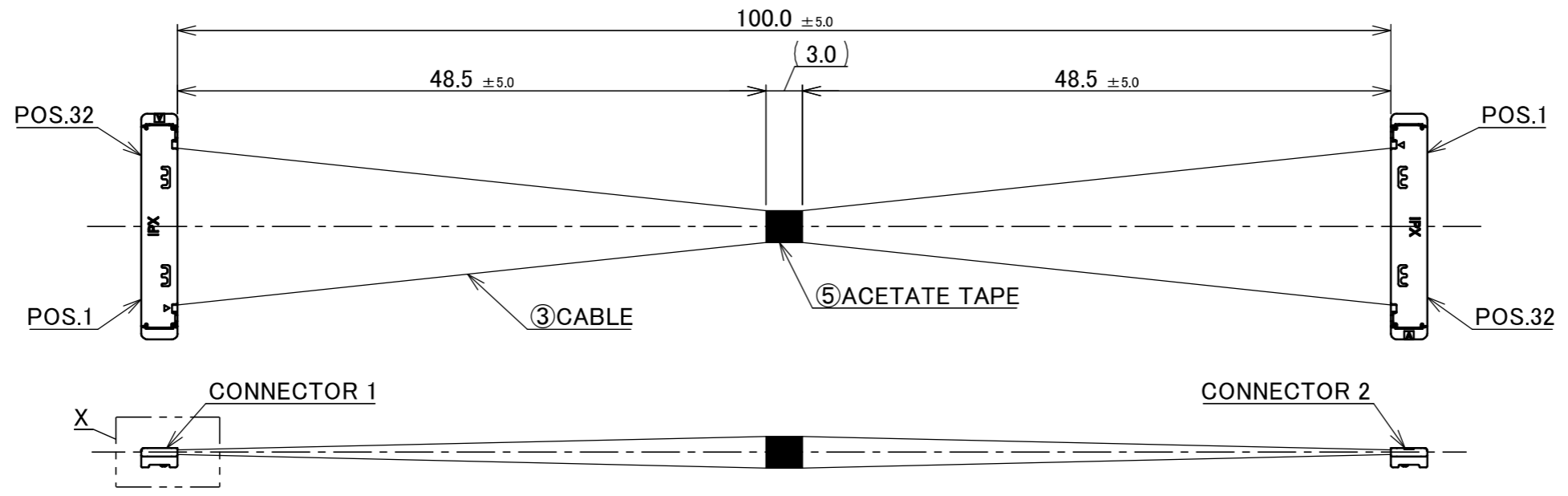
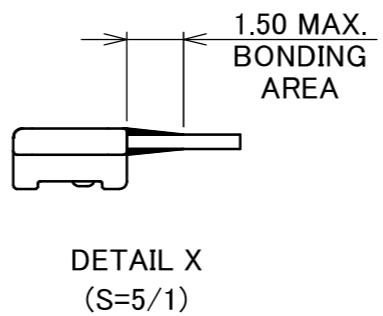
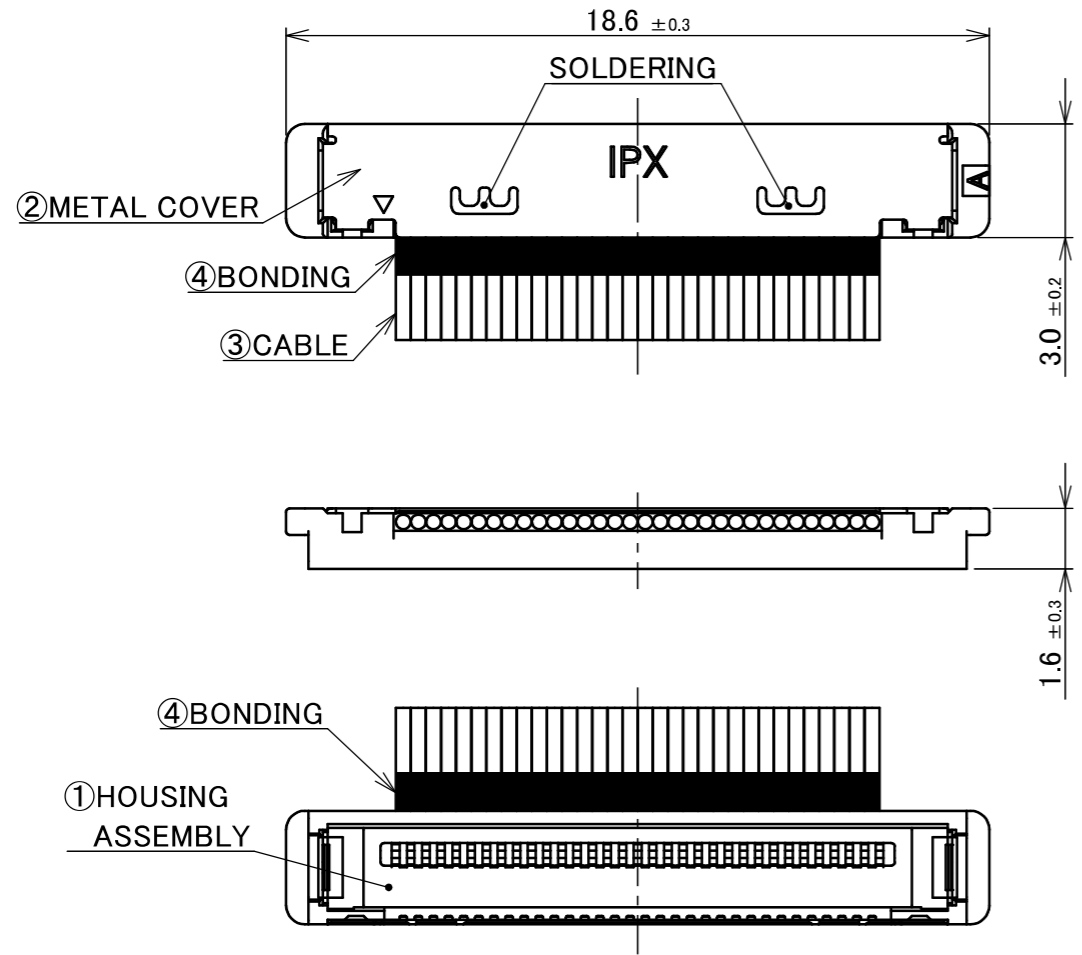


PART NO.
82887-100B-02-D



CONNECTOR 1&2
(S=5/1)



PIN ASSIGNMENT		
CONNECTOR 1	CABLE	CONNECTOR 2
32	MICRO-COAXIAL CABLE AWG#40 50 OHM, BLUE	1
31	MICRO-COAXIAL CABLE AWG#40 50 OHM, BLUE	2
·	MICRO-COAXIAL CABLE AWG#40 50 OHM, BLUE	·
·		·
·		·
2	MICRO-COAXIAL CABLE AWG#40 50 OHM, BLUE	31
1	MICRO-COAXIAL CABLE AWG#40 50 OHM, BLUE	32

NOTE.
1. TO HANDLE THIS CONNECTOR YOU MUST READ AND FOLLOW THE INSTRUCTION MANUAL BELOW. I-PEX INSTRUCTION MANUAL No.HIM-04001.
2. ELECTRIC CHARACTERISTICS
WITHSTANDVOLTAGE : AC 250V LEAKAGE CURRENT 2.0mA MAX.
INSULATION RESISTANCE : 50MΩ MIN. DC 100V
3. THE OPERATING TEMPERATURE OF THE HARNESS : 80°C MAX.
4. RATING VOLTAGE : 30V

5	ACETATE TAPE	-	1	BLACK
4	BONDING	-	-	UV GLUE
3	CABLE	-	32	MICRO-COAXIAL CABLE AWG #40, 50 OHM, BLUE
2	METAL COVER	2182-032-03	2	CONNECTOR 1&2 CABLIN [®] -SS PLUG P/N : 20380-R32T-06
1	HOUSING ASSEMBLY	20373-R32T-06	2	CONNECTOR TO BE MATED : 20374-R32E-31
NO.	DESCRIPTION	PARTS NO.	QTY	REMARKS
				ANGLE ±2° 6 OVER 30 MAX. ±0.3 6 MAX. ±0.2 30 OVER 120 MAX. ±0.5
				PROJECTION SERIES No. IH-200016 CUSTOMER COPY
				GENERAL TOLERANCE. TITLE CABLIN [®] -SS 32P HARNESS SCALE 2:1 UNIT I-PEX
				DWG. K.Fukutomi DATE 2026/04/08 CHK. R.Takei mm
0	ZM00758	K.Fu	2026/04/08	-
REV.	ECN	BY	DATE	APP.
				APP. T.Masunaga
REVISION RECORD				DWG. No. 82887
				SIZE A3 SHEET 1/1 REV. 0

Confidential C

I-PEX Inc.

QKE-DFE06-02 REV.12