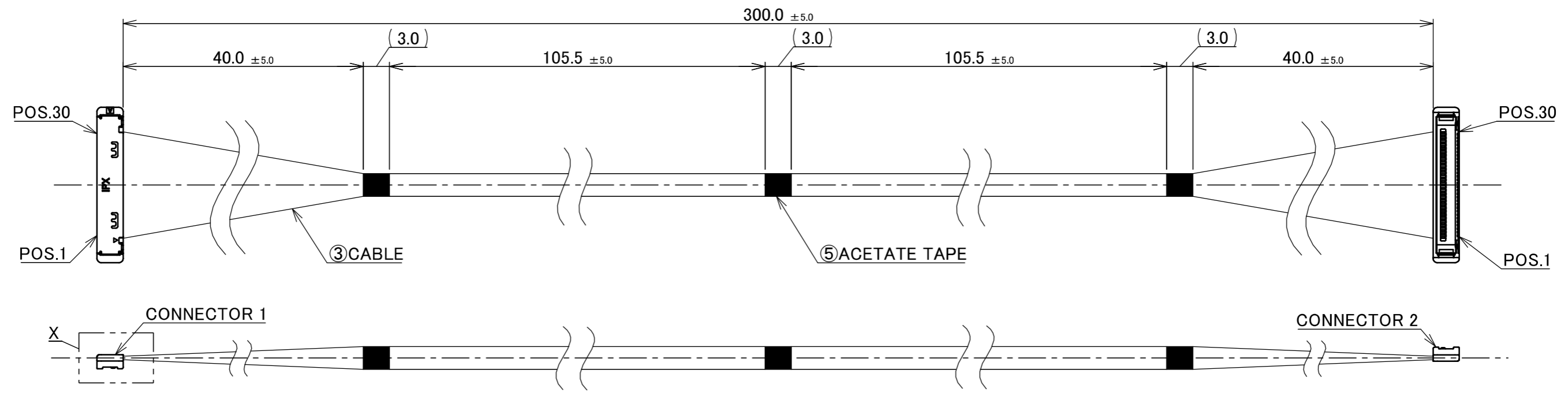
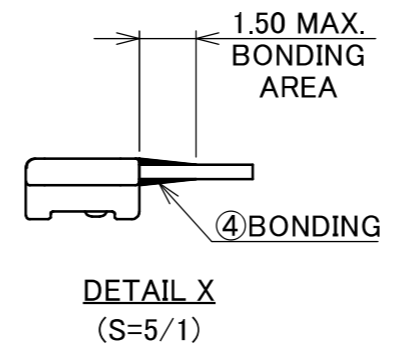
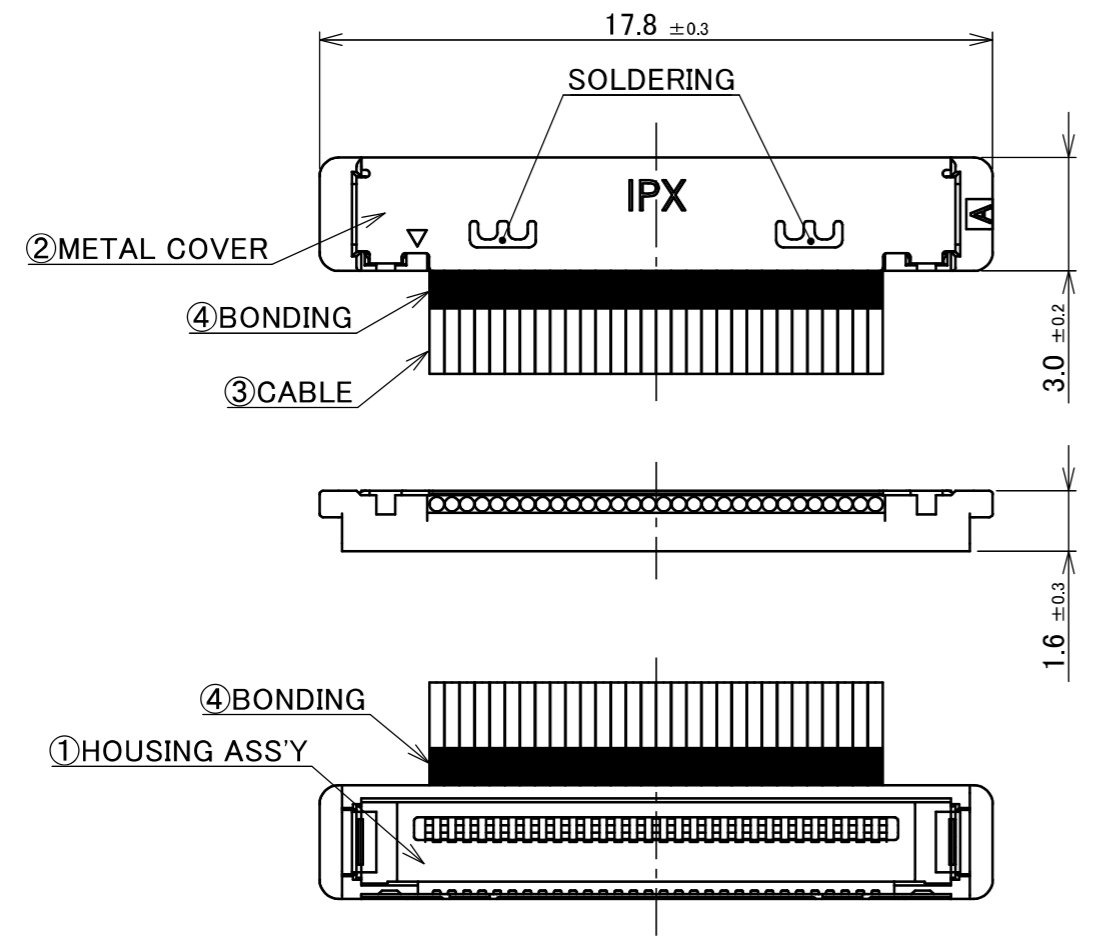


PART No.
83018-100B-01-D



NOTE.
1. TO HANDLE THIS CONNECTOR YOU MUST READ AND FOLLOW THE INSTRUCTION MANUAL BELOW. I-PEX INSTRUCTION MANUAL No.HIM-04001.
2. ELECTRIC CHARACTERISTICS
WITHSTANDVOLTAGE : AC 250V LEAKAGE CURRENT 2.0mA MAX.
INSULATION RESISTANCE : 50MΩ MIN. DC 100V
3. THE OPERATING TEMPERATURE OF THE HARNESS : 80°C MAX.

CONNECTOR 1&2
(S=5/1)



PIN ASSIGNMENT		
CONNECTOR 1	CABLE	CONNECTOR 2
30	MICRO-COAXIAL CABLE AWG#40 50 OHM, BLUE	30
29	MICRO-COAXIAL CABLE AWG#40 50 OHM, BLUE	29
·	MICRO-COAXIAL CABLE AWG#40 50 OHM, BLUE	·
·	MICRO-COAXIAL CABLE AWG#40 50 OHM, BLUE	·
·	MICRO-COAXIAL CABLE AWG#40 50 OHM, BLUE	·
2	MICRO-COAXIAL CABLE AWG#40 50 OHM, BLUE	2
1	MICRO-COAXIAL CABLE AWG#40 50 OHM, BLUE	1

NO.	DESCRIPTION	PARTS NO.	QTY	REMARKS																																														
5	ACETATE TAPE	-	3	BLACK																																														
4	BONDING	-	-	UV GLUE																																														
3	CABLE	-	30	MICRO-COAXIAL CABLE AWG #40, 50 OHM, BLUE																																														
2	METAL COVER	2182-030-03	2	CONNECTOR 1&2 CABLIN [®] -SS PLUG P/N : 20380-R30T-06 CONNECTOR TO BE MATED : 20374-R30E-31																																														
1	HOUSING ASS'Y	20373-R30T-06	2																																															
<table border="1"> <tr> <td>ANGLE</td> <td>±2°</td> <td>6 OVER 30 MAX.</td> <td>±0.3</td> <td rowspan="2">PROJECTION SERIES No. IH-200016</td> <td rowspan="2">CUSTOMER COPY</td> </tr> <tr> <td></td> <td>6 MAX.</td> <td>±0.2</td> <td>30 OVER 120 MAX.</td> <td>±0.5</td> </tr> <tr> <td colspan="4">GENERAL TOLERANCE.</td> <td rowspan="3">TITLE CABLIN[®]-SS 30P HARNESS</td> <td rowspan="3">SCALE 2:1 UNIT mm</td> </tr> <tr> <td>DWG.</td> <td colspan="2">K.Fukutomi</td> <td>DATE</td> <td>2026/05/29</td> </tr> <tr> <td>CHK.</td> <td colspan="2">R.Takei</td> <td colspan="2"></td> </tr> <tr> <td>REV.</td> <td>ECN</td> <td>BY</td> <td>DATE</td> <td>APP.</td> <td>DWG. No.</td> <td>83018</td> <td>SIZE</td> <td>SHEET</td> <td>REV.</td> </tr> <tr> <td colspan="5">REVISION RECORD</td> <td>T.Masunaga</td> <td>A3</td> <td>1/1</td> <td>0</td> </tr> </table>					ANGLE	±2°	6 OVER 30 MAX.	±0.3	PROJECTION SERIES No. IH-200016	CUSTOMER COPY		6 MAX.	±0.2	30 OVER 120 MAX.	±0.5	GENERAL TOLERANCE.				TITLE CABLIN [®] -SS 30P HARNESS	SCALE 2:1 UNIT mm	DWG.	K.Fukutomi		DATE	2026/05/29	CHK.	R.Takei				REV.	ECN	BY	DATE	APP.	DWG. No.	83018	SIZE	SHEET	REV.	REVISION RECORD					T.Masunaga	A3	1/1	0
ANGLE	±2°	6 OVER 30 MAX.	±0.3	PROJECTION SERIES No. IH-200016	CUSTOMER COPY																																													
	6 MAX.	±0.2	30 OVER 120 MAX.			±0.5																																												
GENERAL TOLERANCE.				TITLE CABLIN [®] -SS 30P HARNESS	SCALE 2:1 UNIT mm																																													
DWG.	K.Fukutomi		DATE			2026/05/29																																												
CHK.	R.Takei																																																	
REV.	ECN	BY	DATE	APP.	DWG. No.	83018	SIZE	SHEET	REV.																																									
REVISION RECORD					T.Masunaga	A3	1/1	0																																										

Confidential C

I-PEX Inc.

QKE-DFE06-02 REV.12