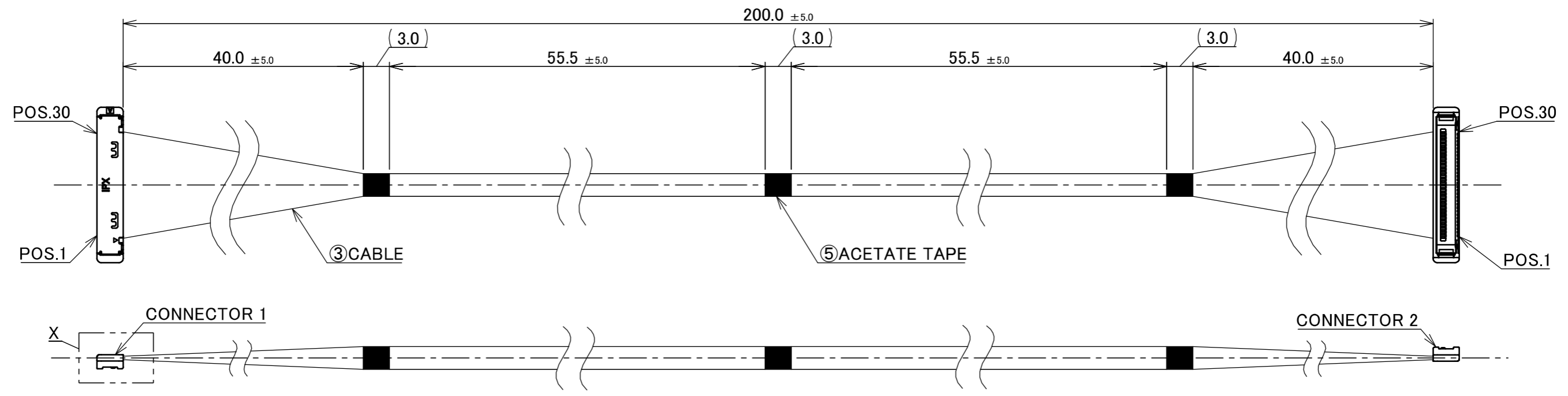
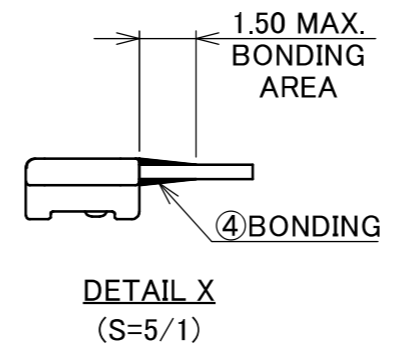
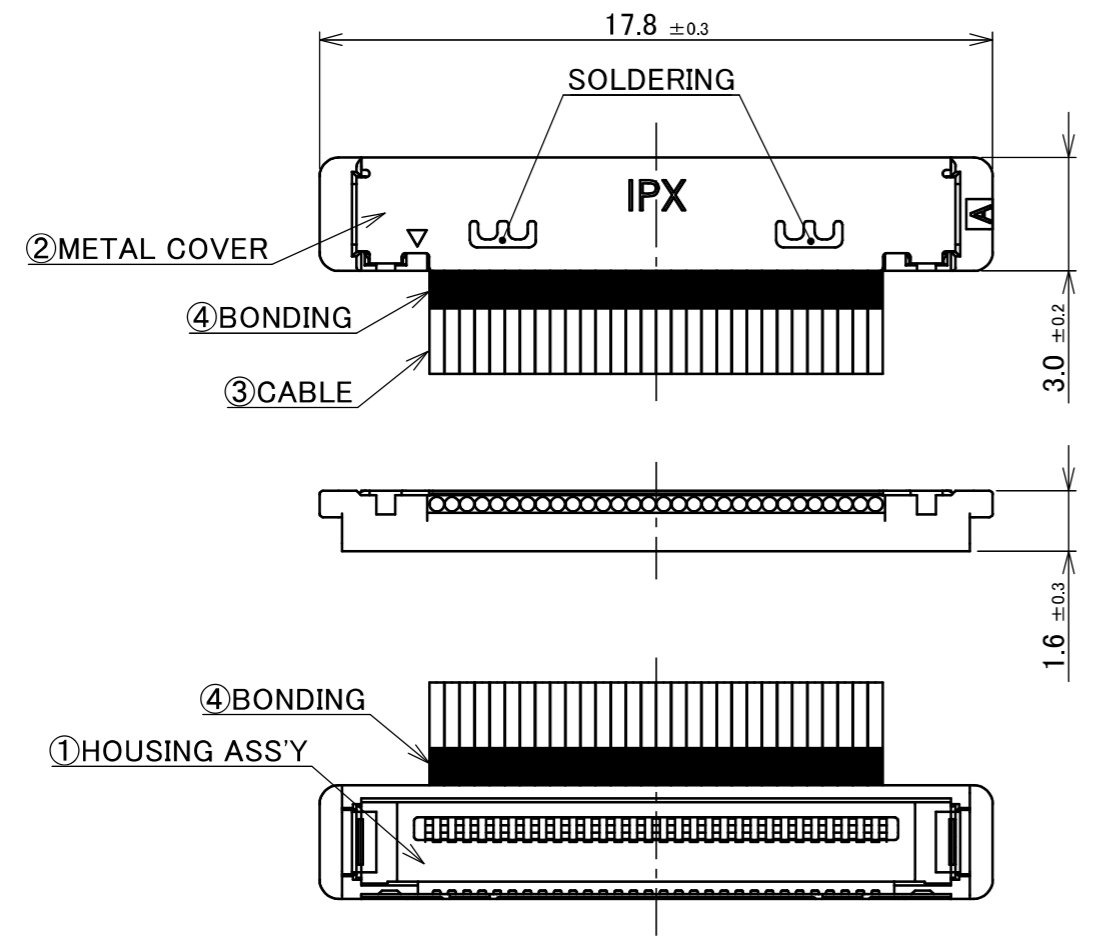


PART No.
83017-100B-01-D



NOTE.
1. TO HANDLE THIS CONNECTOR YOU MUST READ AND FOLLOW THE INSTRUCTION MANUAL BELOW. I-PEX INSTRUCTION MANUAL No.HIM-04001.
2. ELECTRIC CHARACTERISTICS
WITHSTANDVOLTAGE : AC 250V LEAKAGE CURRENT 2.0mA MAX.
INSULATION RESISTANCE : 50MΩ MIN. DC 100V
3. THE OPERATING TEMPERATURE OF THE HARNESS : 80°C MAX.

CONNECTOR 1&2
(S=5/1)



PIN ASSIGNMENT		
CONNECTOR 1	CABLE	CONNECTOR 2
30	MICRO-COAXIAL CABLE AWG#40 50 OHM, BLUE	30
29	MICRO-COAXIAL CABLE AWG#40 50 OHM, BLUE	29
·	MICRO-COAXIAL CABLE AWG#40 50 OHM, BLUE	·
·	MICRO-COAXIAL CABLE AWG#40 50 OHM, BLUE	·
·	MICRO-COAXIAL CABLE AWG#40 50 OHM, BLUE	·
2	MICRO-COAXIAL CABLE AWG#40 50 OHM, BLUE	2
1	MICRO-COAXIAL CABLE AWG#40 50 OHM, BLUE	1

5	ACETATE TAPE	-	3	BLACK
4	BONDING	-	-	UV GLUE
3	CABLE	-	30	MICRO-COAXIAL CABLE AWG #40, 50 OHM, BLUE
2	METAL COVER	2182-030-03	2	CONNECTOR 1&2 CABLIN [®] -SS PLUG P/N : 20380-R30T-06 CONNECTOR TO BE MATED : 20374-R30E-31
1	HOUSING ASS'Y	20373-R30T-06	2	
NO.	DESCRIPTION	PARTS NO.	QTY	REMARKS
				ANGLE ±2° 6 OVER 30 MAX. ±0.3 6 MAX. ±0.2 30 OVER 120 MAX. ±0.5
				PROJECTION SERIES No. IH-200016 TITLE CABLIN [®] -SS 30P HARNESS SCALE 2:1 UNIT mm SHEET 1/1 REV. 0
				GENERAL TOLERANCE. DWG. K.Fukutomi DATE 2026/05/29 CHK. R.Takei APP. T.Masunaga
0	ZM00917	K.Fu	2026/05/29	-
REV.	ECN	BY	DATE	APP.
REVISION RECORD				T.Masunaga
				DWG. No. 83017

Confidential C

I-PEX Inc.

QKE-DFE06-02 REV.12