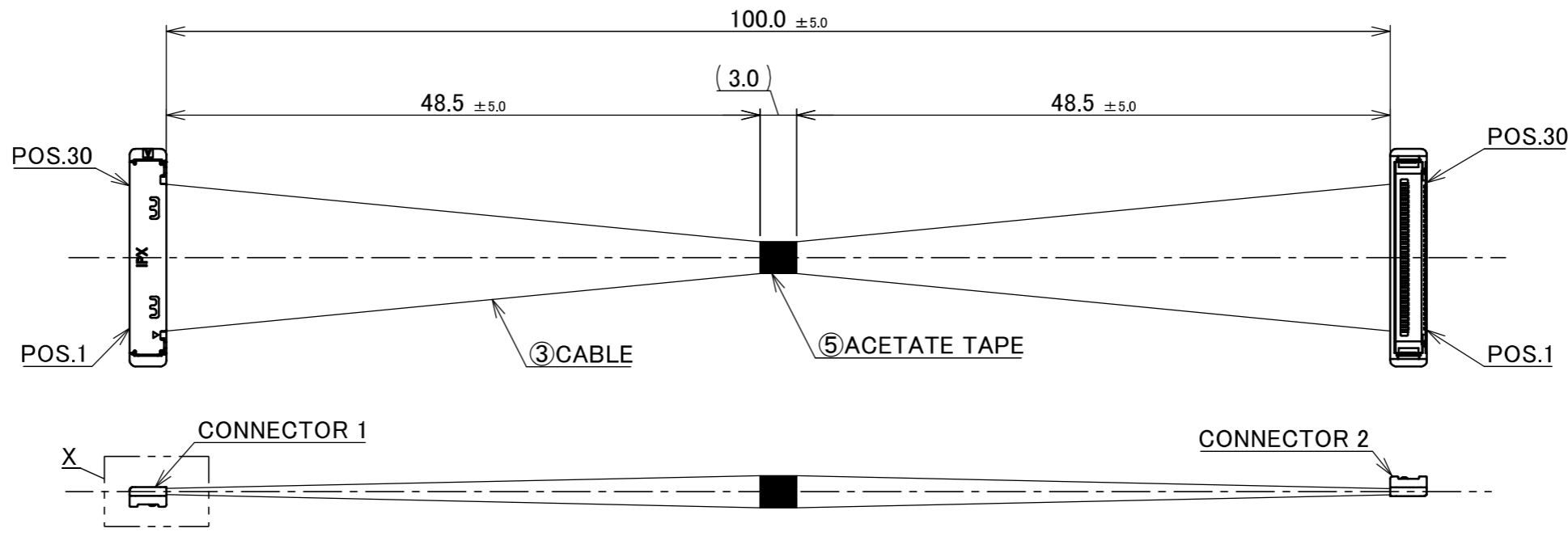
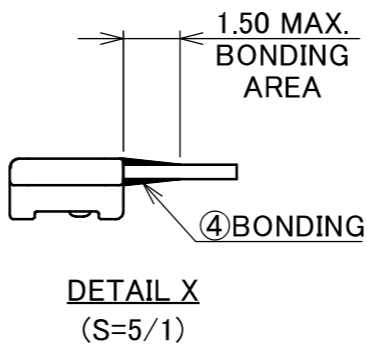
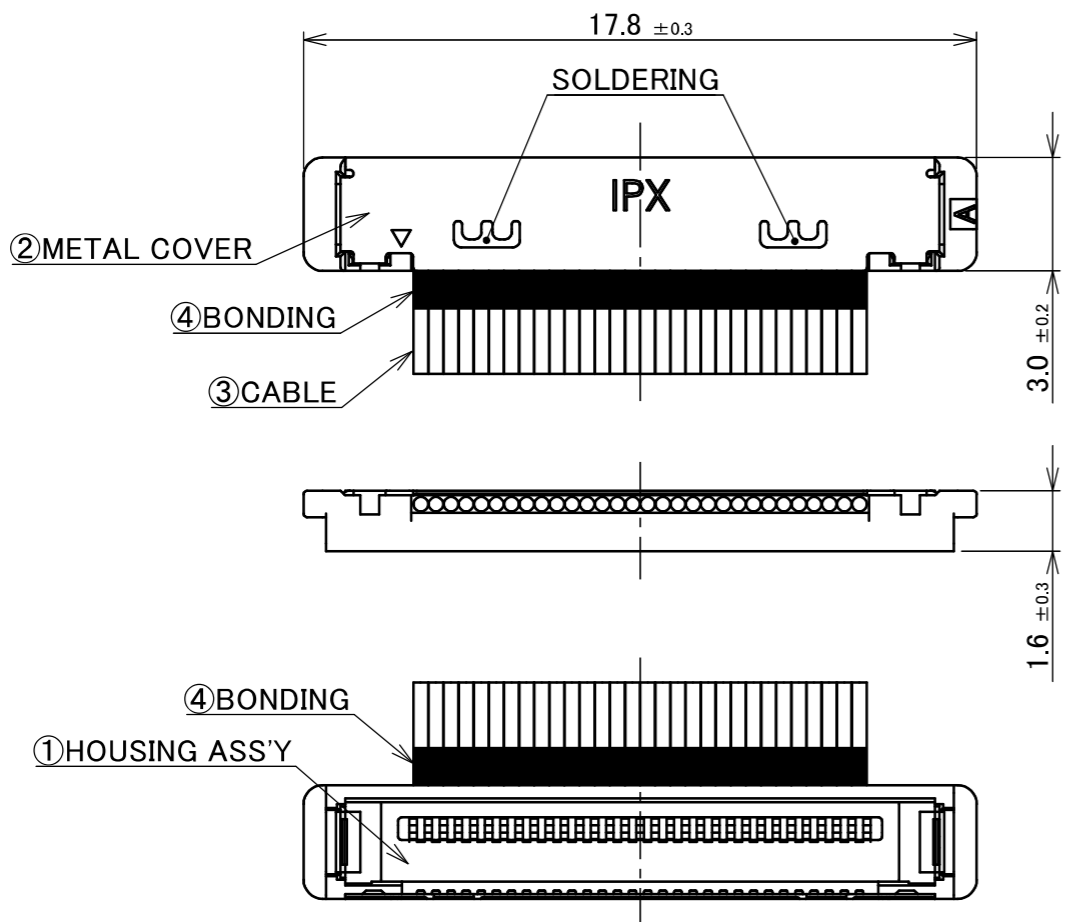


PART No.
83016-100B-01-D



NOTE.
 1. TO HANDLE THIS CONNECTOR YOU MUST READ AND FOLLOW THE INSTRUCTION MANUAL BELOW. I-PEX INSTRUCTION MANUAL No.HIM-04001.
 2. ELECTRIC CHARACTERISTICS
 WITHSTANDVOLTAGE : AC 250V LEAKAGE CURRENT 2.0mA MAX.
 INSULATION RESISTANCE : 50MΩ MIN. DC 100V
 3. THE OPERATING TEMPERATURE OF THE HARNESS : 80°C MAX.

CONNECTOR 1&2
(S=5/1)



PIN ASSIGNMENT		
CONNECTOR 1	CABLE	CONNECTOR 2
30	MICRO-COAXIAL CABLE AWG#40 50 OHM, BLUE	30
29	MICRO-COAXIAL CABLE AWG#40 50 OHM, BLUE	29
.	MICRO-COAXIAL CABLE AWG#40 50 OHM, BLUE	.
2	MICRO-COAXIAL CABLE AWG#40 50 OHM, BLUE	2
1	MICRO-COAXIAL CABLE AWG#40 50 OHM, BLUE	1

NO.	DESCRIPTION	PARTS NO.	QTY	REMARKS
5	ACETATE TAPE	-	1	BLACK
4	BONDING	-	-	UV GLUE
3	CABLE	-	30	MICRO-COAXIAL CABLE AWG #40, 50 OHM, BLUE
2	METAL COVER	2182-030-03	2	CONNECTOR 1&2 CABLIN [®] -SS PLUG P/N : 20380-R30T-06 CONNECTOR TO BE MATED : 20374-R30E-31
1	HOUSING ASS'Y	20373-R30T-06	2	

ANGLE	±2°	6 OVER 30 MAX.	±0.3	PROJECTION ⊕	SERIES No. IH-200016	CUSTOMER COPY			
	6 MAX.	±0.2	30 OVER 120 MAX.				±0.5		
GENERAL TOLERANCE.				TITLE CABLIN [®] -SS 30P HARNESS	SCALE 2:1	UNIT mm			
DWG.	K.Fukutomi		DATE				2026/05/29		
CHK.	R.Takei								
REV.	ECN	BY	DATE	APP.	DWG. No.	83016	SIZE A3	SHEET 1/1	REV. 0
REVISION RECORD					T.Masunaga				

Confidential C

I-PEX Inc.

QKE-DFE06-02 REV.12