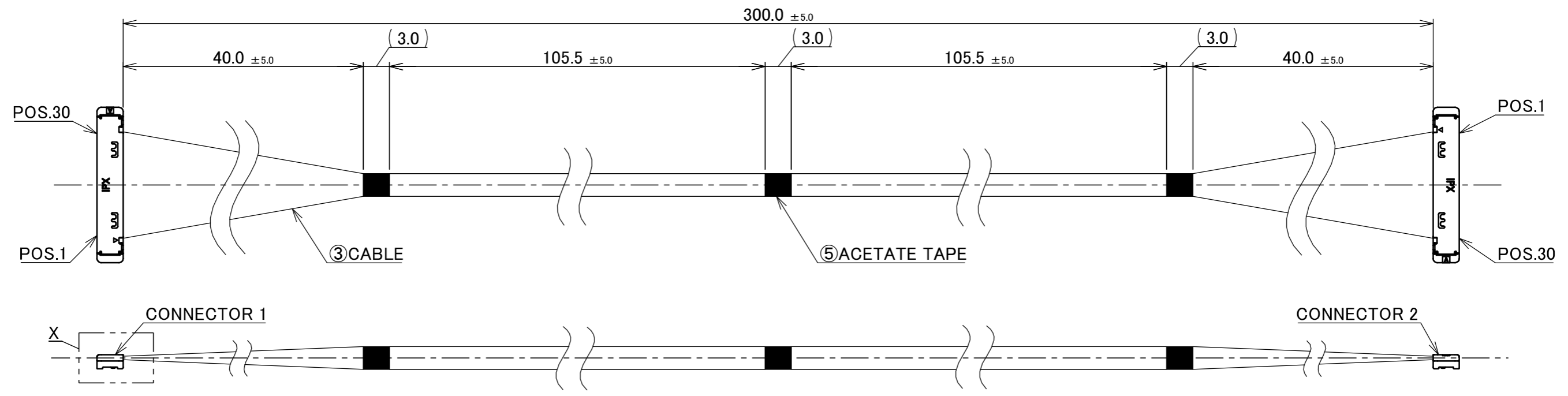
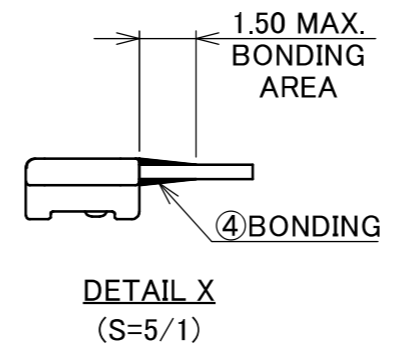
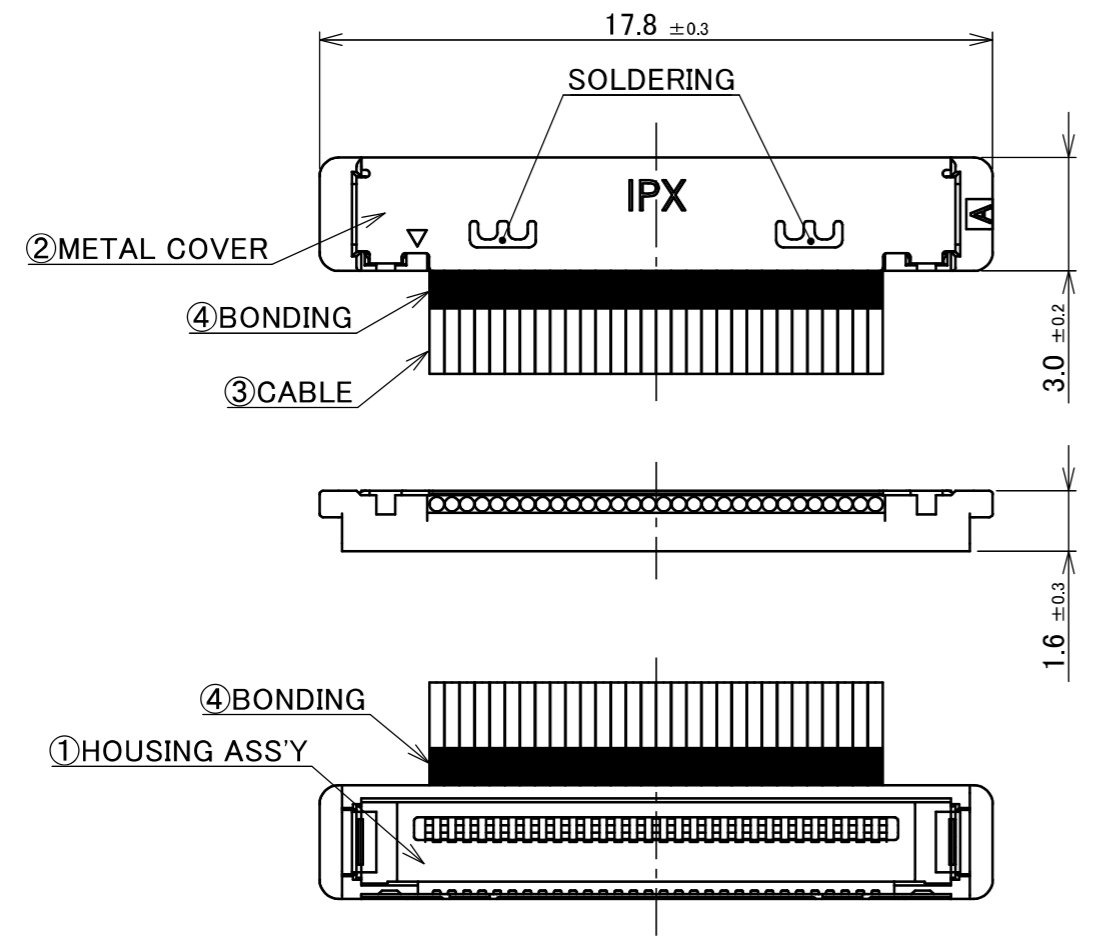


PART No.  
82886-100B-02-D



NOTE.  
1. TO HANDLE THIS CONNECTOR YOU MUST READ AND FOLLOW THE INSTRUCTION MANUAL BELOW. I-PEX INSTRUCTION MANUAL No.HIM-04001.  
2. ELECTRIC CHARACTERISTICS  
WITHSTANDVOLTAGE : AC 250V LEAKAGE CURRENT 2.0mA MAX.  
INSULATION RESISTANCE : 50MΩ MIN. DC 100V  
3. THE OPERATING TEMPERATURE OF THE HARNESS : 80°C MAX.

CONNECTOR 1&2  
(S=5/1)



PIN ASSIGNMENT		
CONNECTOR 1	CABLE	CONNECTOR 2
30	MICRO-COAXIAL CABLE AWG#40 50 OHM, BLUE	1
29	MICRO-COAXIAL CABLE AWG#40 50 OHM, BLUE	2
·	MICRO-COAXIAL CABLE AWG#40 50 OHM, BLUE	·
·	MICRO-COAXIAL CABLE AWG#40 50 OHM, BLUE	·
·	MICRO-COAXIAL CABLE AWG#40 50 OHM, BLUE	·
2	MICRO-COAXIAL CABLE AWG#40 50 OHM, BLUE	29
1	MICRO-COAXIAL CABLE AWG#40 50 OHM, BLUE	30

NO.	DESCRIPTION	PARTS NO.	QTY	REMARKS																																								
5	ACETATE TAPE	-	3	BLACK																																								
4	BONDING	-	-	UV GLUE																																								
3	CABLE	-	30	MICRO-COAXIAL CABLE AWG #40, 50 OHM, BLUE																																								
2	METAL COVER	2182-030-03	2	CONNECTOR 1&2 CABLIN <sup>®</sup> -SS PLUG P/N : 20380-R30T-06 CONNECTOR TO BE MATED : 20374-R30E-31																																								
1	HOUSING ASS'Y	20373-R30T-06	2																																									
<table border="1"> <tr> <td>ANGLE</td> <td>±2°</td> <td>6 OVER 30 MAX.</td> <td>±0.3</td> <td rowspan="2">PROJECTION ⊕</td> <td rowspan="2">SERIES No. IH-200016</td> <td rowspan="2">CUSTOMER COPY</td> </tr> <tr> <td></td> <td>6 MAX.</td> <td>±0.2</td> <td>30 OVER 120 MAX.</td> <td>±0.5</td> </tr> <tr> <td colspan="4">GENERAL TOLERANCE.</td> <td colspan="2">TITLE</td> <td rowspan="2">SCALE 2:1</td> </tr> <tr> <td colspan="4">DWG. K.Fukutomi</td> <td colspan="2">DATE 2026/04/08</td> <td rowspan="2">UNIT mm</td> </tr> <tr> <td colspan="4">CHK. R.Takei</td> <td colspan="2">DWG. No. 82886</td> <td rowspan="2">SHEET 1/1</td> </tr> <tr> <td colspan="4">REV. ECN BY DATE APP.</td> <td colspan="2">T.Masunaga</td> <td>REV. 0</td> </tr> </table>					ANGLE	±2°	6 OVER 30 MAX.	±0.3	PROJECTION ⊕	SERIES No. IH-200016	CUSTOMER COPY		6 MAX.	±0.2	30 OVER 120 MAX.	±0.5	GENERAL TOLERANCE.				TITLE		SCALE 2:1	DWG. K.Fukutomi				DATE 2026/04/08		UNIT mm	CHK. R.Takei				DWG. No. 82886		SHEET 1/1	REV. ECN BY DATE APP.				T.Masunaga		REV. 0
ANGLE	±2°	6 OVER 30 MAX.	±0.3	PROJECTION ⊕	SERIES No. IH-200016	CUSTOMER COPY																																						
	6 MAX.	±0.2	30 OVER 120 MAX.				±0.5																																					
GENERAL TOLERANCE.				TITLE		SCALE 2:1																																						
DWG. K.Fukutomi				DATE 2026/04/08			UNIT mm																																					
CHK. R.Takei				DWG. No. 82886		SHEET 1/1																																						
REV. ECN BY DATE APP.				T.Masunaga			REV. 0																																					
REVISION RECORD																																												

Confidential C

I-PEX Inc.

QKE-DFE06-02 REV.12