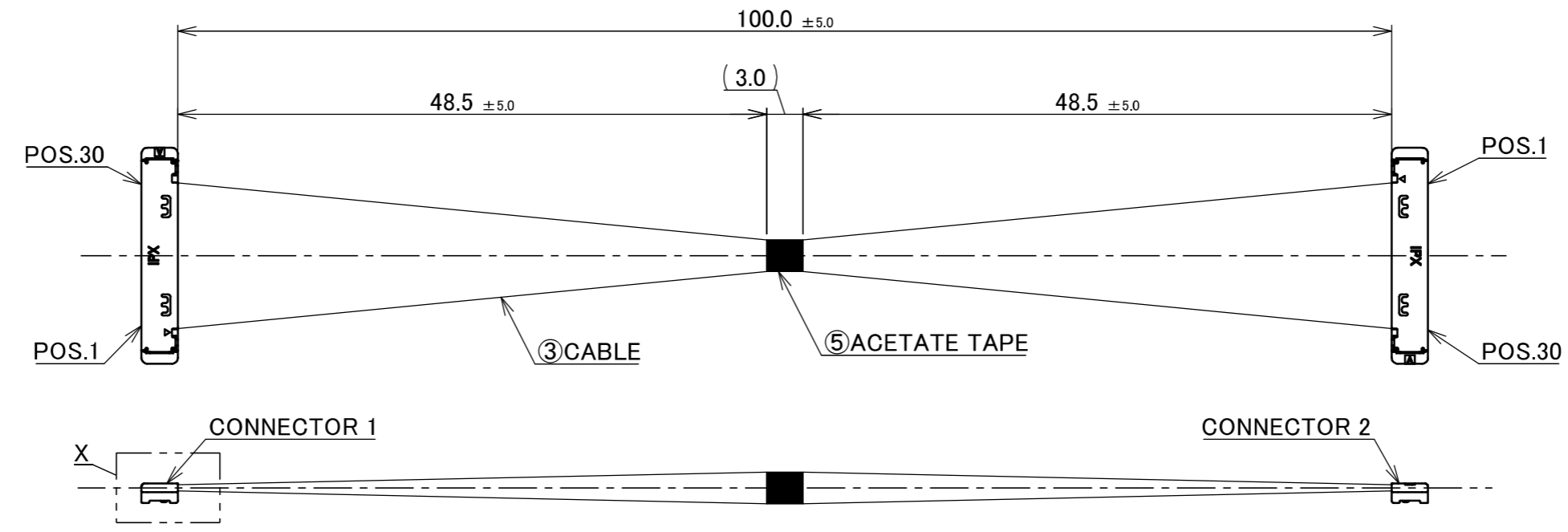
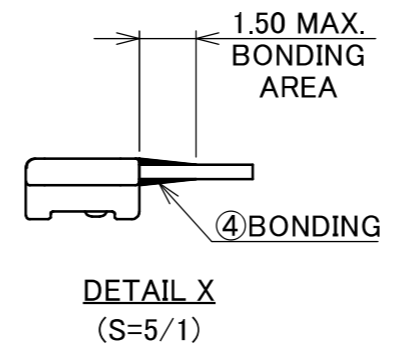
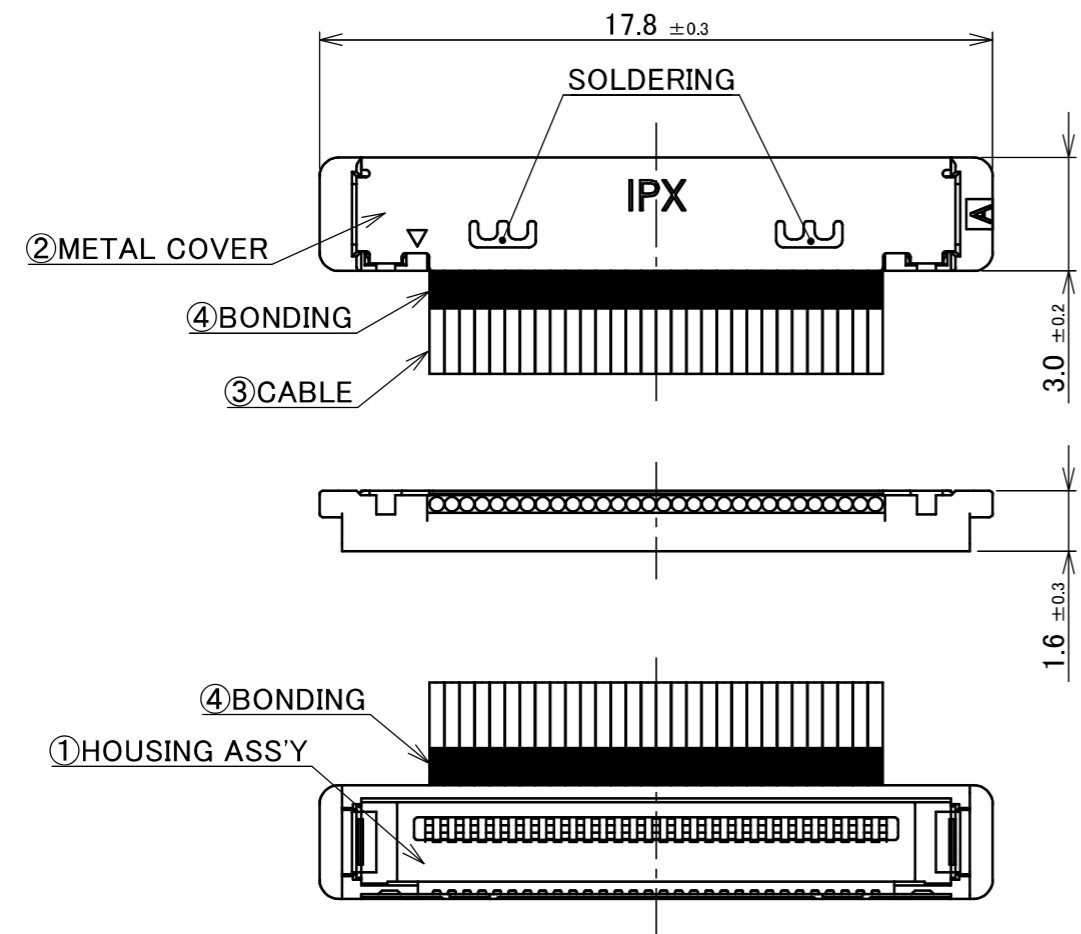


PART No.
82885-100B-02-D



NOTE.
1. TO HANDLE THIS CONNECTOR
YOU MUST READ AND FOLLOW THE INSTRUCTION MANUAL BELOW.
I-PEX INSTRUCTION MANUAL No.HIM-04001.
2. ELECTRIC CHARACTERISTICS
WITHSTANDVOLTAGE : AC 250V LEAKAGE CURRENT 2.0mA MAX.
INSULATION RESISTANCE : 50MΩ MIN. DC 100V
3. THE OPERATING TEMPERATURE OF THE HARNESS : 80°C MAX.

CONNECTOR 1&2
(S=5/1)



PIN ASSIGNMENT		
CONNECTOR 1	CABLE	CONNECTOR 2
30	MICRO-COAXIAL CABLE AWG#40 50 OHM, BLUE	1
29	MICRO-COAXIAL CABLE AWG#40 50 OHM, BLUE	2
·	MICRO-COAXIAL CABLE AWG#40 50 OHM, BLUE	·
·	MICRO-COAXIAL CABLE AWG#40 50 OHM, BLUE	·
·	MICRO-COAXIAL CABLE AWG#40 50 OHM, BLUE	·
2	MICRO-COAXIAL CABLE AWG#40 50 OHM, BLUE	29
1	MICRO-COAXIAL CABLE AWG#40 50 OHM, BLUE	30

NO.	DESCRIPTION	PARTS NO.	QTY	REMARKS																																																																	
5	ACETATE TAPE	-	1	BLACK																																																																	
4	BONDING	-	-	UV GLUE																																																																	
3	CABLE	-	30	MICRO-COAXIAL CABLE AWG #40, 50 OHM, BLUE																																																																	
2	METAL COVER	2182-030-03	2	CONNECTOR 1&2 CABLIN [®] -SS PLUG P/N : 20380-R30T-06 CONNECTOR TO BE MATED : 20374-R30E-31																																																																	
1	HOUSING ASS'Y	20373-R30T-06	2																																																																		
<table border="1"> <tr> <td>ANGLE</td> <td>±2°</td> <td>6 OVER 30 MAX.</td> <td>±0.3</td> <td rowspan="2">PROJECTION ⊕</td> <td rowspan="2">SERIES No. IH-200016</td> <td rowspan="2">CUSTOMER COPY</td> </tr> <tr> <td></td> <td>6 MAX.</td> <td>±0.2</td> <td>30 OVER 120 MAX.</td> <td>±0.5</td> </tr> <tr> <td colspan="4">GENERAL TOLERANCE.</td> <td>TITLE</td> <td>SCALE</td> <td rowspan="3">I-PEX</td> </tr> <tr> <td colspan="4">DWG. K.Fukutomi</td> <td>DATE 2026/04/08</td> <td>2:1</td> </tr> <tr> <td colspan="4">CHK. R.Takei</td> <td></td> <td>UNIT</td> </tr> <tr> <td>0</td> <td>ZM00758</td> <td>K.Fu</td> <td>2026/04/08</td> <td>-</td> <td>mm</td> <td></td> </tr> <tr> <td>REV.</td> <td>ECN</td> <td>BY</td> <td>DATE</td> <td>APP.</td> <td>DWG. No.</td> <td>SIZE</td> <td>SHEET</td> <td>REV.</td> </tr> <tr> <td colspan="5">REVISION RECORD</td> <td>82885</td> <td>A3</td> <td>1/1</td> <td>0</td> </tr> <tr> <td colspan="5"></td> <td>T.Masunaga</td> <td></td> <td></td> <td></td> </tr> </table>					ANGLE	±2°	6 OVER 30 MAX.	±0.3	PROJECTION ⊕	SERIES No. IH-200016	CUSTOMER COPY		6 MAX.	±0.2	30 OVER 120 MAX.	±0.5	GENERAL TOLERANCE.				TITLE	SCALE	I-PEX	DWG. K.Fukutomi				DATE 2026/04/08	2:1	CHK. R.Takei					UNIT	0	ZM00758	K.Fu	2026/04/08	-	mm		REV.	ECN	BY	DATE	APP.	DWG. No.	SIZE	SHEET	REV.	REVISION RECORD					82885	A3	1/1	0						T.Masunaga			
ANGLE	±2°	6 OVER 30 MAX.	±0.3	PROJECTION ⊕	SERIES No. IH-200016	CUSTOMER COPY																																																															
	6 MAX.	±0.2	30 OVER 120 MAX.				±0.5																																																														
GENERAL TOLERANCE.				TITLE	SCALE	I-PEX																																																															
DWG. K.Fukutomi				DATE 2026/04/08	2:1																																																																
CHK. R.Takei					UNIT																																																																
0	ZM00758	K.Fu	2026/04/08	-	mm																																																																
REV.	ECN	BY	DATE	APP.	DWG. No.	SIZE	SHEET	REV.																																																													
REVISION RECORD					82885	A3	1/1	0																																																													
					T.Masunaga																																																																

Confidential C

I-PEX Inc.

QKE-DFE06-02 REV.12