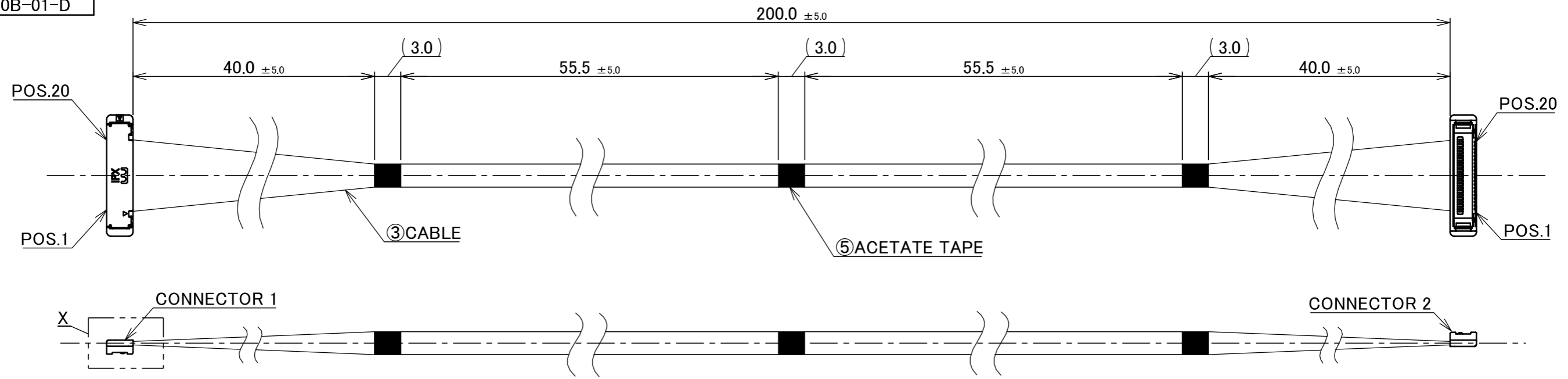
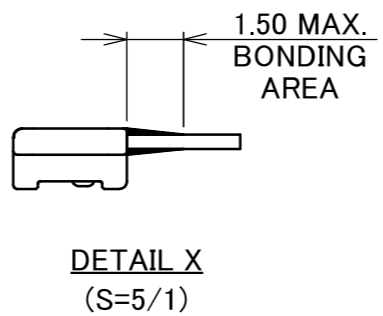
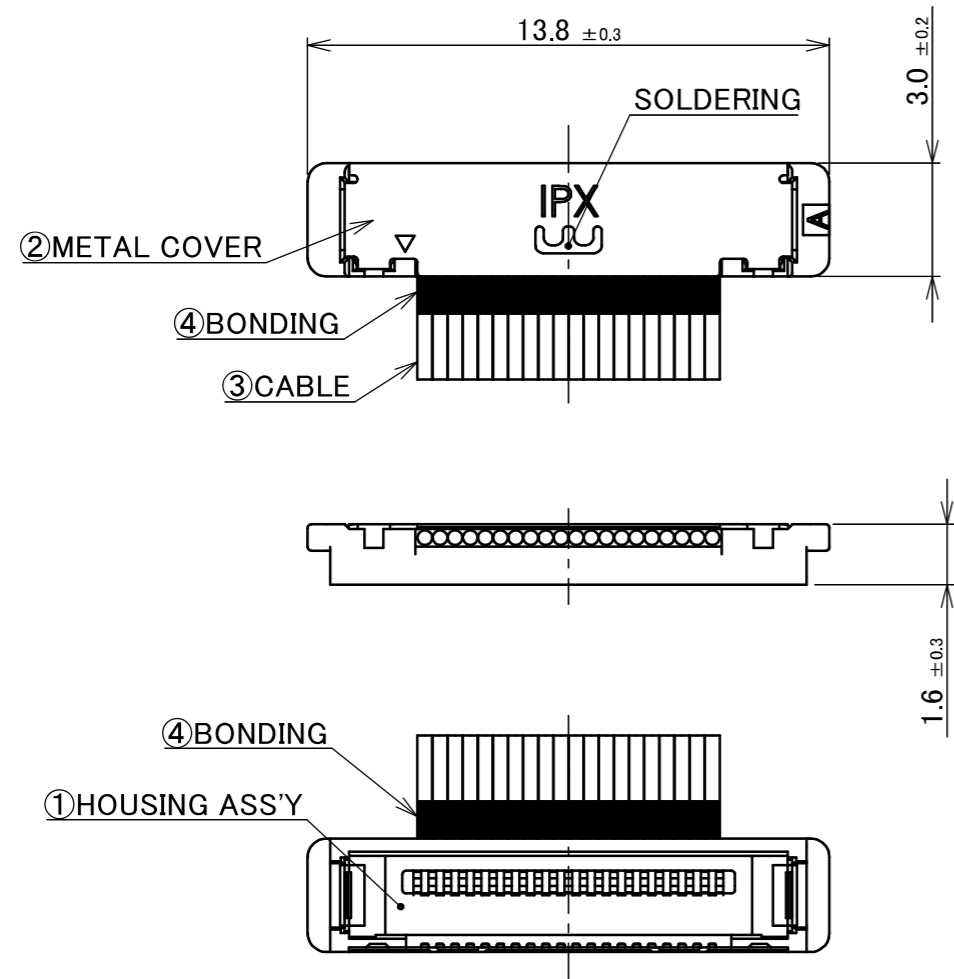


PART NO.
83014-100B-01-D



CONNECTOR 1&2
(S=5/1)



NOTE.

1. TO HANDLE THIS CONNECTOR YOU MUST READ AND FOLLOW THE INSTRUCTION MANUAL BELOW. I-PEX INSTRUCTION MANUAL No.HIM-04001.
2. ELECTRIC CHARACTERISTICS
WITHSTANDVOLTAGE : AC 250V LEAKAGE CURRENT 2.0mA MAX.
INSULATION RESISTANCE : 50MΩ MIN. DC 100V
3. THE OPERATING TEMPERATURE OF THE HARNESS : 80°C MAX.

PIN ASSIGNMENT		
CONNECTOR 1	CABLE	CONNECTOR 2
20	MICRO-COAXIAL CABLE AWG#40 50 OHM, BLUE	20
19	MICRO-COAXIAL CABLE AWG#40 50 OHM, BLUE	19
.	MICRO-COAXIAL CABLE AWG#40 50 OHM, BLUE	.
.	MICRO-COAXIAL CABLE AWG#40 50 OHM, BLUE	.
.	MICRO-COAXIAL CABLE AWG#40 50 OHM, BLUE	.
2	MICRO-COAXIAL CABLE AWG#40 50 OHM, BLUE	2
1	MICRO-COAXIAL CABLE AWG#40 50 OHM, BLUE	1

NO.	DESCRIPTION	PARTS NO.	QTY	REMARKS
5	ACETATE TAPE	-	3	BLACK
4	BONDING	-	-	UV GLUE
3	CABLE	-	20	MICRO-COAXIAL CABLE AWG #40, 50 OHM, BLUE
2	METAL COVER	2182-020-03	2	CONNECTOR 1&2 CABLIN [®] -SS PLUG P/N : 20380-R20T-06 CONNECTOR TO BE MATED : 20374-R20E-31
1	HOUSING ASS'Y	20373-R20T-06	2	

REVISION RECORD				ANGLE ±2° 6 OVER 30 MAX. ±0.3 6 MAX. ±0.2 30 OVER 120 MAX. ±0.5 DWG. K.Fukutomi DATE 2026/05/29 CHK. R.Takei APP. T.Masunaga	PROJECTION 	SERIES No. IH-200016	CUSTOMER COPY
GENERAL TOLERANCE.				TITLE CABLIN [®] -SS 20P HARNESS		SCALE 2:1	UNIT mm
0	ZM00917	K.Fu	2026/05/29	DWG. No. 83014		SIZE A3	
REV.	ECN	BY	DATE	APP.	DWG. No. 83014		REV. 0