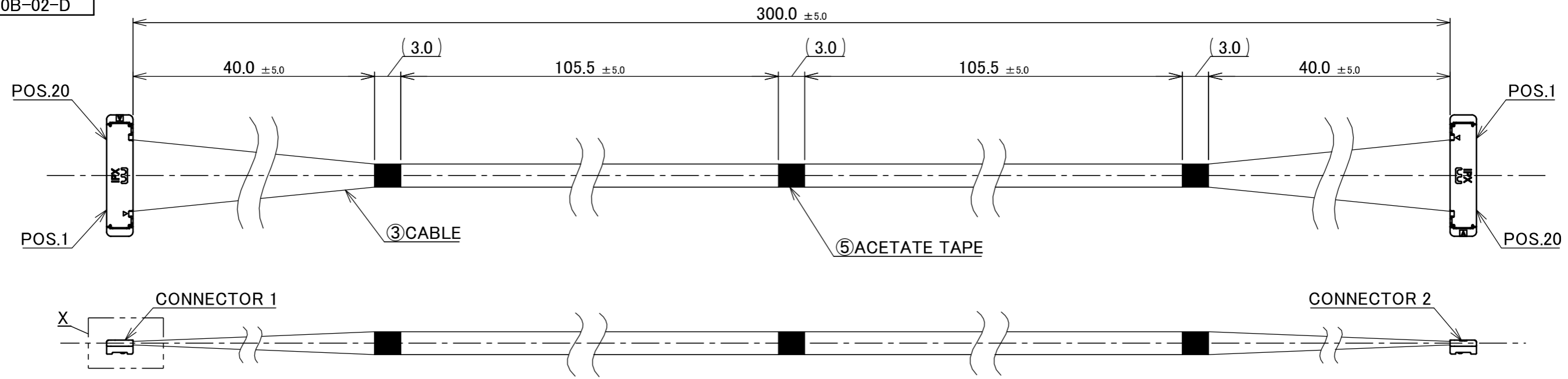
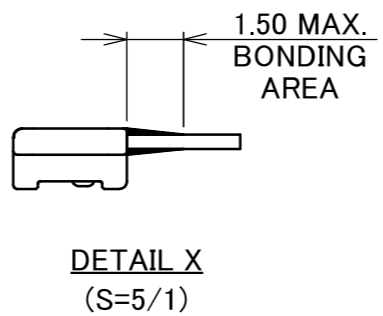
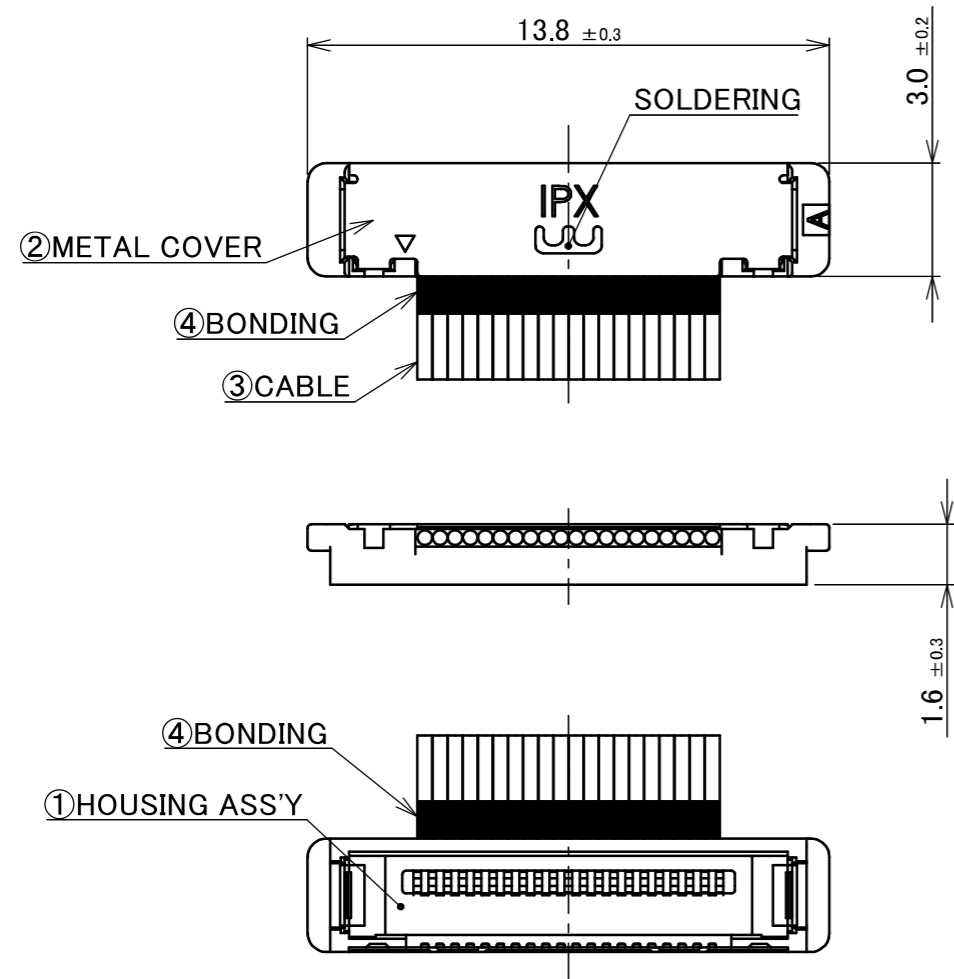


PART NO.  
82884-100B-02-D



CONNECTOR 1&2  
(S=5/1)



NOTE.

1. TO HANDLE THIS CONNECTOR YOU MUST READ AND FOLLOW THE INSTRUCTION MANUAL BELOW. I-PEX INSTRUCTION MANUAL No.HIM-04001.

2. ELECTRIC CHARACTERISTICS  
WITHSTANDVOLTAGE : AC 250V LEAKAGE CURRENT 2.0mA MAX.  
INSULATION RESISTANCE : 50MΩ MIN. DC 100V

3. THE OPERATING TEMPERATURE OF THE HARNESS : 80°C MAX.

PIN ASSIGNMENT		
CONNECTOR 1	CABLE	CONNECTOR 2
20	MICRO-COAXIAL CABLE AWG#40 50 OHM, BLUE	1
19	MICRO-COAXIAL CABLE AWG#40 50 OHM, BLUE	2
.	MICRO-COAXIAL CABLE AWG#40 50 OHM, BLUE	.
.	MICRO-COAXIAL CABLE AWG#40 50 OHM, BLUE	.
.	MICRO-COAXIAL CABLE AWG#40 50 OHM, BLUE	.
2	MICRO-COAXIAL CABLE AWG#40 50 OHM, BLUE	19
1	MICRO-COAXIAL CABLE AWG#40 50 OHM, BLUE	20

NO.	DESCRIPTION	PARTS NO.	QTY	REMARKS
5	ACETATE TAPE	-	3	BLACK
4	BONDING	-	-	UV GLUE
3	CABLE	-	20	MICRO-COAXIAL CABLE AWG #40, 50 OHM, BLUE
2	METAL COVER	2182-020-03	2	CONNECTOR 1&2 CABLIN <sup>®</sup> -SS PLUG P/N : 20380-R20T-06 CONNECTOR TO BE MATED : 20374-R20E-31
1	HOUSING ASS'Y	20373-R20T-06	2	

				ANGLE ±2° 6 OVER 30 MAX. ±0.3	PROJECTION ⊕	SERIES No. IH-200016	CUSTOMER COPY
				6 MAX. ±0.2 30 OVER 120 MAX. ±0.5			
				GENERAL TOLERANCE.		TITLE CABLIN <sup>®</sup> -SS 20P HARNESS	SCALE 2:1
				DWG. K.Fukutomi	DATE 2026/04/08		UNIT mm
				CHK. R.Takei	APP. T.Masunaga		SIZE A3
0	ZM00758	K.Fu	2026/04/08	-	DWG. No. 82884		SHEET 1/1
REV.	ECN	BY	DATE	APP.	82884		REV. 0

REVISION RECORD				T.Masunaga		82884		A3		1/1		0	
-----------------	--	--	--	------------	--	-------	--	----	--	-----	--	---	--