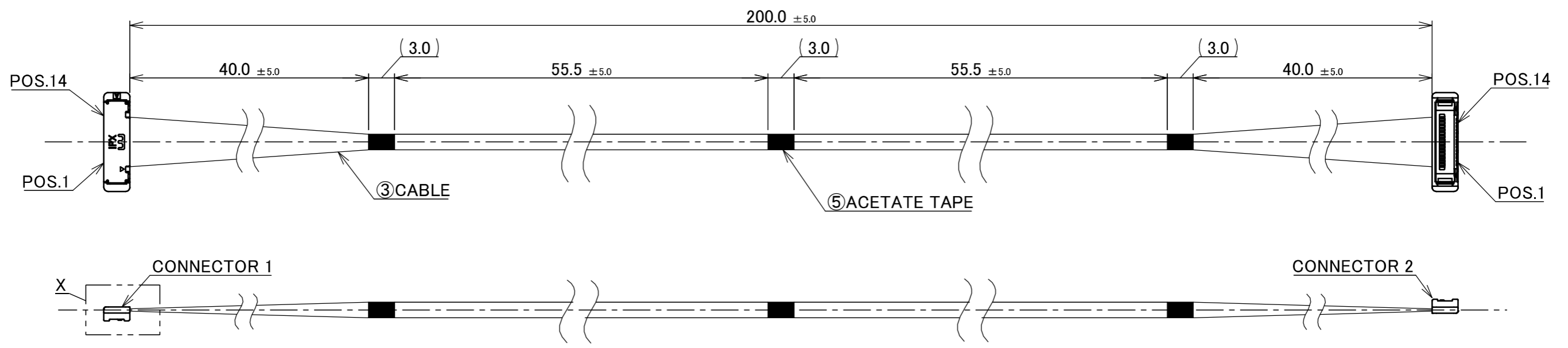
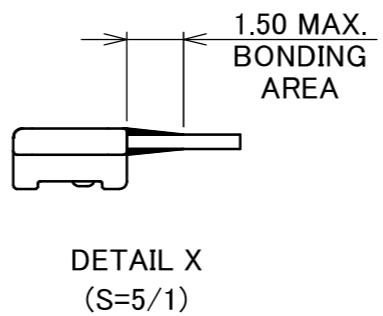
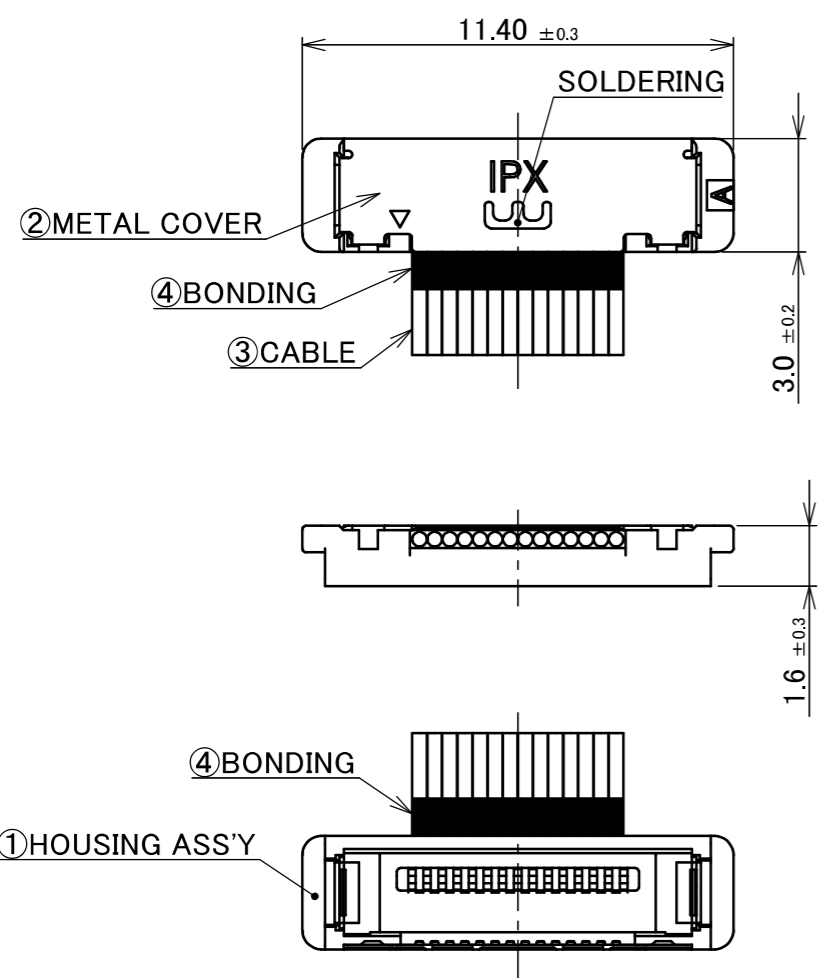


PART NO.  
83011-100B-01-D



CONNECTOR 1&2  
(S=5/1)



PIN ASSIGNMENT		
CONNECTOR 1	CABLE	CONNECTOR 2
14	MICRO-COAXIAL CABLE AWG#40 50 OHM, BLUE	14
13	MICRO-COAXIAL CABLE AWG#40 50 OHM, BLUE	13
⋮	MICRO-COAXIAL CABLE AWG#40 50 OHM, BLUE	⋮
2	MICRO-COAXIAL CABLE AWG#40 50 OHM, BLUE	2
1	MICRO-COAXIAL CABLE AWG#40 50 OHM, BLUE	1

NOTE.  
 1. TO HANDLE THIS CONNECTOR YOU MUST READ AND FOLLOW THE INSTRUCTION MANUAL BELOW. I-PEX INSTRUCTION MANUAL No.HIM-04001.  
 2. ELECTRIC CHARACTERISTICS  
 WITHSTANDVOLTAGE : AC 250V LEAKAGE CURRENT 2.0mA MAX.  
 INSULATION RESISTANCE : 50MΩ MIN. DC 100V  
 3. THE OPERATING TEMPERATURE OF THE HARNESS : 80°C MAX.  
 4. RATING VOLTAGE : 30V

5	ACETATE TAPE	-	3	BLACK	
4	BONDING	-	-	UV GLUE	
3	CABLE	-	14	MICRO-COAXIAL CABLE AWG #40, 50 OHM, BLUE	
2	METAL COVER	2182-014-03	2	CONNECTOR 1&2 CABLIN <sup>®</sup> -SS PLUG P/N : 20380-R14T-06	
1	HOUSING ASSEMBLY	20373-R14T-06	2	CONNECTOR TO BE MATED : 20374-R14E-31	
NO.	DESCRIPTION	PARTS NO.	QTY	REMARKS	
			ANGLE ±2° 6 OVER 30 MAX. ±0.3 6 MAX. ±0.2 30 OVER 120 MAX. ±0.5	PROJECTION SERIES No. IH-200016 CUSTOMER COPY	
			GENERAL TOLERANCE.	TITLE CABLIN <sup>®</sup> -SS 14P HARNESS	
			DWG. K.Fukutomi DATE 2026/05/29	SCALE 2:1 UNIT mm	
			CHK. R.Takei	I-PEX	
0	ZM00917	K.Fu	2026/05/29		mm
REV.	ECN	BY	DATE	APP.	DWG. No. 83011
REVISION RECORD					SIZE A3 SHEET 1/1 REV. 0
					T.Masunaga

Confidential C

I-PEX Inc.

QKE-DFE06-02 REV.12