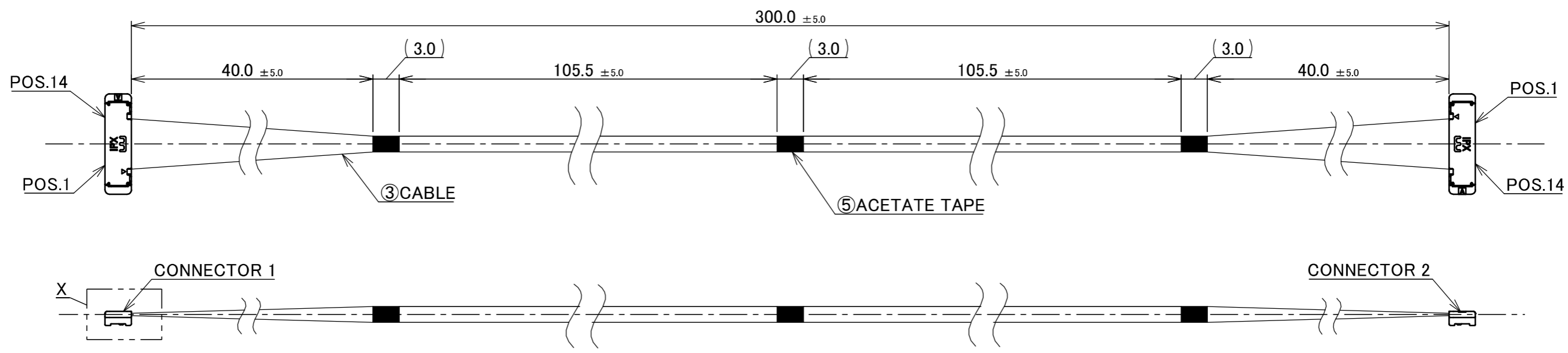
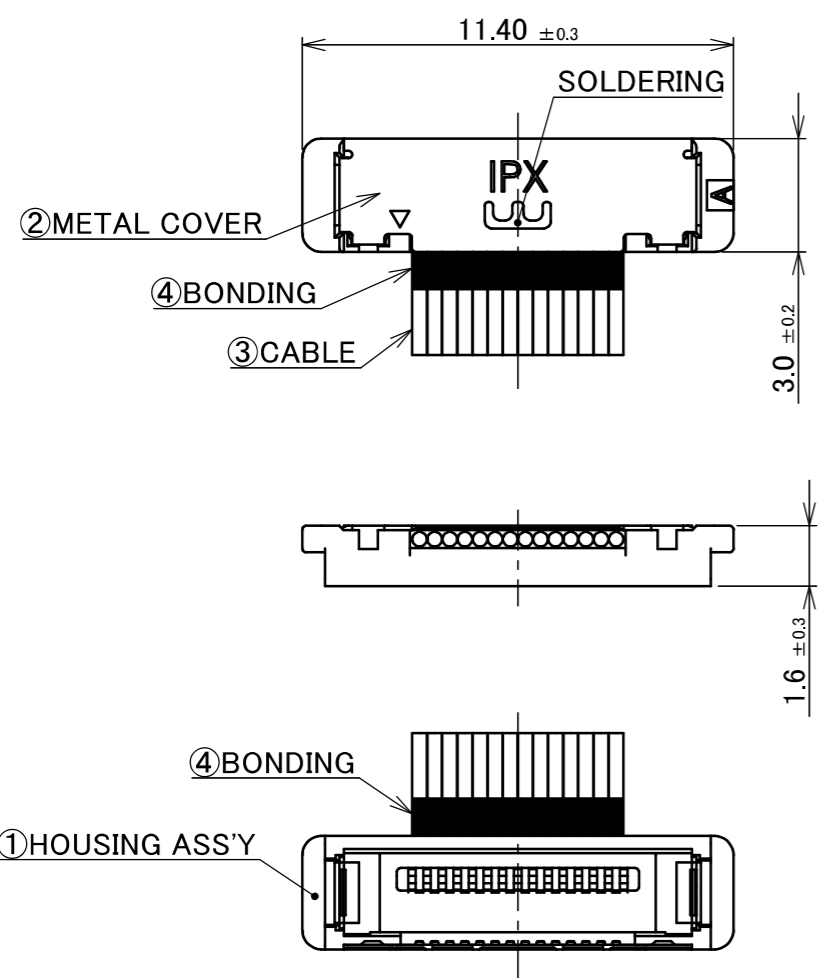


PART NO.
82882-100B-02-D



CONNECTOR 1&2
(S=5/1)



PIN ASSIGNMENT		
CONNECTOR 1	CABLE	CONNECTOR 2
14	MICRO-COAXIAL CABLE AWG#40 50 OHM, BLUE	1
13	MICRO-COAXIAL CABLE AWG#40 50 OHM, BLUE	2
⋮	MICRO-COAXIAL CABLE AWG#40 50 OHM, BLUE	⋮
2	MICRO-COAXIAL CABLE AWG#40 50 OHM, BLUE	13
1	MICRO-COAXIAL CABLE AWG#40 50 OHM, BLUE	14

- NOTE.
- TO HANDLE THIS CONNECTOR YOU MUST READ AND FOLLOW THE INSTRUCTION MANUAL BELOW. I-PEX INSTRUCTION MANUAL No.HIM-04001.
 - ELECTRIC CHARACTERISTICS
WITHSTANDVOLTAGE : AC 250V LEAKAGE CURRENT 2.0mA MAX.
INSULATION RESISTANCE : 50MΩ MIN. DC 100V
 - THE OPERATING TEMPERATURE OF THE HARNESS : 80°C MAX.
 - RATING VOLTAGE : 30V

5	ACETATE TAPE	-	3	BLACK
4	BONDING	-	-	UV GLUE
3	CABLE	-	14	MICRO-COAXIAL CABLE AWG #40, 50 OHM, BLUE
2	METAL COVER	2182-014-03	2	CONNECTOR 1&2 CABLIN [®] -SS PLUG P/N : 20380-R14T-06
1	HOUSING ASSEMBLY	20373-R14T-06	2	CONNECTOR TO BE MATED : 20374-R14E-31
NO.	DESCRIPTION	PARTS NO.	QTY	REMARKS

REVISION RECORD					ANGLE ±2° 6 OVER 30 MAX. ±0.3 6 MAX. ±0.2 30 OVER 120 MAX. ±0.5	PROJECTION 	SERIES No. IH-200016	CUSTOMER COPY		
0 ZM00758 K.Fu 2026/04/08 -					GENERAL TOLERANCE. DWG. K.Fukutomi DATE 2026/04/08 CHK. R.Takei		TITLE CABLINE [®] -SS 14P HARNESS		SCALE 2:1	
REV.	ECN	BY	DATE	APP.	APP. T.Masunaga	DWG. No. 82882	SIZE A3	SHEET 1/1	REV. 0	

Confidential C

I-PEX Inc.

QKE-DFE06-02 REV.12