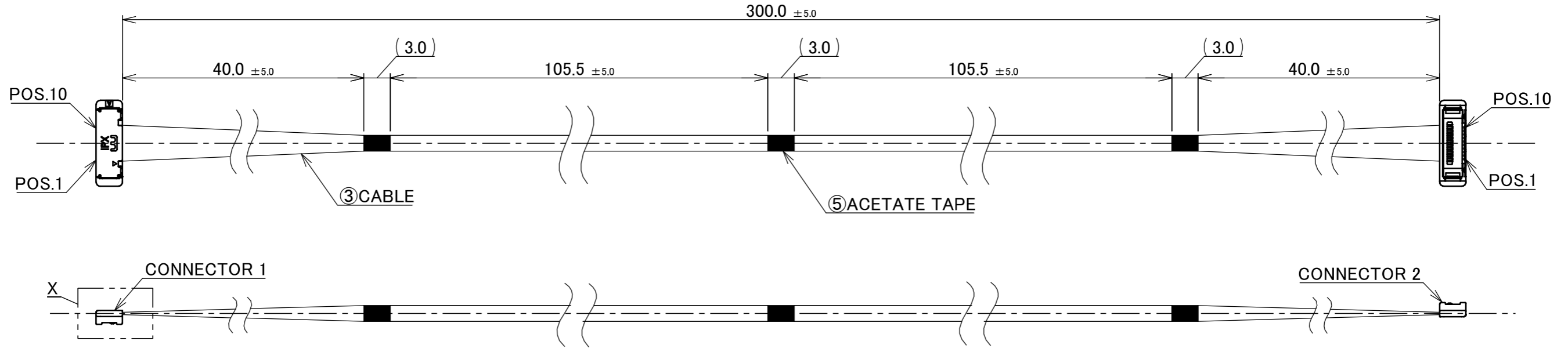
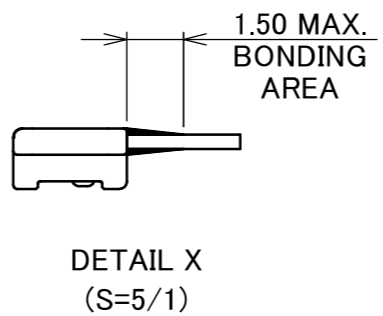
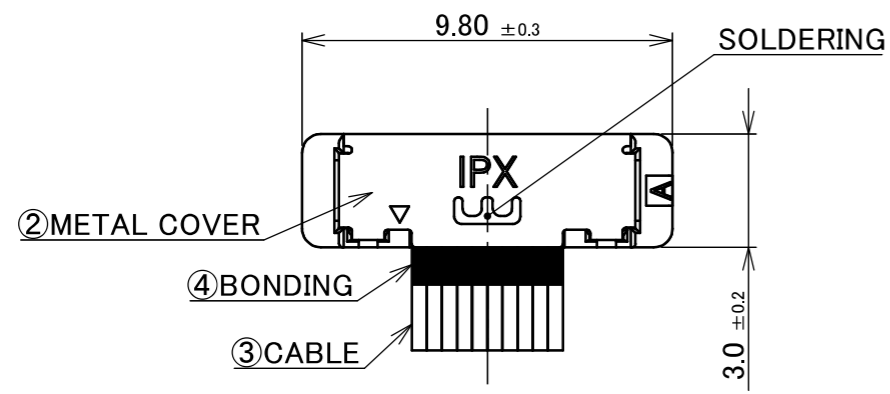


PART NO.
83009-100B-01-D

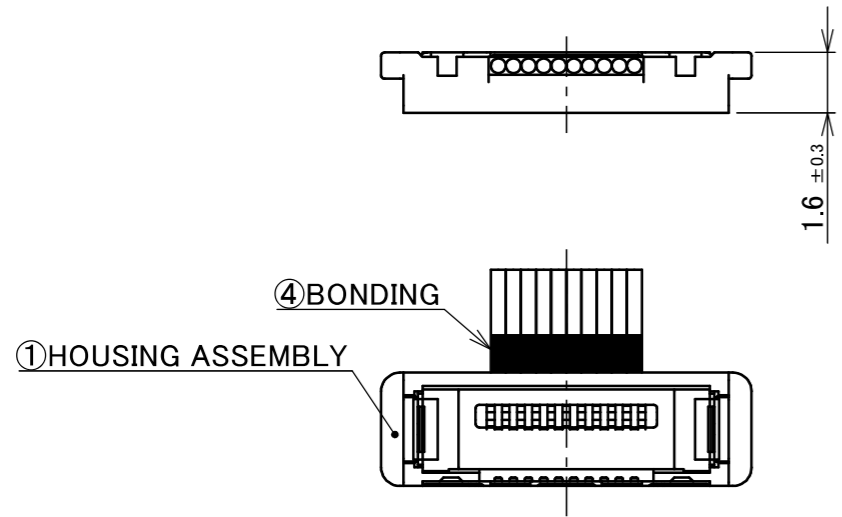


CONNECTOR 1&2
(S=5/1)

PIN ASSIGNMENT		
CONNECTOR 1	CABLE	CONNECTOR 2
10	MICRO-COAXIAL CABLE AWG#40 50 OHM, BLUE	10
9	MICRO-COAXIAL CABLE AWG#40 50 OHM, BLUE	9
.	MICRO-COAXIAL CABLE AWG#40 50 OHM, BLUE	.
2	MICRO-COAXIAL CABLE AWG#40 50 OHM, BLUE	2
1	MICRO-COAXIAL CABLE AWG#40 50 OHM, BLUE	1



NOTE.
1. TO HANDLE THIS CONNECTOR YOU MUST READ AND FOLLOW THE INSTRUCTION MANUAL BELOW. I-PEX INSTRUCTION MANUAL No.HIM-04001.
2. ELECTRIC CHARACTERISTICS
WITHSTANDVOLTAGE : AC 250V LEAKAGE CURRENT 2.0mA MAX.
INSULATION RESISTANCE : 50MΩ MIN. DC 100V
3. THE OPERATING TEMPERATURE OF THE HARNESS : 80°C MAX.
4. RATING VOLTAGE : 30V



5	ACETATE TAPE	-	3	BLACK
4	BONDING	-	-	UV GLUE
3	CABLE	-	10	MICRO-COAXIAL CABLE AWG #40, 50 OHM, BLUE
2	METAL COVER	2182-010-03	2	CONNECTOR 1&2 CABLIN [®] -SS PLUG P/N : 20380-R10T-06
1	HOUSING ASSEMBLY	20373-R10T-06	2	CONNECTOR TO BE MATED : 20374-R10E-31
NO.	DESCRIPTION	PARTS NO.	QTY	REMARKS

<table border="0"> <tr> <td>ANGLE</td> <td>±2°</td> <td>6 OVER 30 MAX.</td> <td>±0.3</td> <td rowspan="2">PROJECTION </td> <td rowspan="2">SERIES No. IH-200016</td> <td rowspan="2">CUSTOMER COPY</td> </tr> <tr> <td></td> <td>6 MAX.</td> <td>±0.2</td> <td>30 OVER 120 MAX.</td> <td>±0.5</td> </tr> </table>					ANGLE	±2°	6 OVER 30 MAX.	±0.3	PROJECTION 	SERIES No. IH-200016	CUSTOMER COPY		6 MAX.	±0.2	30 OVER 120 MAX.	±0.5	TITLE CABLIN [®] -SS 10P HARNESS	SCALE 2:1	UNIT mm	SHEET 1/1	REV. 0
ANGLE	±2°	6 OVER 30 MAX.	±0.3	PROJECTION 	SERIES No. IH-200016	CUSTOMER COPY															
	6 MAX.	±0.2	30 OVER 120 MAX.				±0.5														
GENERAL TOLERANCE.																					
DWG. K.Fukutomi					DATE 2026/05/29		DWG. No. 83009	SIZE A3	SHEET 1/1	REV. 0											
CHK. R.Takei					APP. T.Masunaga																
0	ZM00917	K.Fu	2026/05/29	-	REVISION RECORD																

Confidential C

I-PEX Inc.

QKE-DFE06-02 REV.12