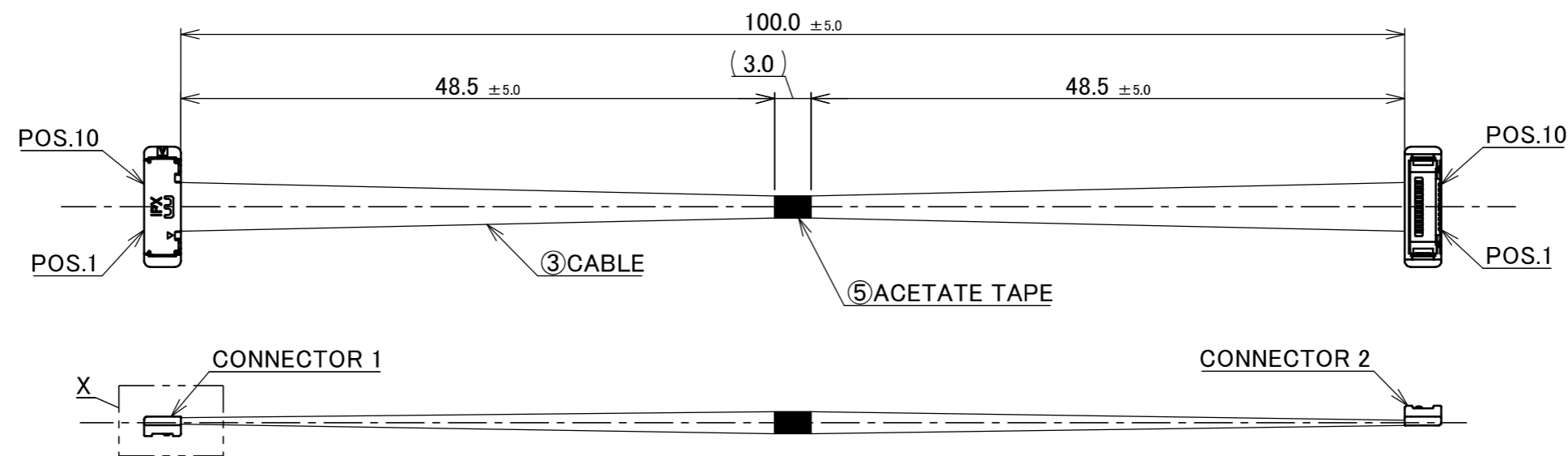
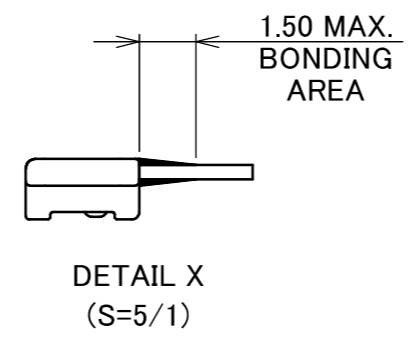
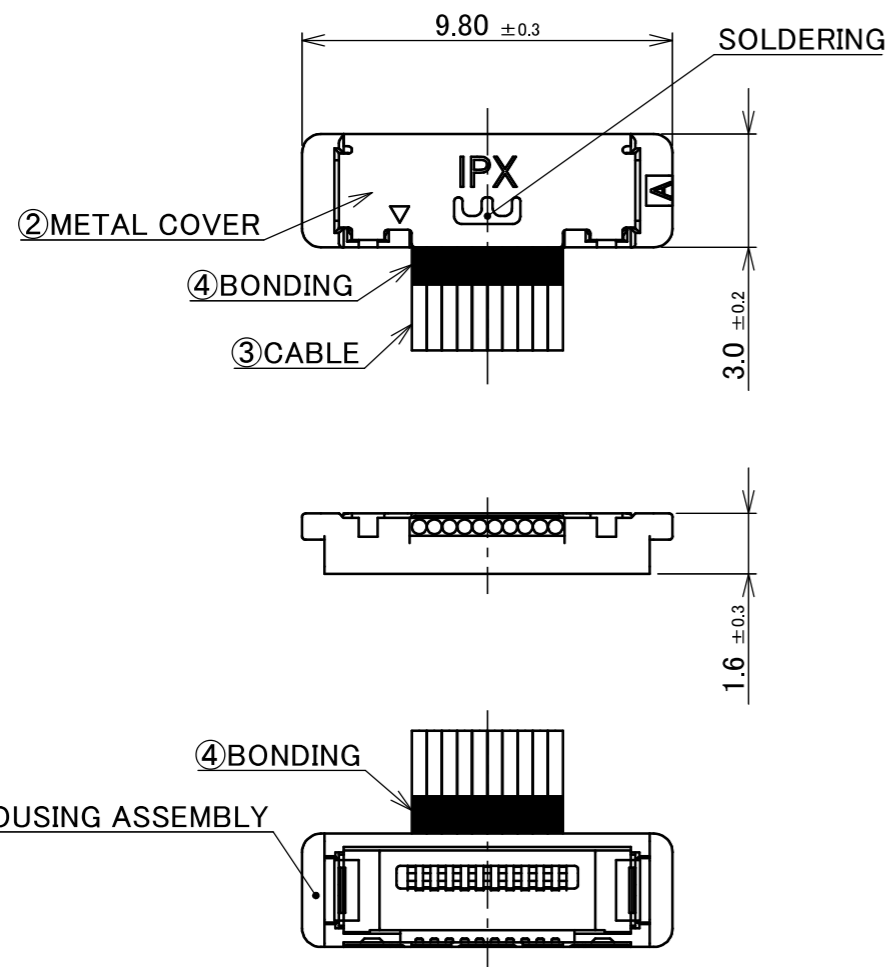


PART NO.
83007-100B-01-D



CONNECTOR 1&2
(S=5/1)



PIN ASSIGNMENT		
CONNECTOR 1	CABLE	CONNECTOR 2
10	MICRO-COAXIAL CABLE AWG#40 50 OHM, BLUE	10
9	MICRO-COAXIAL CABLE AWG#40 50 OHM, BLUE	9
.	MICRO-COAXIAL CABLE AWG#40 50 OHM, BLUE	.
2	MICRO-COAXIAL CABLE AWG#40 50 OHM, BLUE	2
1	MICRO-COAXIAL CABLE AWG#40 50 OHM, BLUE	1

NOTE.
1. TO HANDLE THIS CONNECTOR YOU MUST READ AND FOLLOW THE INSTRUCTION MANUAL BELOW. I-PEX INSTRUCTION MANUAL No. HIM-04001.
2. ELECTRIC CHARACTERISTICS
WITHSTAND VOLTAGE : AC 250V LEAKAGE CURRENT 2.0mA MAX.
INSULATION RESISTANCE : 50MΩ MIN. DC 100V
3. THE OPERATING TEMPERATURE OF THE HARNESS : 80°C MAX.
4. RATING VOLTAGE : 30V

5	ACETATE TAPE	-	1	BLACK	
4	BONDING	-	-	UV GLUE	
3	CABLE	-	10	MICRO-COAXIAL CABLE AWG #40, 50 OHM, BLUE	
2	METAL COVER	2182-010-03	2	CONNECTOR 1&2 CABLIN [®] -SS PLUG P/N : 20380-R10T-06	
1	HOUSING ASSEMBLY	20373-R10T-06	2	CONNECTOR TO BE MATED : 20374-R10E-31	
NO.	DESCRIPTION	PARTS NO.	QTY	REMARKS	
			ANGLE ±2° 6 OVER 30 MAX. ±0.3 6 MAX. ±0.2 30 OVER 120 MAX. ±0.5	PROJECTION SERIES No. IH-200016 CUSTOMER COPY	
			GENERAL TOLERANCE.	TITLE CABLIN [®] -SS 10P HARNESS	
			DWG. K.Fukutomi DATE 2026/05/29	SCALE 2:1 UNIT mm	
			CHK. R.Takei	I-PEX	
0	ZM00917	K.Fu	2026/05/29		SIZE A3 SHEET 1/1 REV. 0
REV.	ECN	BY	DATE	APP.	DWG. No. 83007
REVISION RECORD				T.Masunaga	

Confidential C

I-PEX Inc.

QKE-DFE06-02 REV.12