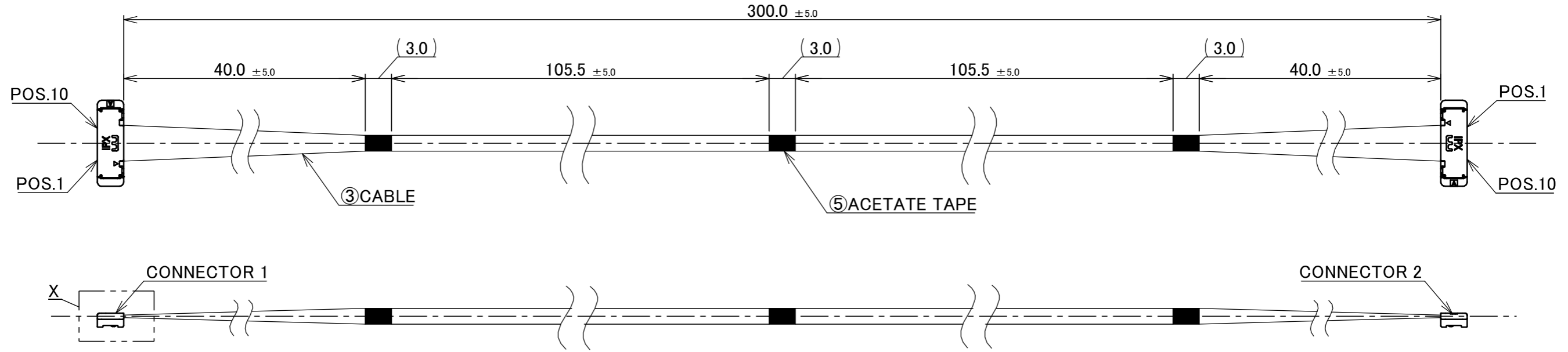


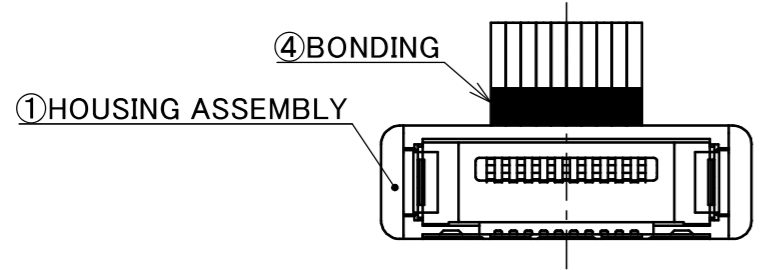
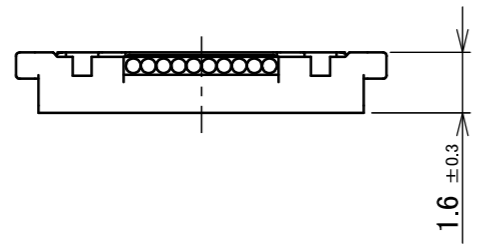
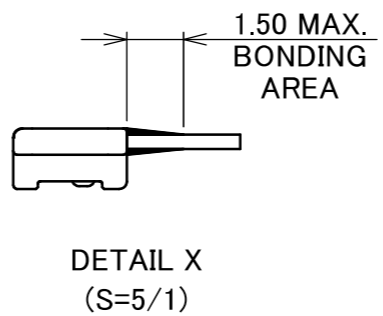
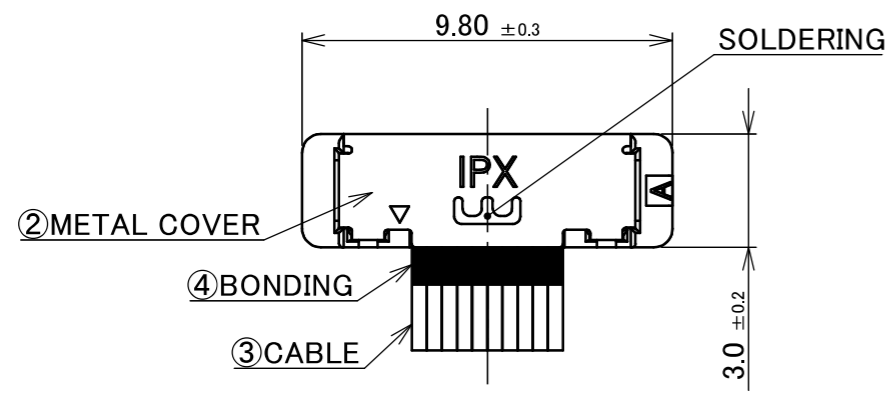
PART NO.
82880-100B-02-D



CONNECTOR 1&2
(S=5/1)

PIN ASSIGNMENT		
CONNECTOR 1	CABLE	CONNECTOR 2
10	MICRO-COAXIAL CABLE AWG#40 50 OHM, BLUE	1
9	MICRO-COAXIAL CABLE AWG#40 50 OHM, BLUE	2
.	MICRO-COAXIAL CABLE AWG#40 50 OHM, BLUE	.
.	MICRO-COAXIAL CABLE AWG#40 50 OHM, BLUE	.
2	MICRO-COAXIAL CABLE AWG#40 50 OHM, BLUE	9
1	MICRO-COAXIAL CABLE AWG#40 50 OHM, BLUE	10

NOTE.
 1. TO HANDLE THIS CONNECTOR YOU MUST READ AND FOLLOW THE INSTRUCTION MANUAL BELOW. I-PEX INSTRUCTION MANUAL No.HIM-04001.
 2. ELECTRIC CHARACTERISTICS
 WITHSTANDVOLTAGE : AC 250V LEAKAGE CURRENT 2.0mA MAX.
 INSULATION RESISTANCE : 50MΩ MIN. DC 100V
 3. THE OPERATING TEMPERATURE OF THE HARNESS : 80°C MAX.
 4. RATING VOLTAGE : 30V



5	ACETATE TAPE	-	3	BLACK
4	BONDING	-	-	UV GLUE
3	CABLE	-	10	MICRO-COAXIAL CABLE AWG #40, 50 OHM, BLUE
2	METAL COVER	2182-010-03	2	CONNECTOR 1&2 CABLIN [®] -SS PLUG P/N : 20380-R10T-06
1	HOUSING ASSEMBLY	20373-R10T-06	2	CONNECTOR TO BE MATED : 20374-R10E-31
NO.	DESCRIPTION	PARTS NO.	QTY	REMARKS

<table border="0"> <tr> <td>ANGLE</td> <td>±2°</td> <td>6 OVER 30 MAX.</td> <td>±0.3</td> <td rowspan="2">PROJECTION ⊕</td> <td rowspan="2">SERIES No. IH-200016</td> <td rowspan="2">CUSTOMER COPY</td> </tr> <tr> <td></td> <td>6 MAX.</td> <td>±0.2</td> <td>30 OVER 120 MAX.</td> <td>±0.5</td> </tr> </table>					ANGLE	±2°	6 OVER 30 MAX.	±0.3	PROJECTION ⊕	SERIES No. IH-200016	CUSTOMER COPY		6 MAX.	±0.2	30 OVER 120 MAX.	±0.5	<table border="0"> <tr> <td colspan="2">GENERAL TOLERANCE.</td> </tr> <tr> <td>DWG.</td> <td>DATE</td> </tr> <tr> <td>K.Fukutomi</td> <td>2026/04/08</td> </tr> <tr> <td>CHK.</td> <td></td> </tr> <tr> <td>R.Takei</td> <td></td> </tr> <tr> <td>APP.</td> <td></td> </tr> <tr> <td>T.Masunaga</td> <td></td> </tr> </table>		GENERAL TOLERANCE.		DWG.	DATE	K.Fukutomi	2026/04/08	CHK.		R.Takei		APP.		T.Masunaga		<table border="0"> <tr> <td>TITLE</td> <td>SCALE</td> </tr> <tr> <td>CABLIN[®]-SS 10P HARNESS</td> <td>2:1</td> </tr> <tr> <td></td> <td>UNIT</td> </tr> <tr> <td></td> <td>mm</td> </tr> <tr> <td>DWG. No.</td> <td>SIZE</td> </tr> <tr> <td>82880</td> <td>A3</td> </tr> <tr> <td></td> <td>SHEET</td> </tr> <tr> <td></td> <td>1/1</td> </tr> <tr> <td></td> <td>REV.</td> </tr> <tr> <td></td> <td>0</td> </tr> </table>		TITLE	SCALE	CABLIN [®] -SS 10P HARNESS	2:1		UNIT		mm	DWG. No.	SIZE	82880	A3		SHEET		1/1		REV.		0
ANGLE	±2°	6 OVER 30 MAX.	±0.3	PROJECTION ⊕	SERIES No. IH-200016	CUSTOMER COPY																																																
	6 MAX.	±0.2	30 OVER 120 MAX.				±0.5																																															
GENERAL TOLERANCE.																																																						
DWG.	DATE																																																					
K.Fukutomi	2026/04/08																																																					
CHK.																																																						
R.Takei																																																						
APP.																																																						
T.Masunaga																																																						
TITLE	SCALE																																																					
CABLIN [®] -SS 10P HARNESS	2:1																																																					
	UNIT																																																					
	mm																																																					
DWG. No.	SIZE																																																					
82880	A3																																																					
	SHEET																																																					
	1/1																																																					
	REV.																																																					
	0																																																					
<table border="0"> <tr> <td>0</td> <td>ZM00758</td> <td>K.Fu</td> <td>2026/04/08</td> <td>-</td> </tr> <tr> <td>REV.</td> <td>ECN</td> <td>BY</td> <td>DATE</td> <td>APP.</td> </tr> </table>					0	ZM00758	K.Fu	2026/04/08	-	REV.	ECN	BY	DATE	APP.	<table border="0"> <tr> <td>REVISION RECORD</td> <td>T.Masunaga</td> </tr> </table>		REVISION RECORD	T.Masunaga	<table border="0"> <tr> <td>82880</td> <td>1/1</td> <td>0</td> </tr> </table>		82880	1/1	0																															
0	ZM00758	K.Fu	2026/04/08	-																																																		
REV.	ECN	BY	DATE	APP.																																																		
REVISION RECORD	T.Masunaga																																																					
82880	1/1	0																																																				