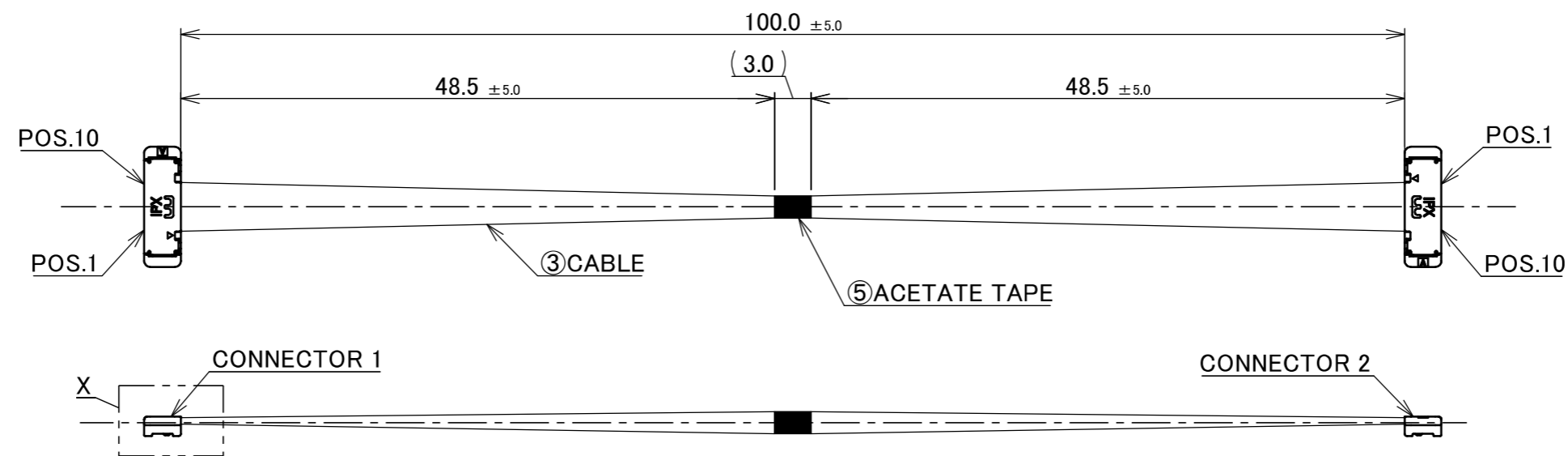
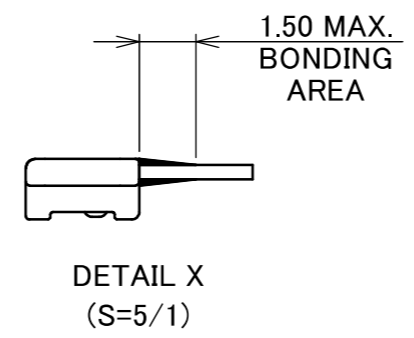
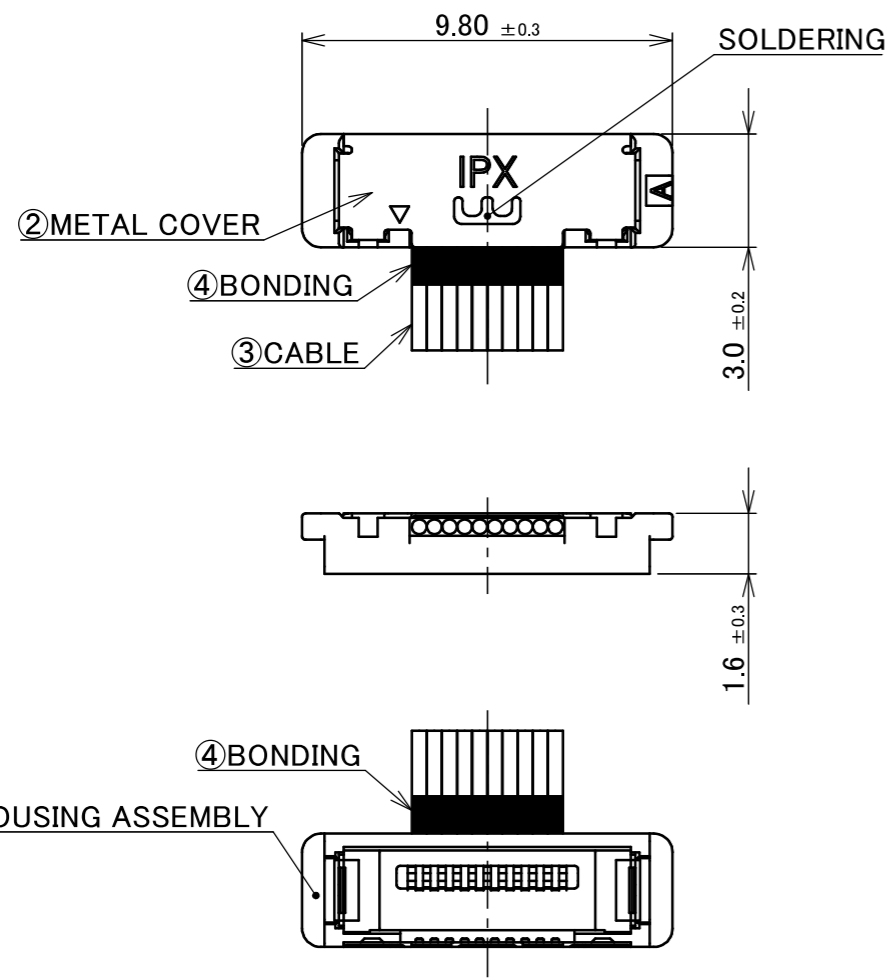


PART NO.  
82879-100B-02-D



CONNECTOR 1&2  
(S=5/1)



PIN ASSIGNMENT		
CONNECTOR 1	CABLE	CONNECTOR 2
10	MICRO-COAXIAL CABLE AWG#40 50 OHM, BLUE	1
9	MICRO-COAXIAL CABLE AWG#40 50 OHM, BLUE	2
.	MICRO-COAXIAL CABLE AWG#40 50 OHM, BLUE	.
.	MICRO-COAXIAL CABLE AWG#40 50 OHM, BLUE	.
2	MICRO-COAXIAL CABLE AWG#40 50 OHM, BLUE	9
1	MICRO-COAXIAL CABLE AWG#40 50 OHM, BLUE	10

NOTE.  
1. TO HANDLE THIS CONNECTOR YOU MUST READ AND FOLLOW THE INSTRUCTION MANUAL BELOW. I-PEX INSTRUCTION MANUAL No.HIM-04001.  
2. ELECTRIC CHARACTERISTICS  
WITHSTANDVOLTAGE : AC 250V LEAKAGE CURRENT 2.0mA MAX.  
INSULATION RESISTANCE : 50MΩ MIN. DC 100V  
3. THE OPERATING TEMPERATURE OF THE HARNESS : 80°C MAX.  
4. RATING VOLTAGE : 30V

5	ACETATE TAPE	-	1	BLACK
4	BONDING	-	-	UV GLUE
3	CABLE	-	10	MICRO-COAXIAL CABLE AWG #40, 50 OHM, BLUE
2	METAL COVER	2182-010-03	2	CONNECTOR 1&2 CABLIN <sup>®</sup> -SS PLUG P/N : 20380-R10T-06
1	HOUSING ASSEMBLY	20373-R10T-06	2	CONNECTOR TO BE MATED : 20374-R10E-31
NO.	DESCRIPTION	PARTS NO.	QTY	REMARKS
			ANGLE ±2° 6 OVER 30 MAX. ±0.3 6 MAX. ±0.2 30 OVER 120 MAX. ±0.5	PROJECTION SERIES No. IH-200016 CUSTOMER COPY
			GENERAL TOLERANCE.	TITLE CABLIN <sup>®</sup> -SS 10P HARNESS SCALE 2:1 UNIT I-PEX
0	ZM00758	K.Fu	2026/04/08	CHK. R.Takei
REV.	ECN	BY	DATE	APP. T.Masunaga
REVISION RECORD				DWG. No. 82879 SIZE A3 SHEET 1/1 REV. 0

Confidential C

I-PEX Inc.

QKE-DFE06-02 REV.12