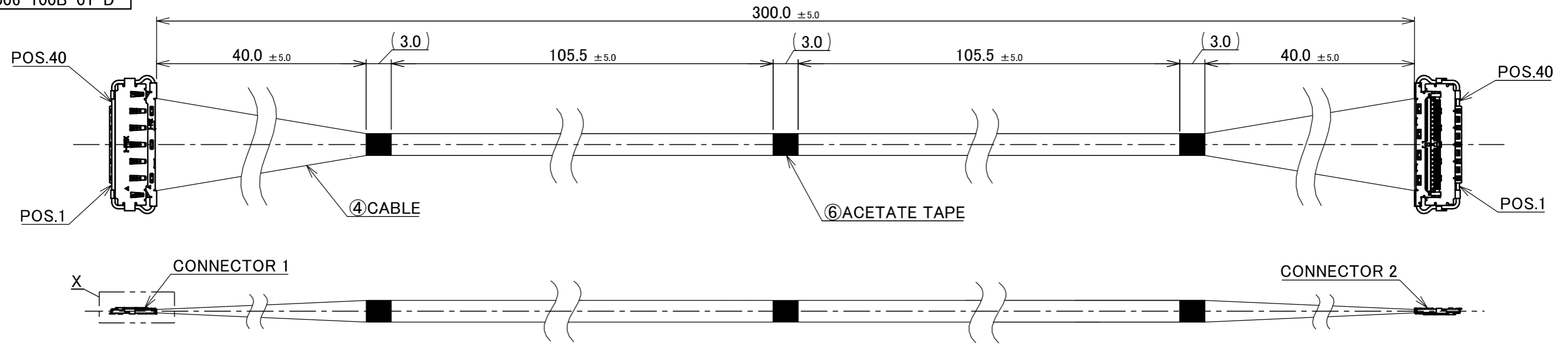
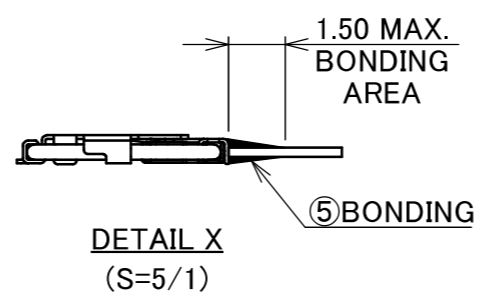
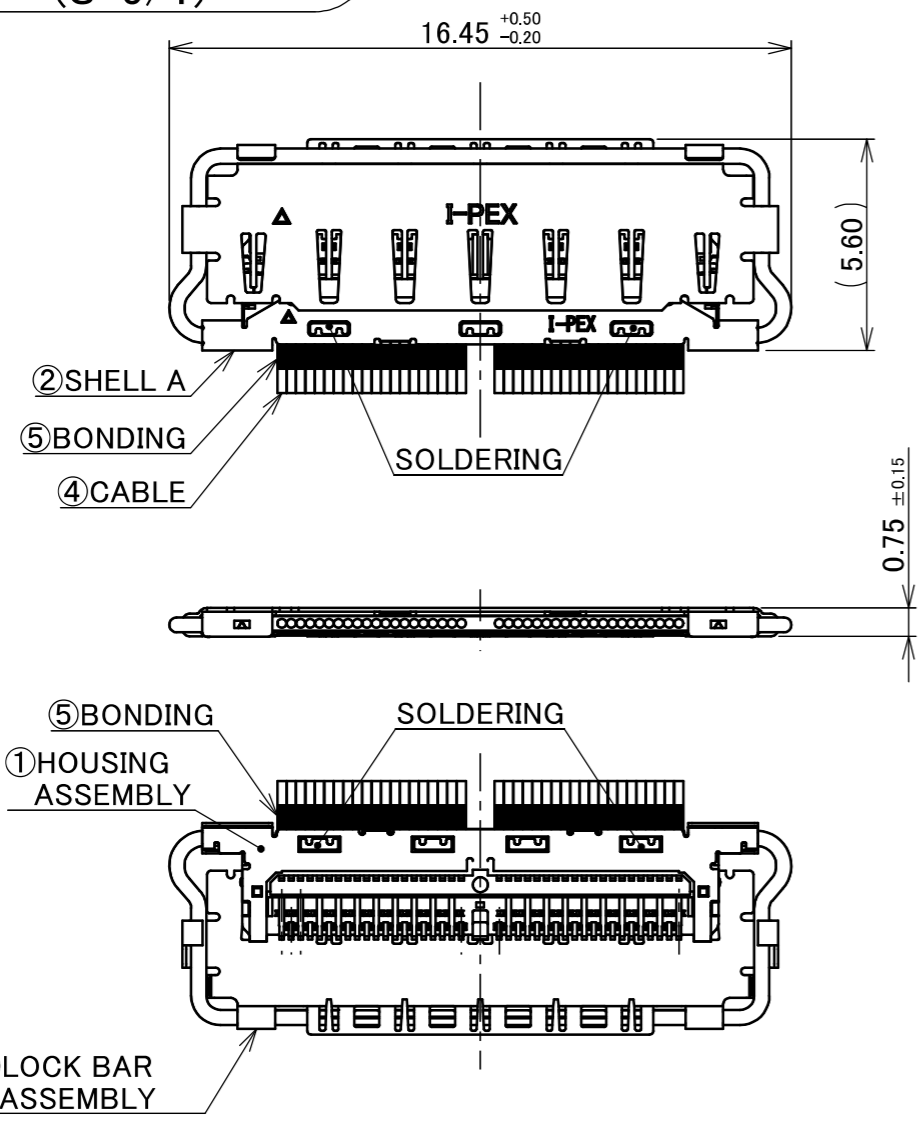


PART No.
83006-100B-01-D



CONNECTOR 1&2
(S=5/1)



PIN ASSIGNMENT		
CONNECTOR 1	CABLE	CONNECTOR 2
40	MICRO-COAXIAL AWG #46 50 OHM, BLUE	40
39	MICRO-COAXIAL AWG #46 50 OHM, BLUE	39
·	MICRO-COAXIAL AWG #46 50 OHM, BLUE	·
·	MICRO-COAXIAL AWG #46 50 OHM, BLUE	·
2	MICRO-COAXIAL AWG #46 50 OHM, BLUE	2
1	MICRO-COAXIAL AWG #46 50 OHM, BLUE	1

- NOTE.
- TO HANDLE THIS CONNECTOR YOU MUST READ AND FOLLOW THE INSTRUCTION MANUAL BELOW. I-PEX INSTRUCTION MANUAL No.HIM-17035.
 - ELECTRIC CHARACTERISTICS
WITHSTANDVOLTAGE : AC 100V LEAKAGE CURRENT 2.0mA MAX.
INSULATION RESISTANCE : 50MΩ MIN. DC 100V
 - THE OPERATING TEMPERATURE OF THE HARNESS : 80°C MAX.
 - RATING VOLTAGE : 30V

6	ACETATE TAPE	-	3	BLACK
5	BONDING	-	-	UV GLUE
4	CABLE	-	40	MICRO-COAXIAL AWG #46 50 OHM, BLUE
3	LOCK BAR ASSEMBLY	20975-040T-01	2	CONNECTOR 1 & 2
2	SHELL A	3655-0401	2	CABLIN [®] -CX II PLUG P/N : 20977-040T-01 CONNECTOR TO BE MATED : 20976-040E-01
1	HOUSING ASSEMBLY	20974-040T-01	2	
NO.	DESCRIPTION	PARTS NO.	QTY	REMARK

REVISION RECORD					ANGLE	±2°	6 OVER 30 MAX.	±0.3	PROJECTION ⊕	SERIES No. IH-200016	CUSTOMER COPY					
						6 MAX.	±0.2	30 OVER 120 MAX.				±0.5				
					GENERAL TOLERANCE.				TITLE CABLIN [®] -CX II 40P HARNESS	SCALE 2:1	UNIT mm	I-PEX				
					DWG.	K.Fukutomi							DATE	2026/05/28		
					CHK.	R.Takei										
0	ZM00912	K.Fu	2026/05/28	-	APP.	T.Masunaga			DWG. No.	83006	SIZE	A3	SHEET	1/1	REV.	0

Confidential C

I-PEX Inc.

QKE-DFE06-02 REV.12