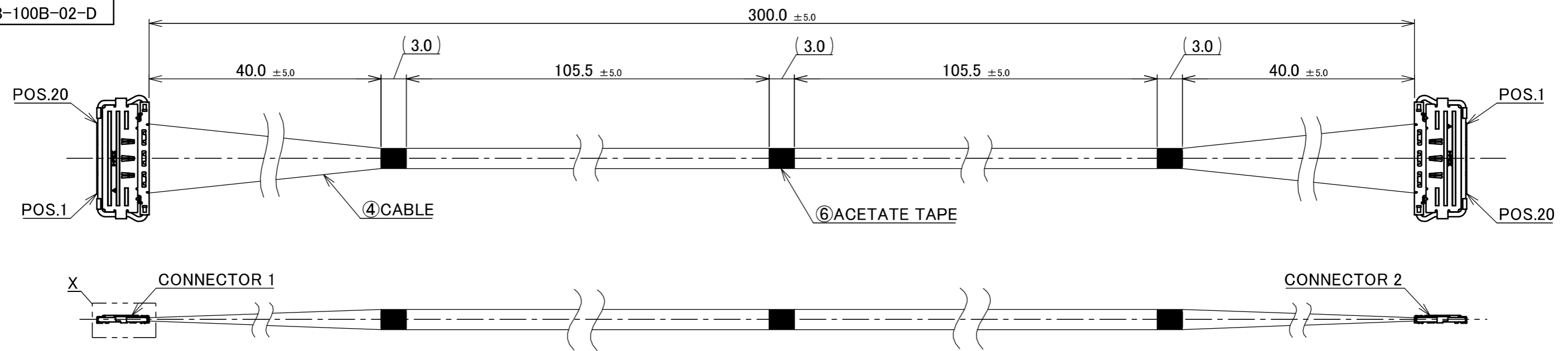
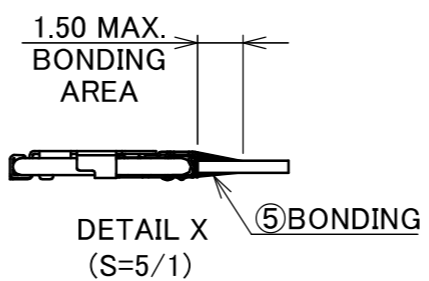
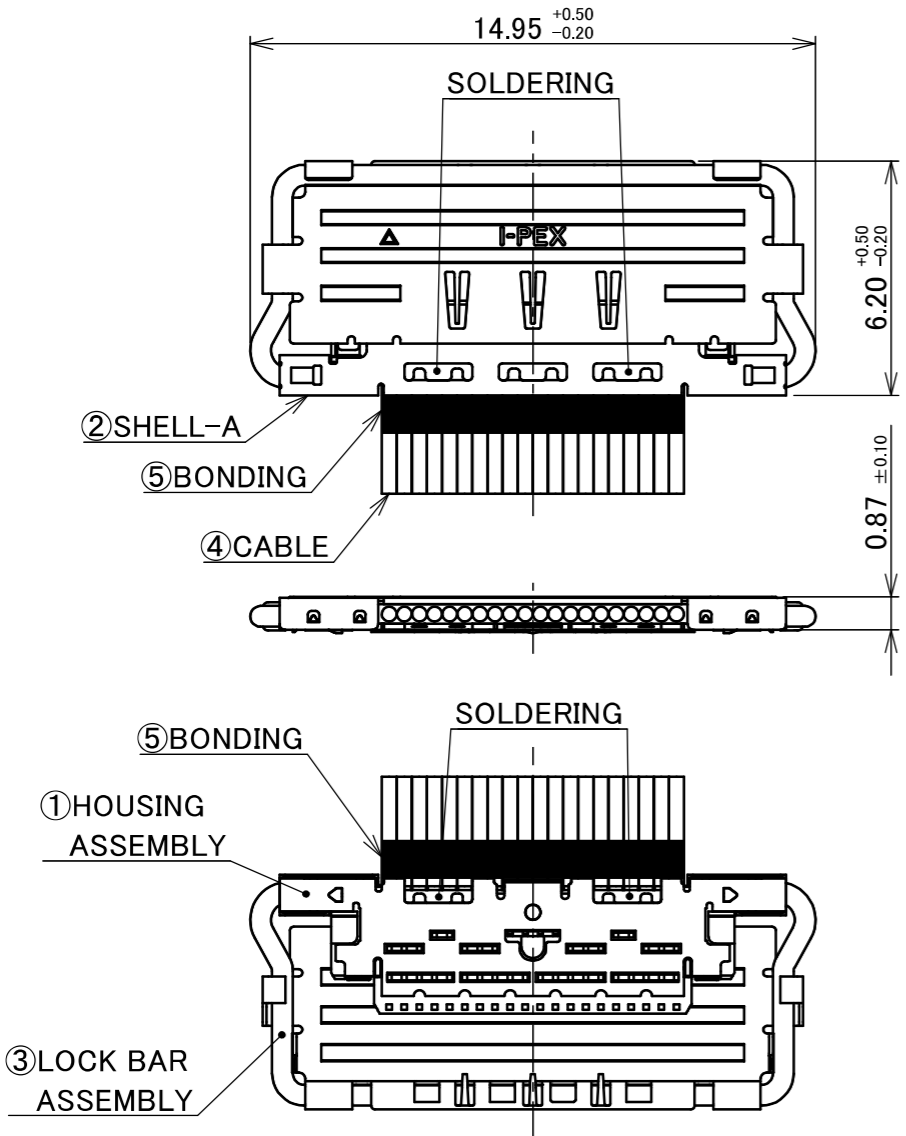


PART No.  
82868-100B-02-D



CONNECTOR 1&2  
(S=5/1)



PIN ASSIGNMENT		
CONNECTOR 1	CABLE	CONNECTOR 2
20	MICRO-COAXIAL CABLE AWG#40 50 OHM, BLUE	1
19	MICRO-COAXIAL CABLE AWG#40 50 OHM, BLUE	2
.	MICRO-COAXIAL CABLE AWG#40 50 OHM, BLUE	.
.	MICRO-COAXIAL CABLE AWG#40 50 OHM, BLUE	.
2	MICRO-COAXIAL CABLE AWG#40 50 OHM, BLUE	19
1	MICRO-COAXIAL CABLE AWG#40 50 OHM, BLUE	20

- NOTE.
- TO HANDLE THIS CONNECTOR YOU MUST READ AND FOLLOW THE INSTRUCTION MANUAL BELOW. I-PEX INSTRUCTION MANUAL No.HIM-16028.
  - ELECTRIC CHARACTERISTICS  
WITHSTANDVOLTAGE : AC 250V LEAKAGE CURRENT 2.0mA MAX.  
INSULATION RESISTANCE : 50MΩ MIN. DC 100V
  - THE OPERATING TEMPERATURE OF THE HARNESS : 80°C MAX.
  - RATING VOLTAGE : 30V

NO.	DESCRIPTION	PARTS NO.	QTY	REMARK
6	ACETATE TAPE	-	3	BLACK
5	BONDING	-	-	UV GLUE
4	CABLE	-	20	MICRO-COAXIAL CABLE AWG#40 50 OHM, BLUE
3	LOCK BAR ASSEMBLY	20681-020T-01	2	CONNECTOR 1 & 2 CABLINÉ-CA II PLUG P/N : 20679-020T-01 CONNECTOR TO BE MATED : 20682-020E-02
2	SHELL-A	3204-0201	2	
1	HOUSING ASSEMBLY	20680-020T-01	2	

REVISION RECORD					GENERAL TOLERANCE.		PROJECTION		SERIES No.		CUSTOMER COPY	
0	ZM00765	K.B	2026/04/09	-	ANGLE	±2°	6 OVER 30 MAX.	±0.3	IH-200016	IH-200016	SCALE	2:1
REV.	ECN	BY	DATE	APP.	6 MAX.	±0.2	30 OVER 120 MAX.	±0.5				
					DWG.		DATE		TITLE		UNIT	
					K.Baba		2026/04/09		CABLINÉ®-CA II 20P HARNESS		mm	
					CHK.		R.Takei		DWG. No.		SIZE	
					APP.		T.Masunaga		82868		SHEET	
					REV.		T.Masunaga		82868		1/1	
					APP.		T.Masunaga		82868		REV.	
					REV.		T.Masunaga		82868		0	

Confidential C

I-PEX Inc.

QKE-DFE06-02 REV.12