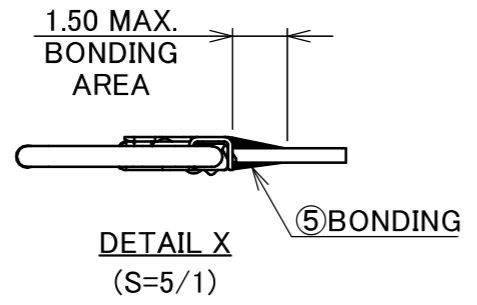
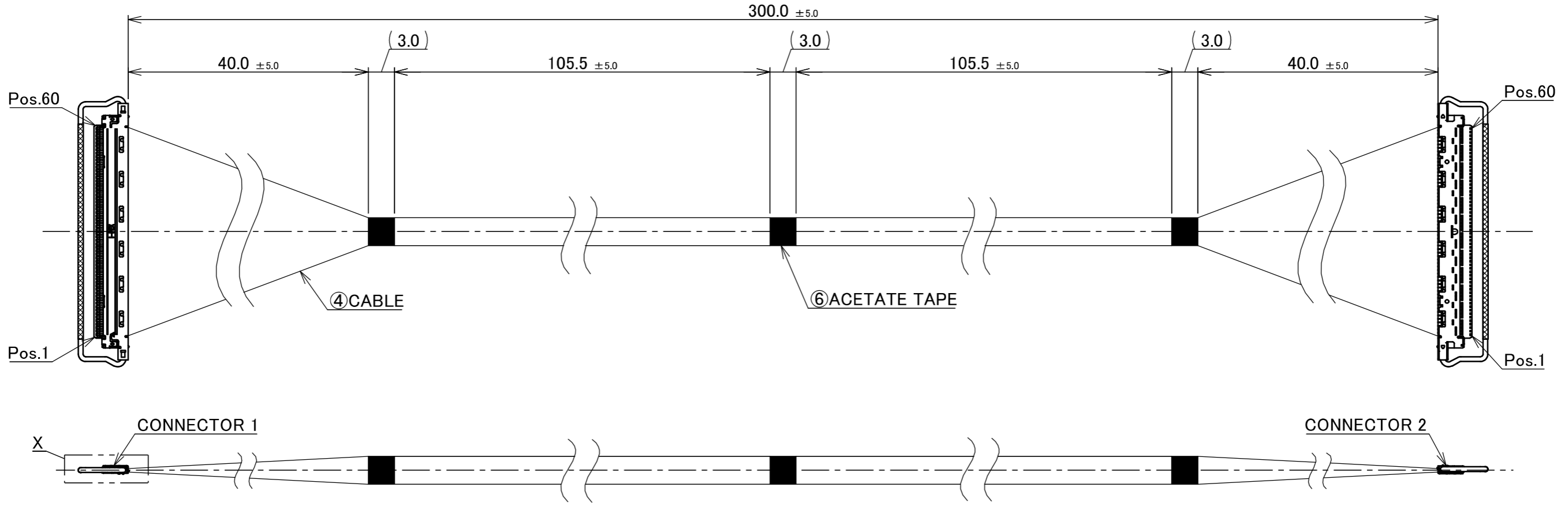


PART No.
82988-100B-01-D



PIN ASSIGNMENT		
CONNECTOR 1	CABLE	CONNECTOR 2
60	MICRO-COAXIAL CABLE AWG#40 50 OHM, BLUE	60
.	MICRO-COAXIAL CABLE AWG#40 50 OHM, BLUE	.
1	MICRO-COAXIAL CABLE AWG#40 50 OHM, BLUE	1

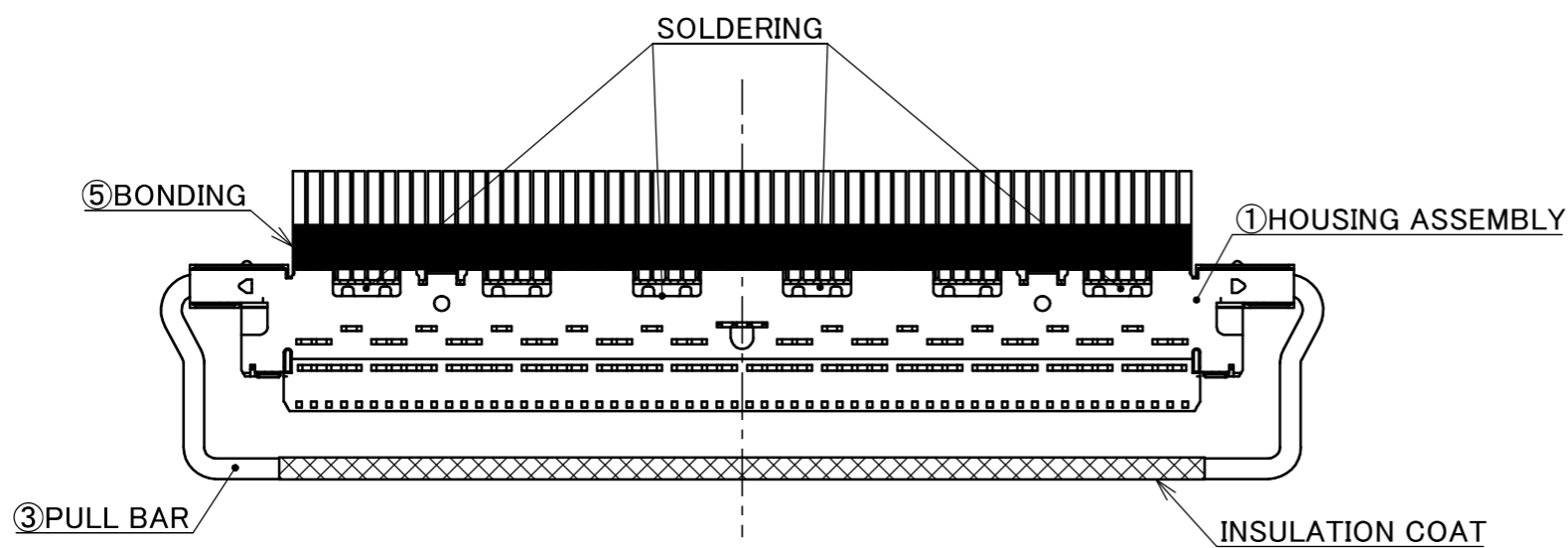
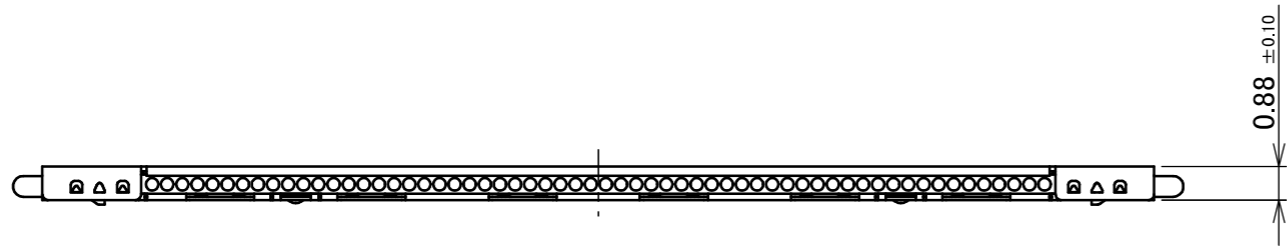
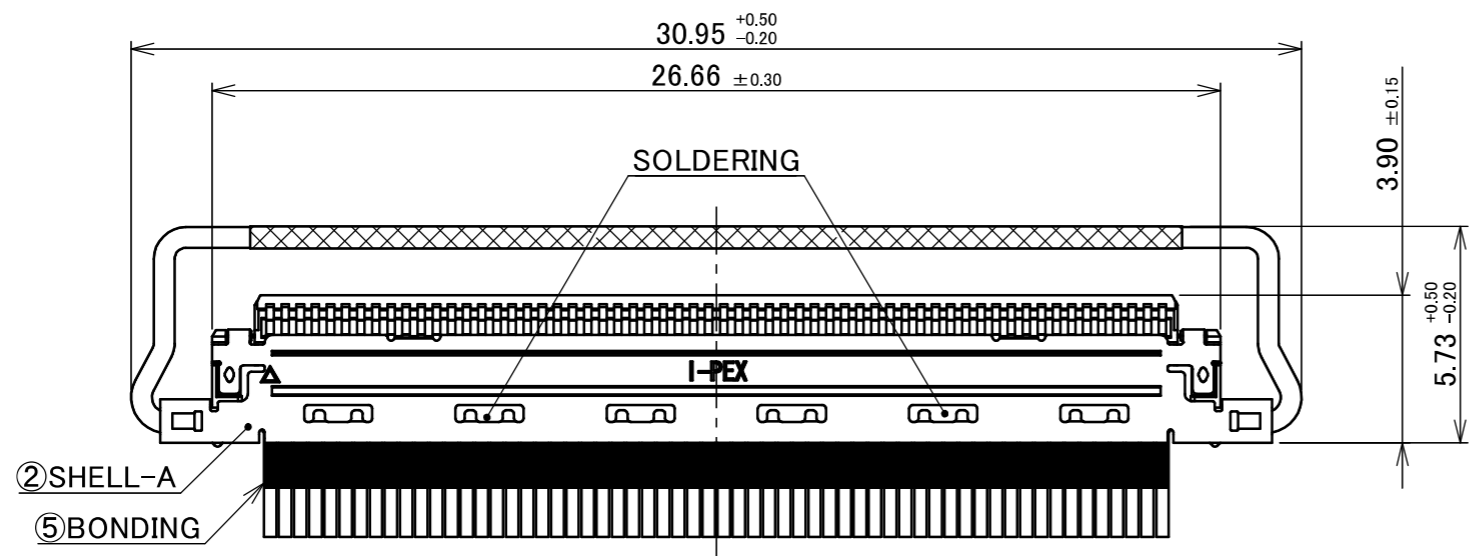
6	ACETATE TAPE	-	3	BLACK
5	BONDING	-	-	UV GLUE
4	CABLE	-	60	MICRO-COAXIAL CABLE AWG#40 50 OHM, BLUE
3	PULL BAR	2766-0601	2	CONNECTOR 1&2
2	SHELL-A	2764-0601-002	2	CABLIN [®] -CA PLUG P/N : 20633-260T-01S CONNECTOR TO BE MATED : 20525-060E-02
1	HOUSING ASSEMBLY	20634-160T-02	2	
NO.	DESCRIPTION	PARTS NO.	QTY	REMARKS

- NOTE.
- TO HANDLE THIS CONNECTOR YOU MUST READ AND FOLLOW THE INSTRUCTION MANUAL BELOW.
I-PEX INSTRUCTION MANUAL No.HIM-09008.
 - ELECTRIC CHARACTERISTICS
WITHSTANDVOLTAGE : AC 250V LEAKAGE CURRENT 2.0mA MAX.
INSULATION RESISTANCE : 50MΩ MIN. DC 100V
 - THE OPERATING TEMPERATURE OF THE HARNESS : 80°C MAX.
 - RATING VOLTAGE : 30V

REVISION RECORD					ANGLE $\pm 2^\circ$ 6 OVER 30 MAX. ± 0.3 6 MAX. ± 0.2 30 OVER 120 MAX. ± 0.5	PROJECTION 	SERIES No. IH-200016	CUSTOMER COPY	
0 ZM00904 K.Fu 2026/05/27 -					GENERAL TOLERANCE. DWG. K.Fukutomi DATE 2026/05/27 CHK. R.Takei		TITLE CABLIN [®] -CA 60P HARNESS	SCALE	
REV.	ECN	BY	DATE	APP.	APP. T.Masunaga	DWG. No. 82988		UNIT	
							SIZE	SHEET	REV.
							A3	1/2	0

PART No.
82988-100B-01-D

CONNECTOR 1&2



ANGLE	$\pm 2^\circ$	6 OVER 30 MAX.	± 0.3	PROJECTION	SERIES No.	CUSTOMER COPY		
		6 MAX.	± 0.2		IH-200016			
GENERAL TOLERANCE.				TITLE	SCALE	I-PEX		
DWG.	DATE			CABLIN [®] -CA 60P HARNESS	5:1			
CHK.					UNIT			
APP.					mm			
				DWG. No.	SIZE	SHEET	REV.	
				82988	A3	2/2	0	