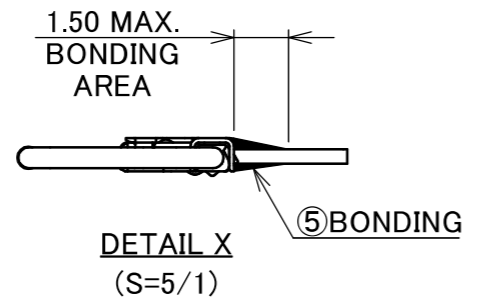
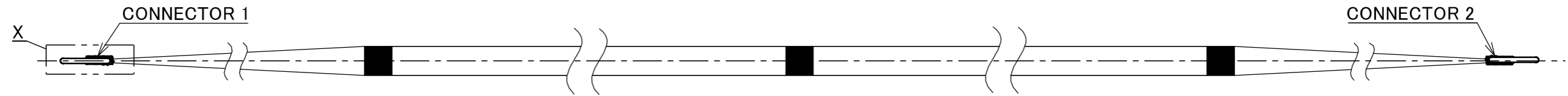
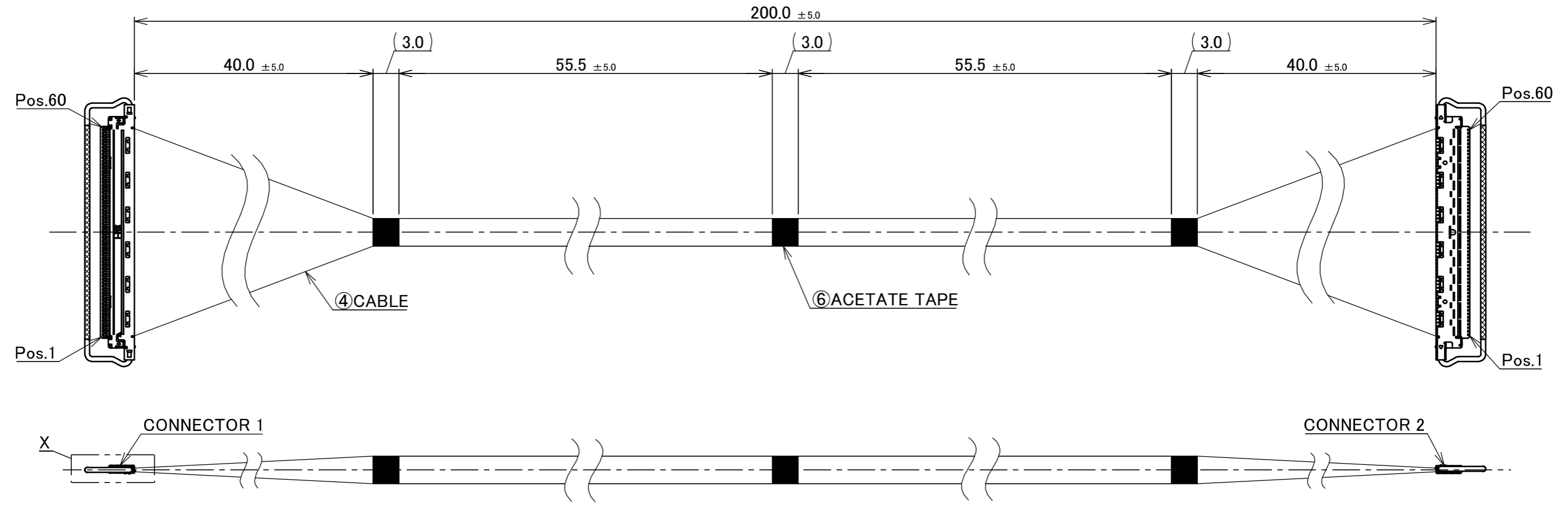


PART NO.
82987-100B-01-D



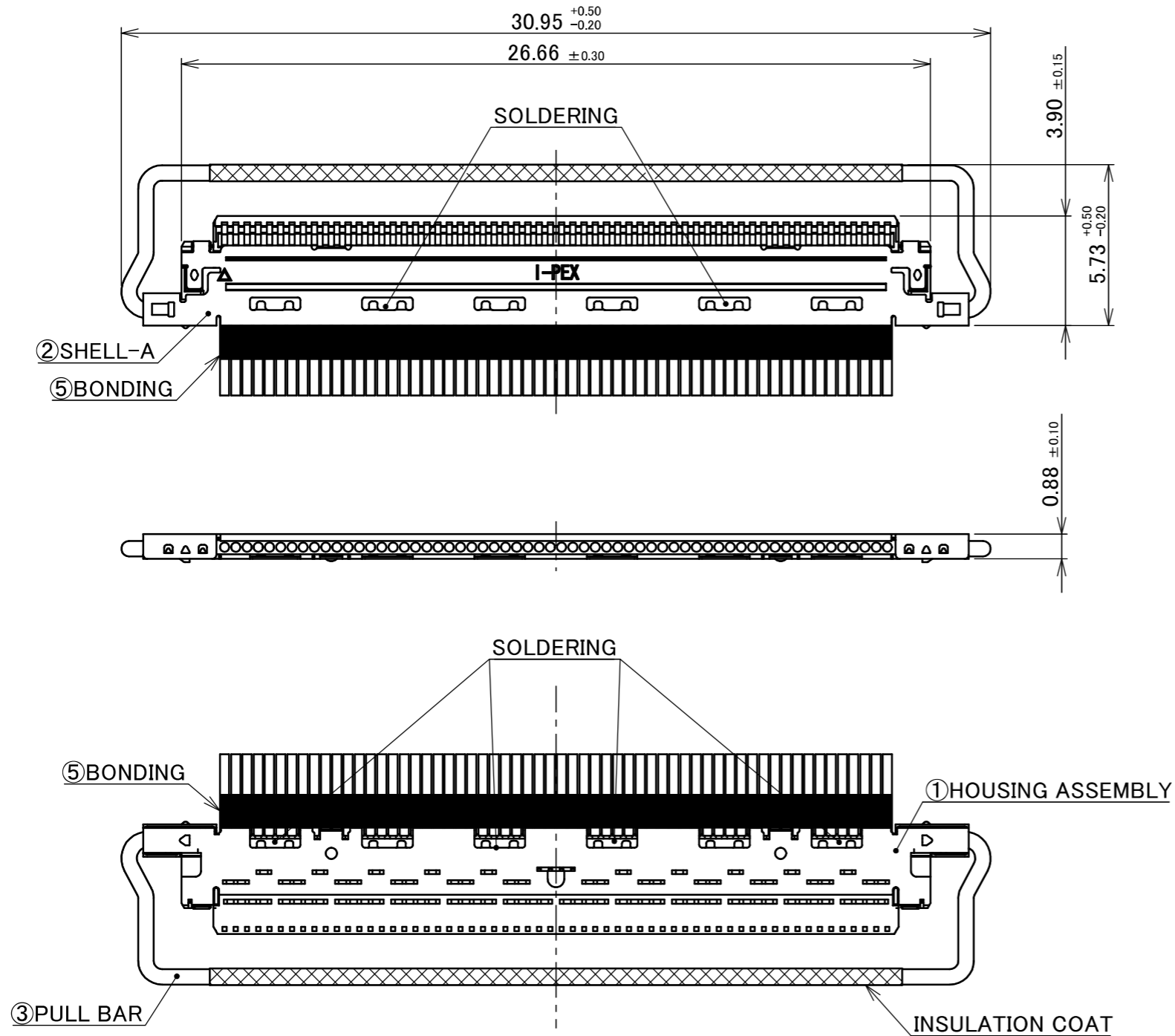
PIN ASSIGNMENT		
CONNECTOR 1	CABLE	CONNECTOR 2
60	MICRO-COAXIAL CABLE AWG#40 50 OHM, BLUE	60
.	MICRO-COAXIAL CABLE AWG#40 50 OHM, BLUE	.
1	MICRO-COAXIAL CABLE AWG#40 50 OHM, BLUE	1

- NOTE.
- TO HANDLE THIS CONNECTOR YOU MUST READ AND FOLLOW THE INSTRUCTION MANUAL BELOW. I-PEX INSTRUCTION MANUAL No.HIM-09008.
 - ELECTRIC CHARACTERISTICS
WITHSTANDVOLTAGE : AC 250V LEAKAGE CURRENT 2.0mA MAX.
INSULATION RESISTANCE : 50MΩ MIN. DC 100V
 - THE OPERATING TEMPERATURE OF THE HARNESS : 80°C MAX.
 - RATING VOLTAGE : 30V

6	ACETATE TAPE	-	3	BLACK
5	BONDING	-	-	UV GLUE
4	CABLE	-	60	MICRO-COAXIAL CABLE AWG#40 50 OHM, BLUE
3	PULL BAR	2766-0601	2	CONNECTOR 1&2 CABLIN [®] -CA PLUG P/N : 20633-260T-01S CONNECTOR TO BE MATED : 20525-060E-02
2	SHELL-A	2764-0601-002	2	
1	HOUSING ASSEMBLY	20634-160T-02	2	
NO.	DESCRIPTION	PARTS NO.	QTY	REMARKS
		ANGLE	±2°	6 OVER 30 MAX. ±0.3
			6 MAX. ±0.2	30 OVER 120 MAX. ±0.5
		GENERAL TOLERANCE.		PROJECTION
		DWG.	DATE	SERIES No.
		K.Fukutomi	2026/05/27	IH-200016
		CHK.	R.Takei	TITLE CABLIN [®] -CA 60P HARNESS
0	ZM00904	K.Fu	2026/05/27	
REV.	ECN	BY	DATE	APP.
				T.Masunaga
REVISION RECORD				DWG. No.
				82987
				SIZE
				A3
				SHEET
				1/2
				REV.
				0

PART NO.
82987-100B-01-D

CONNECTOR 1&2



ANGLE	$\pm 2^\circ$	6 OVER 30 MAX.	± 0.3	PROJECTION 	SERIES No. IH-200016	CUSTOMER COPY	
6 MAX.	± 0.2	30 OVER 120 MAX.	± 0.5				
GENERAL TOLERANCE.				TITLE CABLIN [®] -CA 60P HARNESS	SCALE 2:1	UNIT I-PEX	
DWG.	DATE						
CHK.							
APP.							
DWG. No.	82987			SIZE A3	SHEET 2/2	REV. 0	