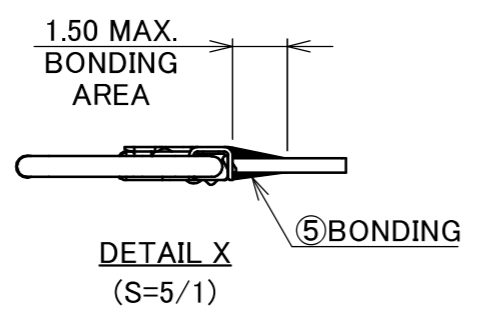
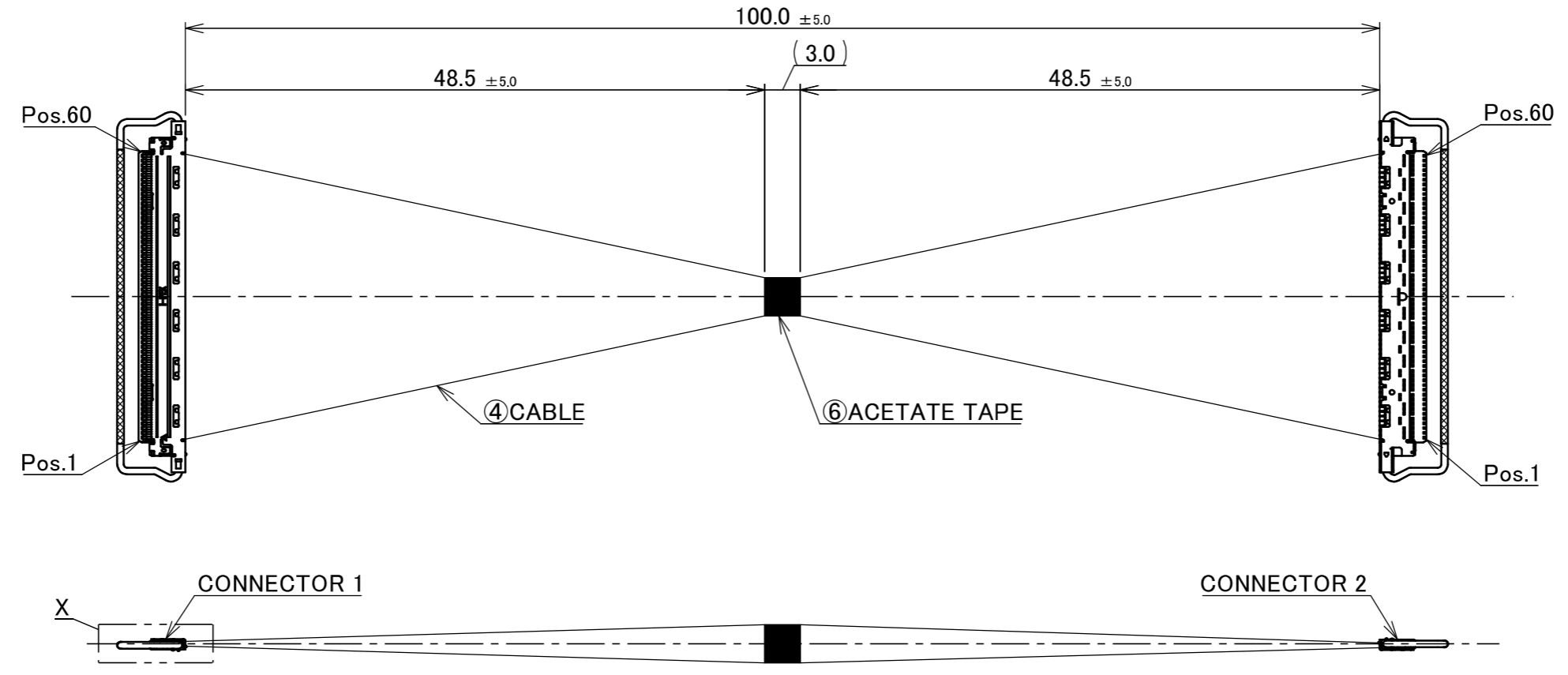


PART No.
82986-100B-01-D



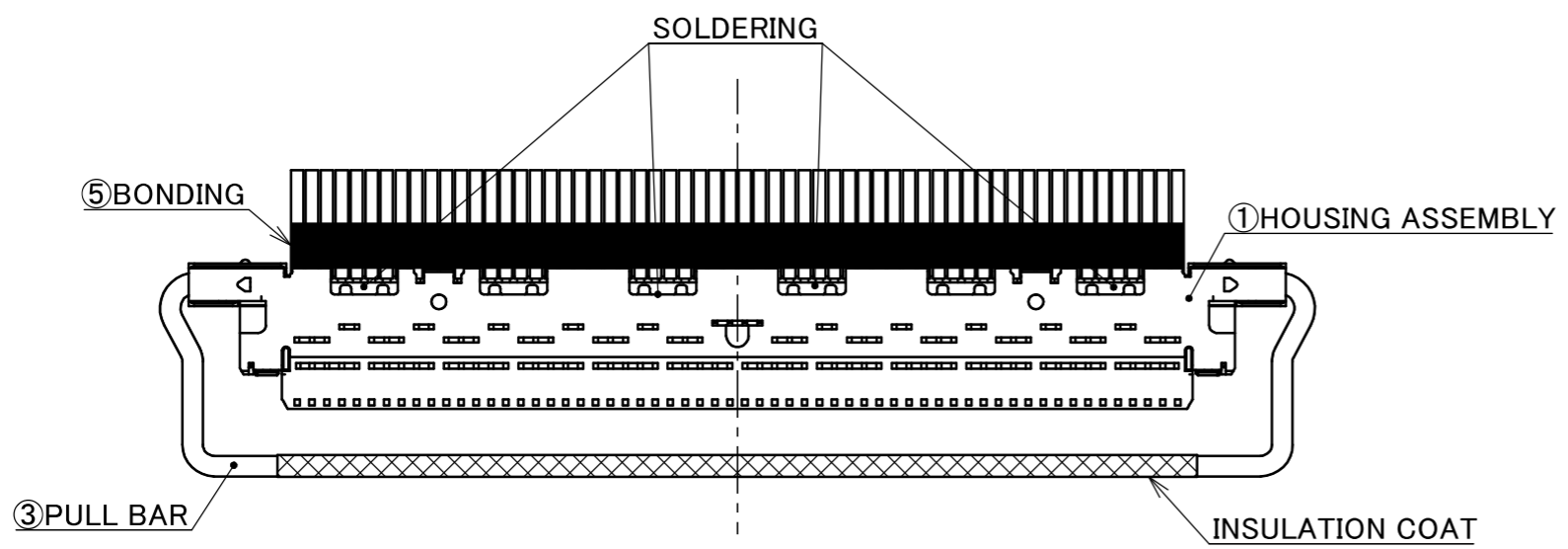
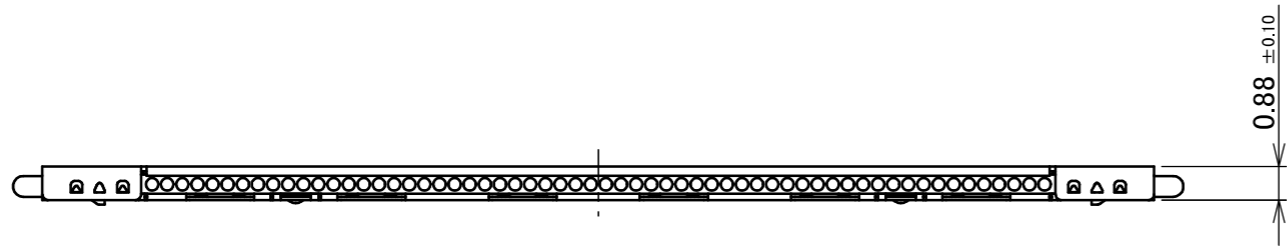
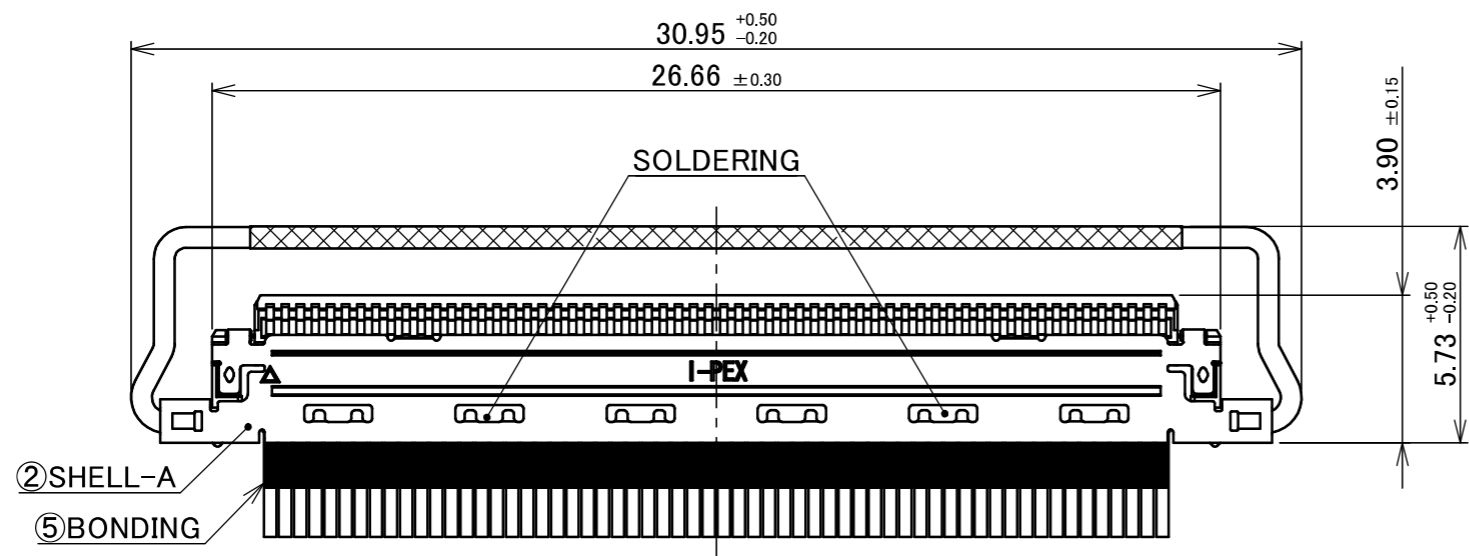
PIN ASSIGNMENT		
CONNECTOR 1	CABLE	CONNECTOR 2
60	MICRO-COAXIAL CABLE AWG#40 50 OHM, BLUE	60
.	MICRO-COAXIAL CABLE AWG#40 50 OHM, BLUE	.
.	MICRO-COAXIAL CABLE AWG#40 50 OHM, BLUE	.
1	MICRO-COAXIAL CABLE AWG#40 50 OHM, BLUE	1

6	ACETATE TAPE	-	1	BLACK
5	BONDING	-	-	UV GLUE
4	CABLE	-	60	MICRO-COAXIAL CABLE AWG#40 50 OHM, BLUE
3	PULL BAR	2766-0601	2	CONNECTOR 1&2
2	SHELL-A	2764-0601-002	2	CABLIN [®] -CA PLUG P/N : 20633-260T-01S
1	HOUSING ASSEMBLY	20634-160T-02	2	CONNECTOR TO BE MATED : 20525-060E-02
NO.	DESCRIPTION	PARTS NO.	QTY	REMARKS
				ANGLE ±2° 6 OVER 30 MAX. ±0.3 6 MAX. ±0.2 30 OVER 120 MAX. ±0.5
				PROJECTION SERIES No. IH-200016
				GENERAL TOLERANCE. TITLE CABLIN [®] -CA 60P HARNESS
				DWG. K.Fukutomi DATE 2026/05/27
				CHK. R.Takei
0	ZM00904	K.Fu	2026/05/27	-
REV.	ECN	BY	DATE	APP.
				T.Masunaga
REVISION RECORD				DWG. No. 82986
				SCALE 2:1 UNIT mm
				SIZE A3 SHEET 1/2 REV. 0

- NOTE.
- TO HANDLE THIS CONNECTOR YOU MUST READ AND FOLLOW THE INSTRUCTION MANUAL BELOW. I-PEX INSTRUCTION MANUAL No.HIM-09008.
 - ELECTRIC CHARACTERISTICS
WITHSTANDVOLTAGE : AC 250V LEAKAGE CURRENT 2.0mA MAX.
INSULATION RESISTANCE : 50MΩ MIN. DC 100V
 - THE OPERATING TEMPERATURE OF THE HARNESS : 80°C MAX.
 - RATING VOLTAGE : 30V

PART No.
82986-100B-01-D

CONNECTOR 1&2



ANGLE	$\pm 2^\circ$	6 OVER 30 MAX.	± 0.3	PROJECTION	SERIES No.	CUSTOMER COPY			
6 MAX.	± 0.2	30 OVER 120 MAX.	± 0.5		IH-200016	SCALE	I-PEX		
GENERAL TOLERANCE.				TITLE		5:1			
DWG.	DATE	CABLIN [®] -CA 60P HARNESS			UNIT	mm			
CHK.					SIZE	SHEET	REV.		
APP.		DWG. No.	82986	A3	2/2	0			