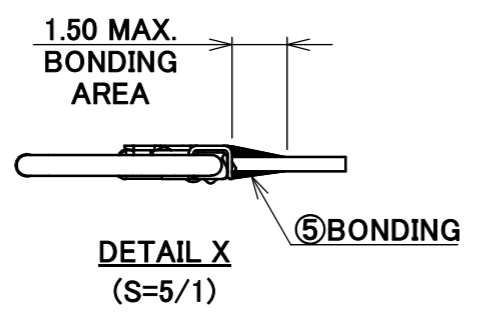
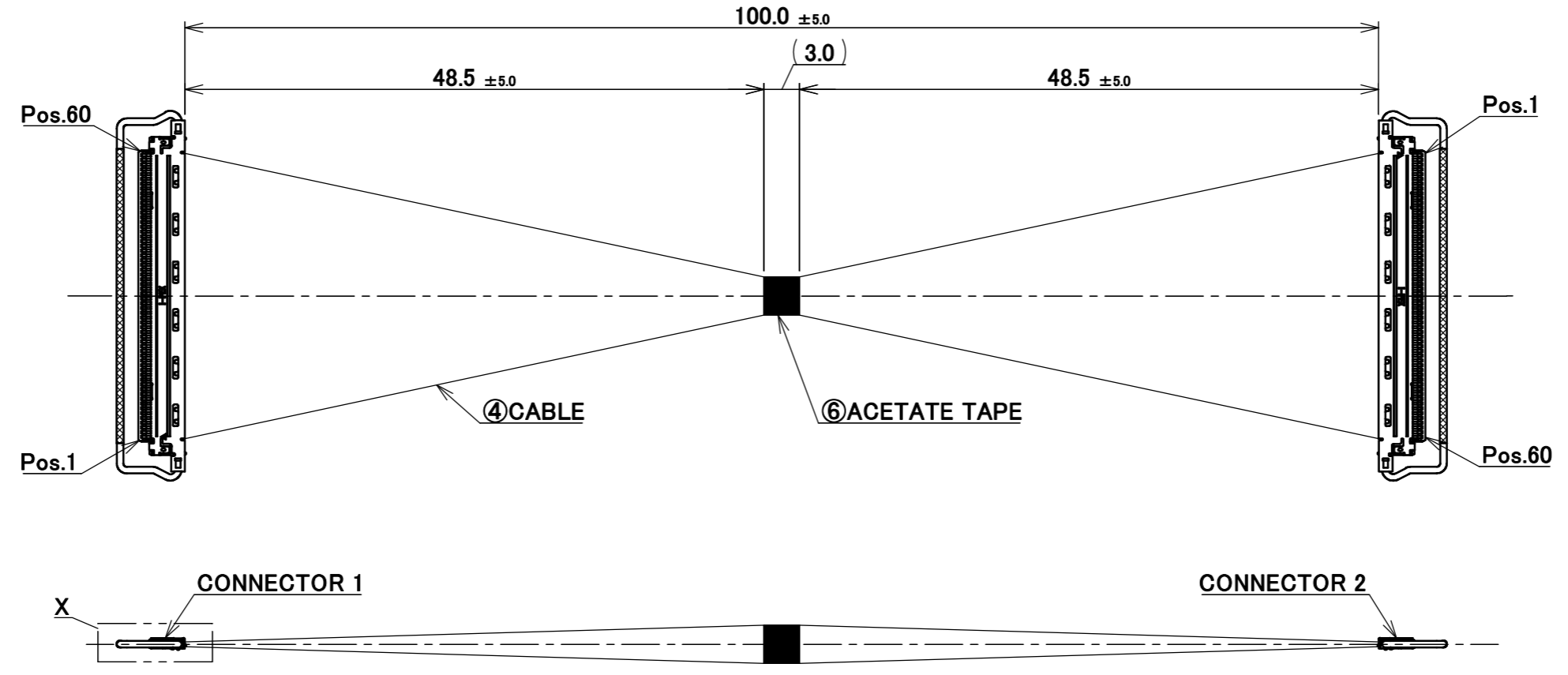


PART No.
82865-100B-02-D



PIN ASSIGNMENT		
CONNECTOR 1	CABLE	CONNECTOR 2
60	MICRO-COAXIAL CABLE AWG#40 50 OHM, BLUE	1
.	MICRO-COAXIAL CABLE AWG#40 50 OHM, BLUE	.
.	MICRO-COAXIAL CABLE AWG#40 50 OHM, BLUE	.
1	MICRO-COAXIAL CABLE AWG#40 50 OHM, BLUE	60

6	ACETATE TAPE	-	1	BLACK
5	BONDING	-	-	UV GLUE
4	CABLE	-	60	MICRO-COAXIAL CABLE AWG#40 50 OHM, BLUE
3	PULL BAR	2766-0601	2	CONNECTOR 1&2 CABLIN [®] -CA PLUG P/N : 20633-260T-01S CONNECTOR TO BE MATED : 20525-060E-02
2	SHELL-A	2764-0601-002	2	
1	HOUSING ASSEMBLY	20634-160T-02	2	
NO.	DESCRIPTION	PARTS NO.	QTY	REMARKS
				ANGLE ±2° 6 OVER 30 MAX. ±0.3 6 MAX. ±0.2 30 OVER 120 MAX. ±0.5
				PROJECTION SERIES No. IH-200016 TITLE CABLIN [®] -CA 60P HARNESS
				GENERAL TOLERANCE. DWG. K.Baba DATE 2026/04/08 CHK. R.Takei APP. T.Masunaga
0	ZM00760	K.B	2026/04/08	-
REV.	ECN	BY	DATE	APP.
REVISION RECORD				DWG. No. 82865
				SCALE 2:1 UNIT mm SIZE A3 SHEET 1/2 REV. 0

- NOTE.
- TO HANDLE THIS CONNECTOR YOU MUST READ AND FOLLOW THE INSTRUCTION MANUAL BELOW. I-PEX INSTRUCTION MANUAL No.HIM-09008.
 - ELECTRIC CHARACTERISTICS
WITHSTANDVOLTAGE : AC 250V LEAKAGE CURRENT 2.0mA MAX.
INSULATION RESISTANCE : 50MΩ MIN. DC 100V
 - THE OPERATING TEMPERATURE OF THE HARNESS : 80°C MAX.
 - RATING VOLTAGE : 30V

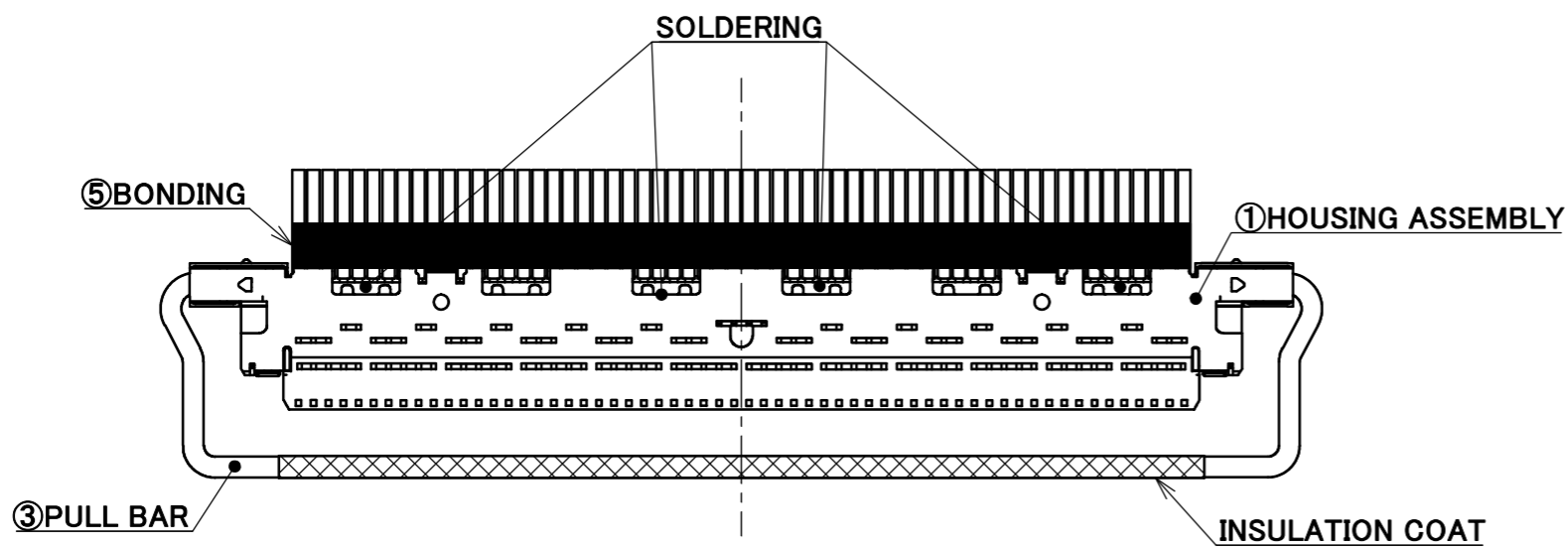
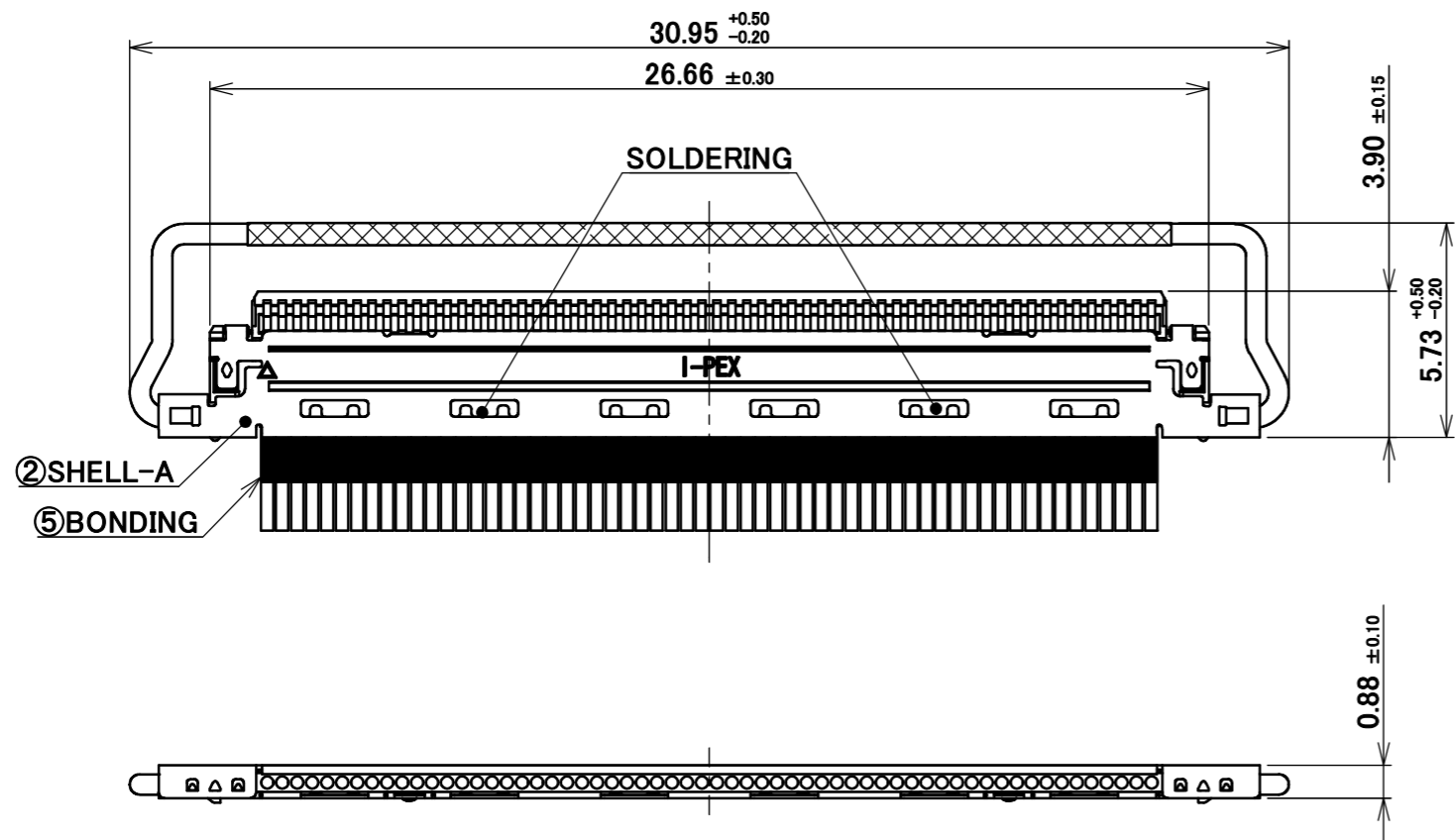
Confidential C

I-PEX Inc.

QKE-DFE06-02 REV.12

PART No.
82865-100B-02-D

CONNECTOR 1&2



ANGLE	±2°	6 OVER 30 MAX.	±0.3	PROJECTION	SERIES No.	CUSTOMER COPY	
6 MAX.	±0.2	30 OVER 120 MAX.	±0.5		IH-200016		
GENERAL TOLERANCE.				TITLE	SCALE	I-PEX	
DWG.	DATE			CABLIN® -CA 60P HARNESS	5:1		
CHK.					UNIT		
APP.					mm		
				DWG. No.	SIZE	SHEET	REV.
				82865	A3	2/2	0