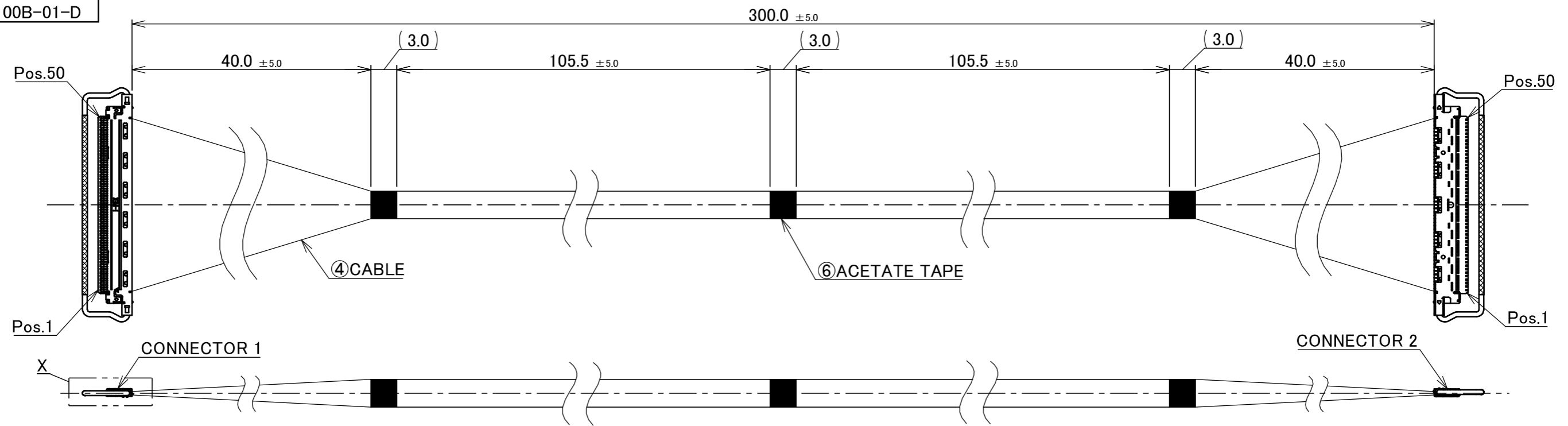
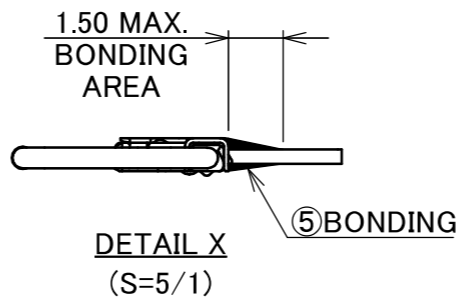
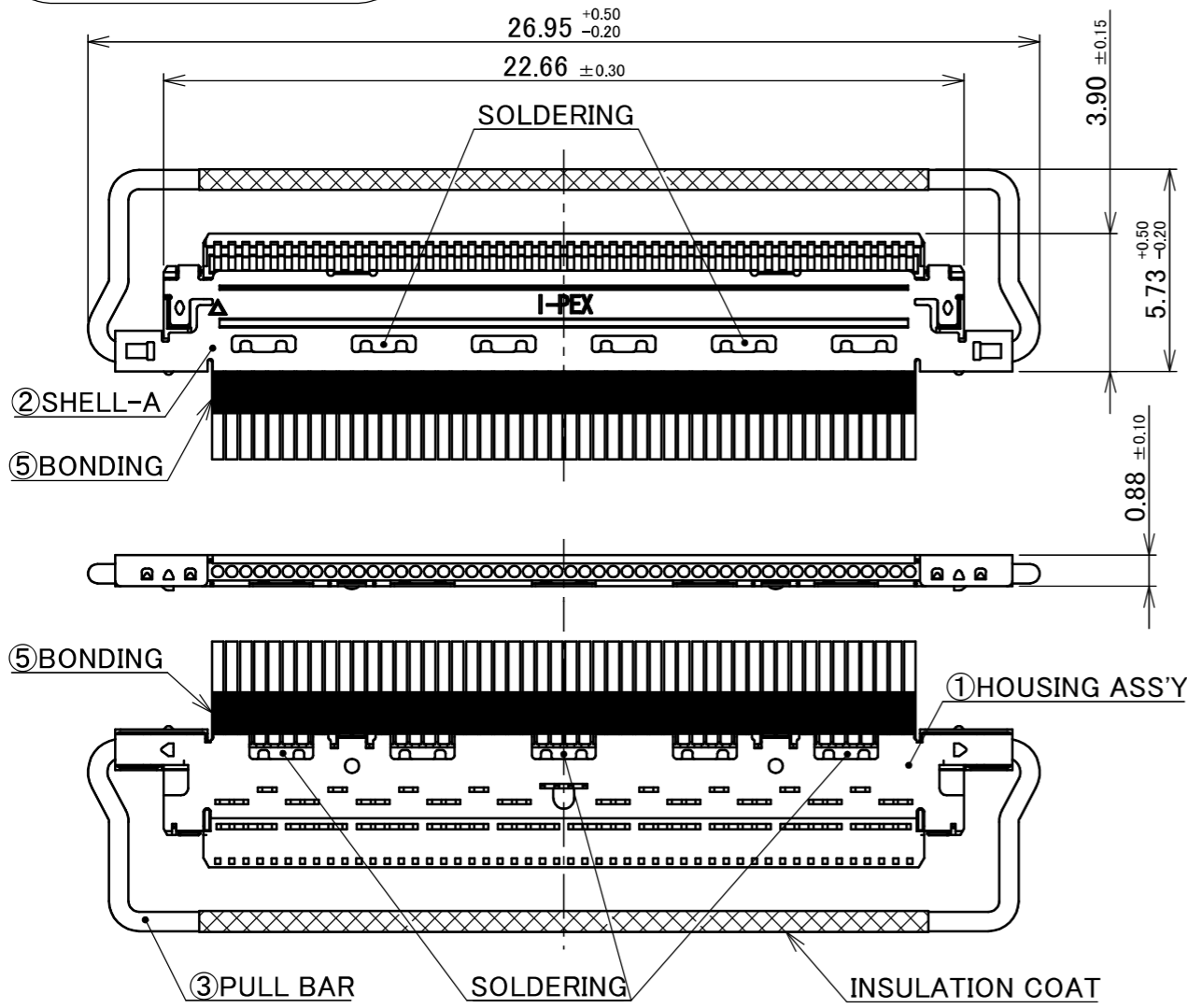


PART No.
82985-100B-01-D



CONNECTOR 1&2
(S=5/1)



- NOTE.
1. TO HANDLE THIS CONNECTOR YOU MUST READ AND FOLLOW THE INSTRUCTION MANUAL BELOW. I-PEX INSTRUCTION MANUAL No.HIM-09008.
 2. ELECTRIC CHARACTERISTICS
WITHSTANDVOLTAGE : AC 250V LEAKAGE CURRENT 2.0mA MAX.
INSULATION RESISTANCE : 50MΩ MIN. DC 100V
 3. THE OPERATING TEMPERATURE OF THE HARNESS : 80°C MAX.
 4. RATING VOLTAGE : 30V

PIN ASSIGNMENT		
CONNECTOR 1	CABLE	CONNECTOR 2
50	MICRO-COAXIAL CABLE AWG#40 50 OHM, BLUE	50
.	MICRO-COAXIAL CABLE AWG#40 50 OHM, BLUE	.
.	MICRO-COAXIAL CABLE AWG#40 50 OHM, BLUE	.
1	MICRO-COAXIAL CABLE AWG#40 50 OHM, BLUE	1

6	ACETATE TAPE	-	3	BLACK
5	BONDING	-	-	UV GLUE
4	CABLE	-	50	MICRO-COAXIAL CABLE AWG#40 50 OHM, BLUE
3	PULL BAR	2766-0501	2	CONNECTOR 1&2
2	SHELL-A	2764-0501-002	2	CABLIN [®] -CA PLUG P/N : 20633-250T-01S CONNECTOR TO BE MATED : 20525-050E-02
1	HOUSING ASS'Y	20634-150T-02	2	
NO.	DESCRIPTION	PARTS NO.	QTY	REMARKS

				ANGLE	±2°	6 OVER 30 MAX.	±0.3	PROJECTION ⊕	SERIES No. IH-200016	CUSTOMER COPY						
					6 MAX.	±0.2	30 OVER 120 MAX.				±0.5					
				GENERAL TOLERANCE.				TITLE CABLIN [®] -CA 50P HARNESS	SCALE 2:1	UNIT mm	I-PEX					
				DWG.	K.Fukutomi		DATE					2026/05/27				
				CHK.	R.Takei											
0	ZM00904	K.Fu	2026/05/27	-	REVISION RECORD				DWG. No.	82985	SIZE	A3	SHEET	1/1	REV.	0

Confidential C

I-PEX Inc.

QKE-DFE06-02 REV.12