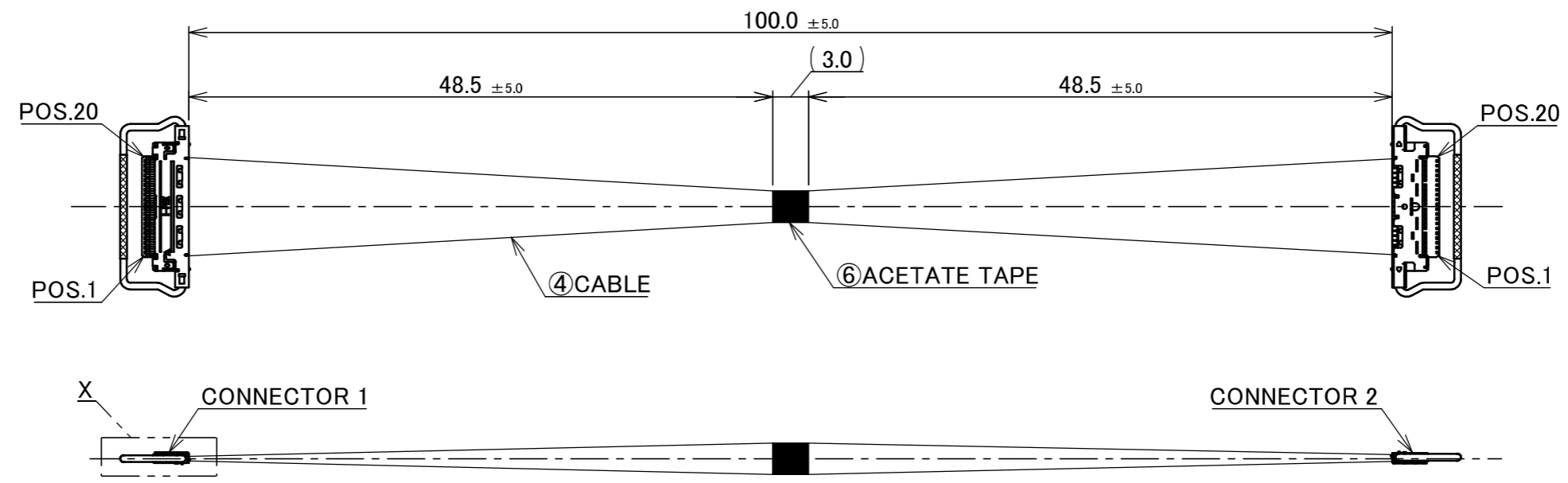
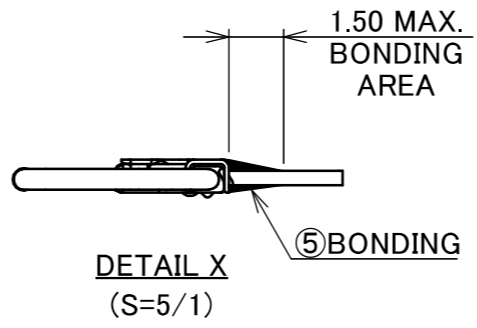
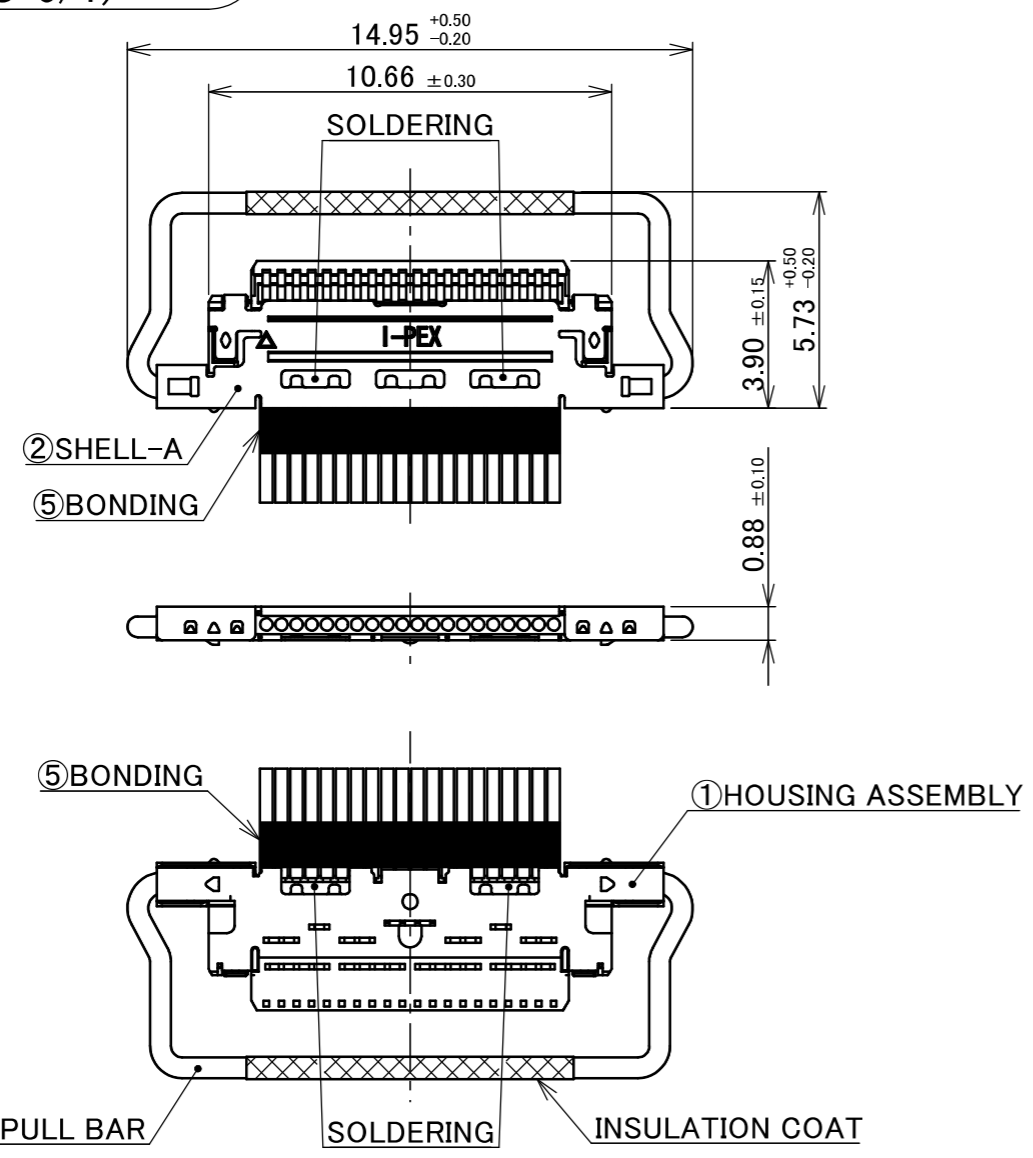


PART No.
82980-100B-01-D



CONNECTOR 1&2
(S=5/1)



- NOTE.
- TO HANDLE THIS CONNECTOR YOU MUST READ AND FOLLOW THE INSTRUCTION MANUAL BELOW. I-PEX INSTRUCTION MANUAL No.HIM-09008.
 - ELECTRIC CHARACTERISTICS
WITHSTANDVOLTAGE : AC 250V LEAKAGE CURRENT 2.0mA MAX.
INSULATION RESISTANCE : 50MΩ MIN. DC 100V
 - THE OPERATING TEMPERATURE OF THE HARNESS : 80°C MAX.
 - RATING VOLTAGE : 30V

PIN ASSIGNMENT		
CONNECTOR 1	CABLE	CONNECTOR 2
20	MICRO-COAXIAL CABLE AWG#40 50 OHM, BLUE	20
19	MICRO-COAXIAL CABLE AWG#40 50 OHM, BLUE	19
.	MICRO-COAXIAL CABLE AWG#40 50 OHM, BLUE	.
2	MICRO-COAXIAL CABLE AWG#40 50 OHM, BLUE	2
1	MICRO-COAXIAL CABLE AWG#40 50 OHM, BLUE	1

6	ACETATE TAPE	-	1	BLACK
5	BONDING	-	-	UV GLUE
4	CABLE	-	20	MICRO-COAXIAL CABLE AWG#40 50 OHM, BLUE
3	PULL BAR	2766-0201	2	CONNECTOR 1&2
2	SHELL-A	2764-0201-002	2	CABLIN [®] -CA PLUG P/N : 20633-220T-01S CONNECTOR TO BE MATED : 20525-020E-02
1	HOUSING ASSEMBLY	20634-120T-02	2	
NO.	DESCRIPTION	PARTS NO.	QTY	REMARKS

				ANGLE	±2°	6 OVER 30 MAX.	±0.3	PROJECTION ⊕	SERIES No. IH-200016	CUSTOMER COPY		
					6 MAX.	±0.2	30 OVER 120 MAX.				±0.5	
				GENERAL TOLERANCE.				TITLE CABLIN [®] -CA 20P HARNESS	SCALE 2:1	UNIT mm	I-PEX	
				DWG.	K.Fukutomi		DATE					2026/05/27
				CHK.	R.Takei							
0	ZM00904	K.Fu	2026/05/27	-					DWG. No. 82980	SIZE A3	SHEET 1/1	REV. 0
REV.	ECN	BY	DATE	APP.	REVISION RECORD							