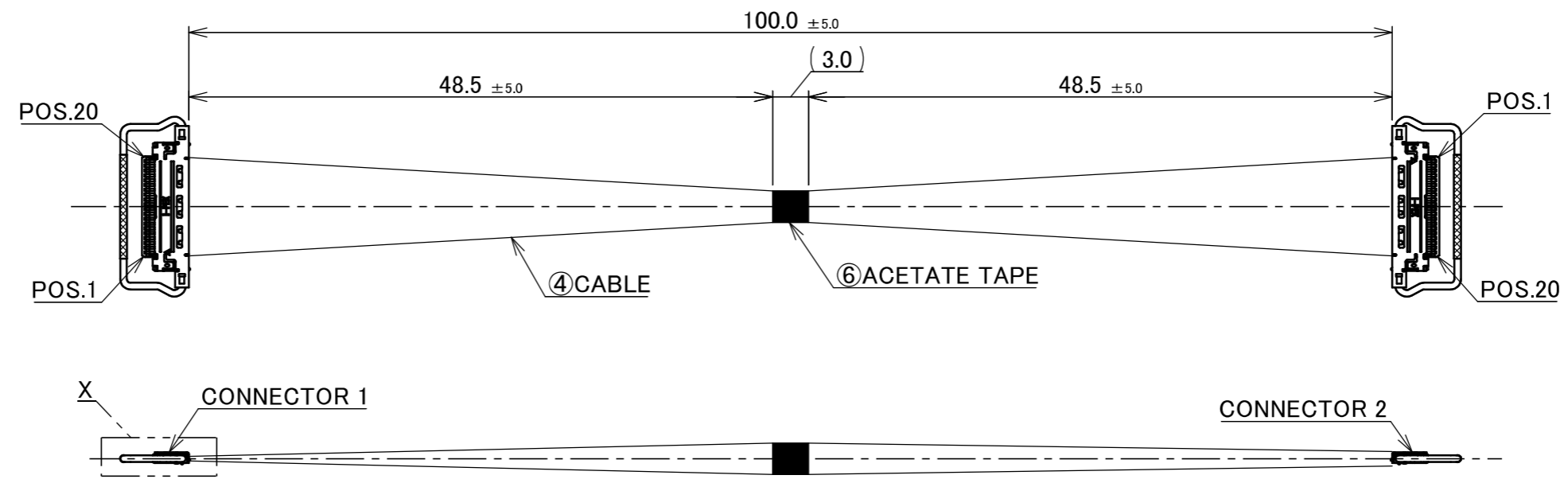
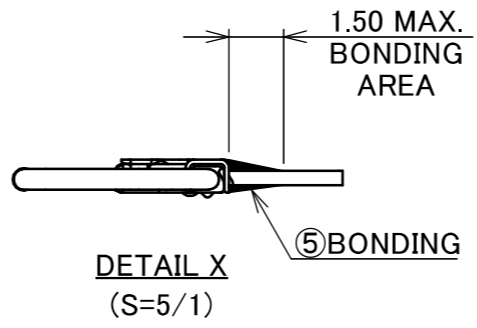
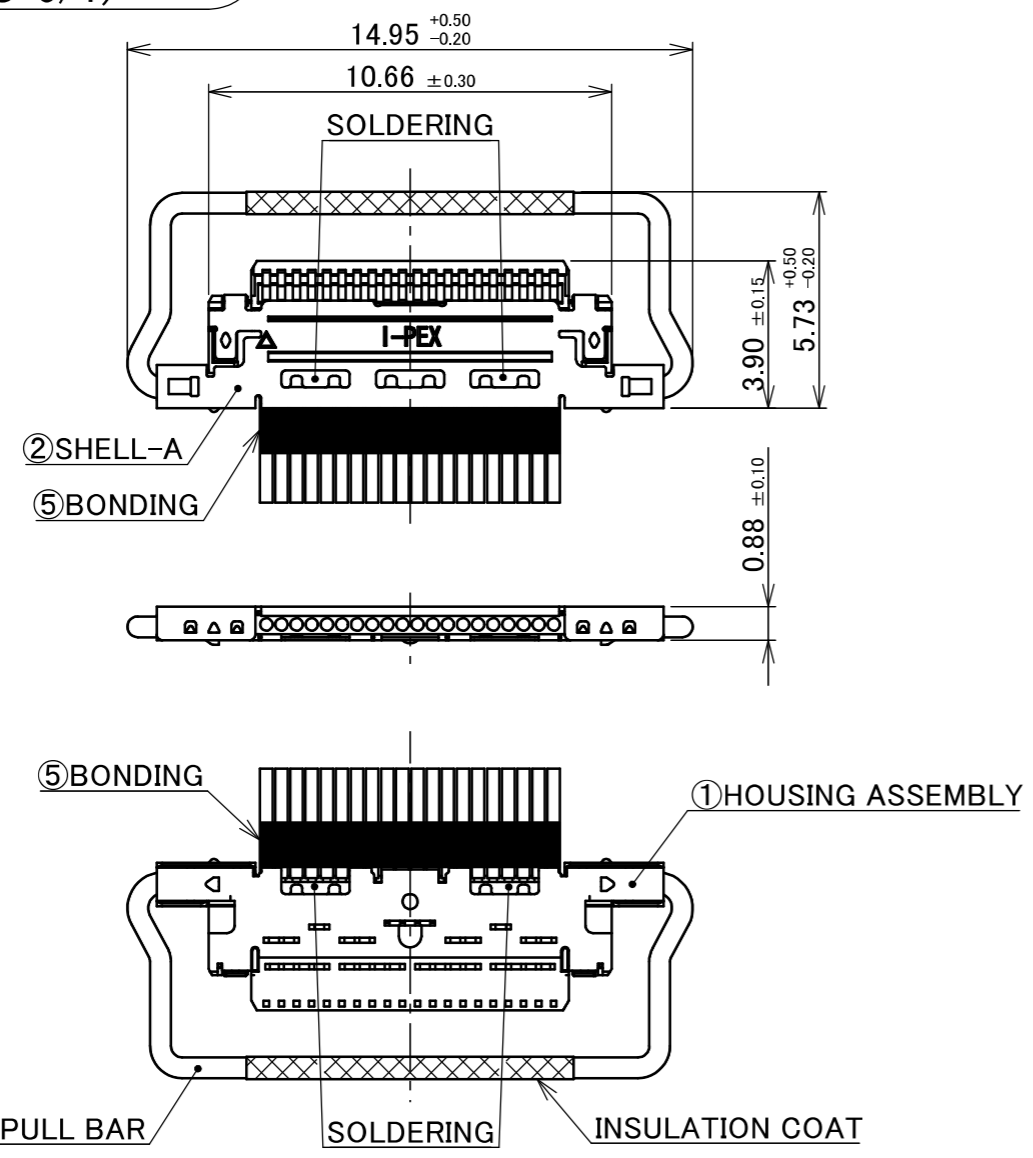


PART No.  
82861-100B-02-D



CONNECTOR 1&2  
(S=5/1)



- NOTE.
- TO HANDLE THIS CONNECTOR YOU MUST READ AND FOLLOW THE INSTRUCTION MANUAL BELOW. I-PEX INSTRUCTION MANUAL No.HIM-09008.
  - ELECTRIC CHARACTERISTICS  
WITHSTANDVOLTAGE : AC 250V LEAKAGE CURRENT 2.0mA MAX.  
INSULATION RESISTANCE : 50MΩ MIN. DC 100V
  - THE OPERATING TEMPERATURE OF THE HARNESS : 80°C MAX.
  - RATING VOLTAGE : 30V

PIN ASSIGNMENT		
CONNECTOR 1	CABLE	CONNECTOR 2
20	MICRO-COAXIAL CABLE AWG#40 50 OHM, BLUE	1
19	MICRO-COAXIAL CABLE AWG#40 50 OHM, BLUE	2
·	MICRO-COAXIAL CABLE AWG#40 50 OHM, BLUE	·
·	MICRO-COAXIAL CABLE AWG#40 50 OHM, BLUE	·
2	MICRO-COAXIAL CABLE AWG#40 50 OHM, BLUE	19
1	MICRO-COAXIAL CABLE AWG#40 50 OHM, BLUE	20

6	ACETATE TAPE	-	1	BLACK
5	BONDING	-	-	UV GLUE
4	CABLE	-	20	MICRO-COAXIAL CABLE AWG#40 50 OHM, BLUE
3	PULL BAR	2766-0201	2	CONNECTOR 1&2
2	SHELL-A	2764-0201-002	2	CABLIN <sup>®</sup> -CA PLUG P/N : 20633-220T-01S CONNECTOR TO BE MATED : 20525-020E-02
1	HOUSING ASSEMBLY	20634-120T-02	2	
NO.	DESCRIPTION	PARTS NO.	QTY	REMARKS

ANGLE ±2° 6 OVER 30 MAX. ±0.3					PROJECTION ④	SERIES No. IH-200016	CUSTOMER COPY	
6 MAX. ±0.2 30 OVER 120 MAX. ±0.5								
GENERAL TOLERANCE.					TITLE CABLIN <sup>®</sup> -CA 20P HARNESS	SCALE 2:1	I-PEX	
DWG. K.Baba DATE 2026/04/08								
CHK. R.Takei								
0	ZM00760	K.B	2026/04/08	-	DWG. No. 82861	SIZE A3	SHEET 1/1	REV. 0
REV.	ECN	BY	DATE	APP.				
REVISION RECORD					T.Masunaga			