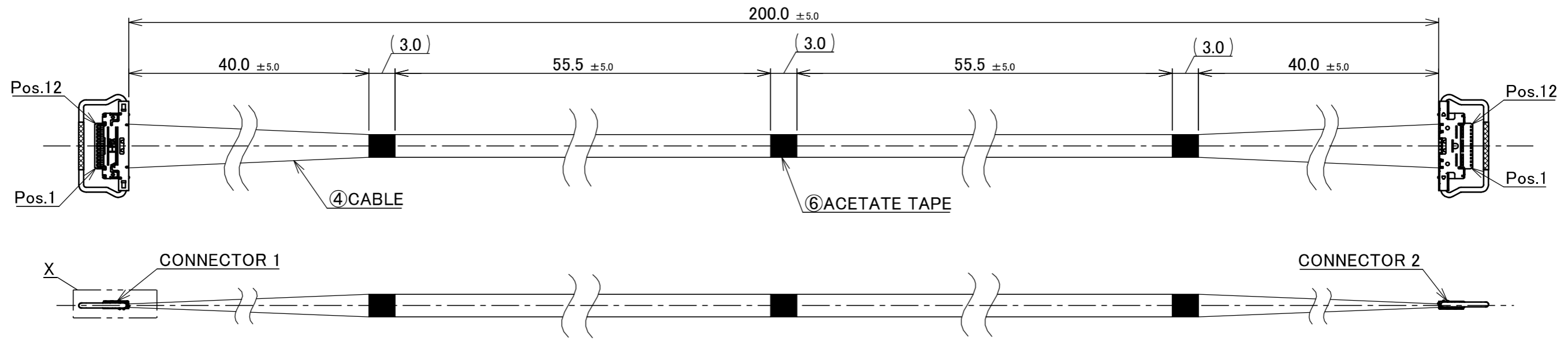
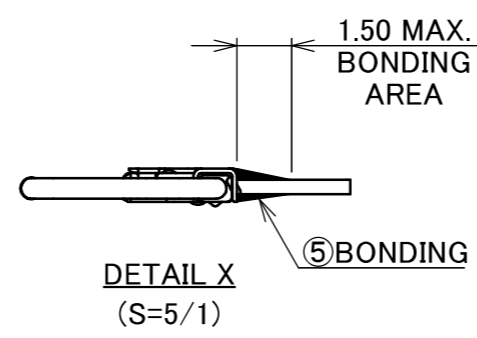
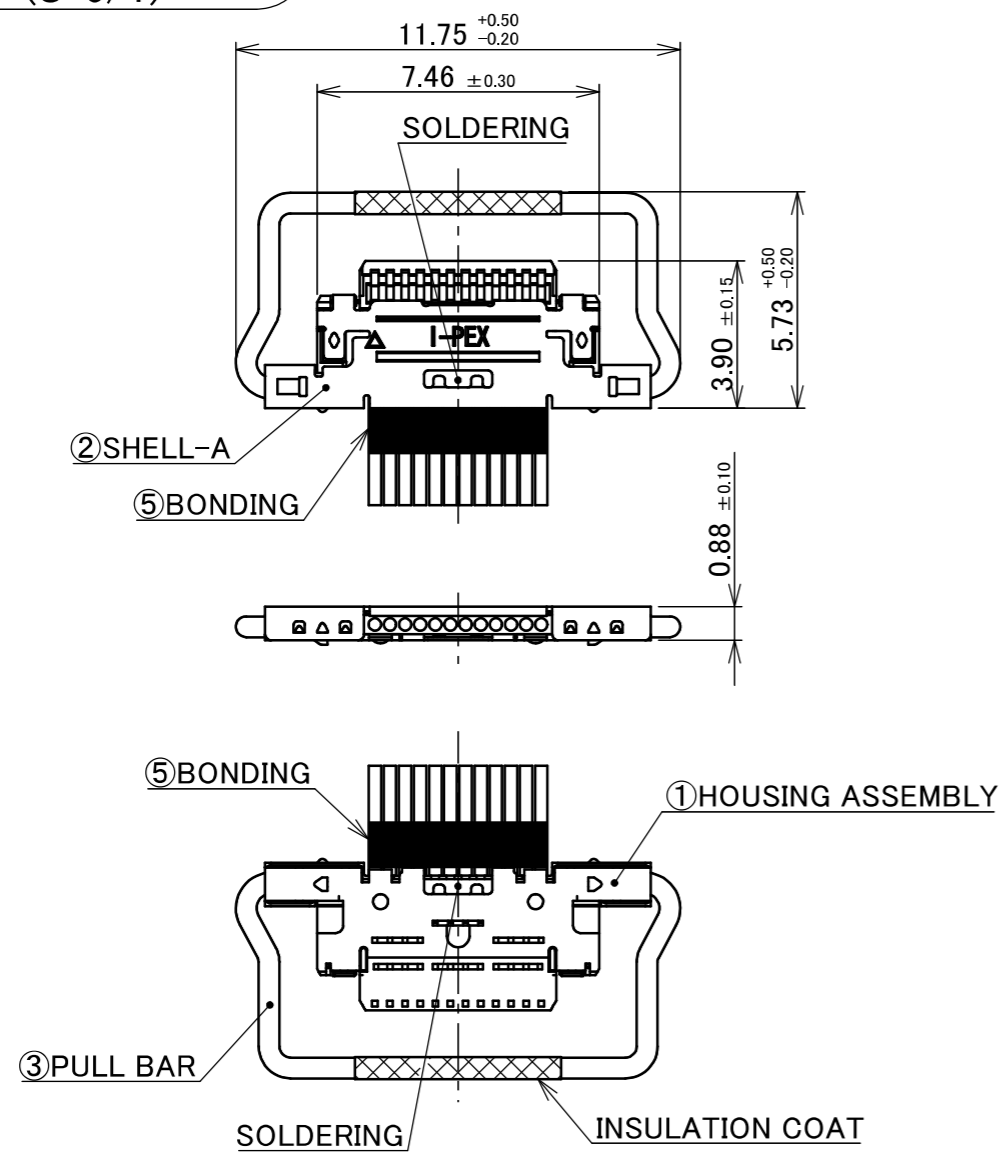


PART No.
82978-100B-01-D



CONNECTOR 1&2
(S=5/1)



- NOTE.
- TO HANDLE THIS CONNECTOR YOU MUST READ AND FOLLOW THE INSTRUCTION MANUAL BELOW. I-PEX INSTRUCTION MANUAL No.HIM-09008.
 - ELECTRIC CHARACTERISTICS
WITHSTANDVOLTAGE : AC 250V LEAKAGE CURRENT 2.0mA MAX.
INSULATION RESISTANCE : 50MΩ MIN. DC 100V
 - THE OPERATING TEMPERATURE OF THE HARNESS : 80°C MAX.
 - RATING VOLTAGE : 30V

PIN ASSIGNMENT		
CONNECTOR 1	CABLE	CONNECTOR 2
12	MICRO-COAXIAL CABLE AWG#40 50 OHM, BLUE	12
11	MICRO-COAXIAL CABLE AWG#40 50 OHM, BLUE	11
·	MICRO-COAXIAL CABLE AWG#40 50 OHM, BLUE	·
·	MICRO-COAXIAL CABLE AWG#40 50 OHM, BLUE	·
·	MICRO-COAXIAL CABLE AWG#40 50 OHM, BLUE	·
2	MICRO-COAXIAL CABLE AWG#40 50 OHM, BLUE	2
1	MICRO-COAXIAL CABLE AWG#40 50 OHM, BLUE	1

NO.	DESCRIPTION	PARTS NO.	QTY	REMARKS
6	ACETATE TAPE	-	3	BLACK
5	BONDING	-	-	UV GLUE
4	CABLE	-	12	MICRO-COAXIAL CABLE AWG#40 50 OHM, BLUE
3	PULL BAR	2766-0121	2	CONNECTOR 1&2 CABLIN [®] -CA PLUG P/N : 20633-212T-01S CONNECTOR TO BE MATED : 20525-012E-02
2	SHELL-A	2764-0121-002	2	
1	HOUSING ASSEMBLY	20634-112T-02	2	

REVISION RECORD					GENERAL TOLERANCE.		PROJECTION		SERIES No.		CUSTOMER COPY	
REV.	ECN	BY	DATE	APP.	ANGLE	±2°	6 OVER 30 MAX.	±0.3		IH-200016	SCALE	2:1
0	ZM00904	K.Fu	2026/05/27	-	6 MAX.	±0.2	30 OVER 120 MAX.	±0.5				
					DWG.		DATE		TITLE		UNIT	
					K.Fukutomi		2026/05/27		CABLIN [®] -CA		mm	
					CHK.		R.Takei		12P HARNESS		I-PEX	
					APP.		T.Masunaga		DWG. No.		SIZE	
					82978		82978		A3		SHEET	
					1/1		REV.		0			