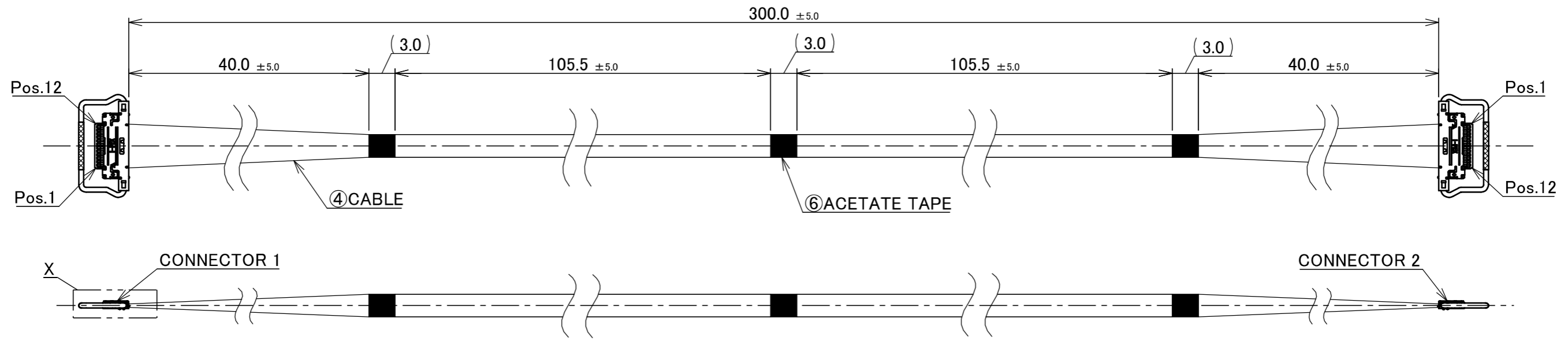
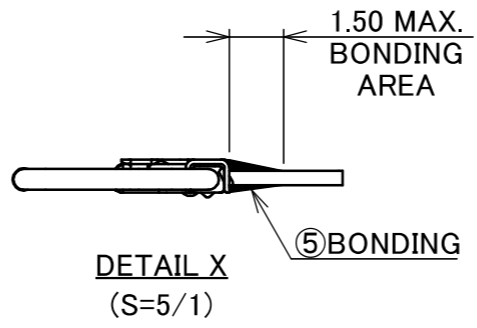
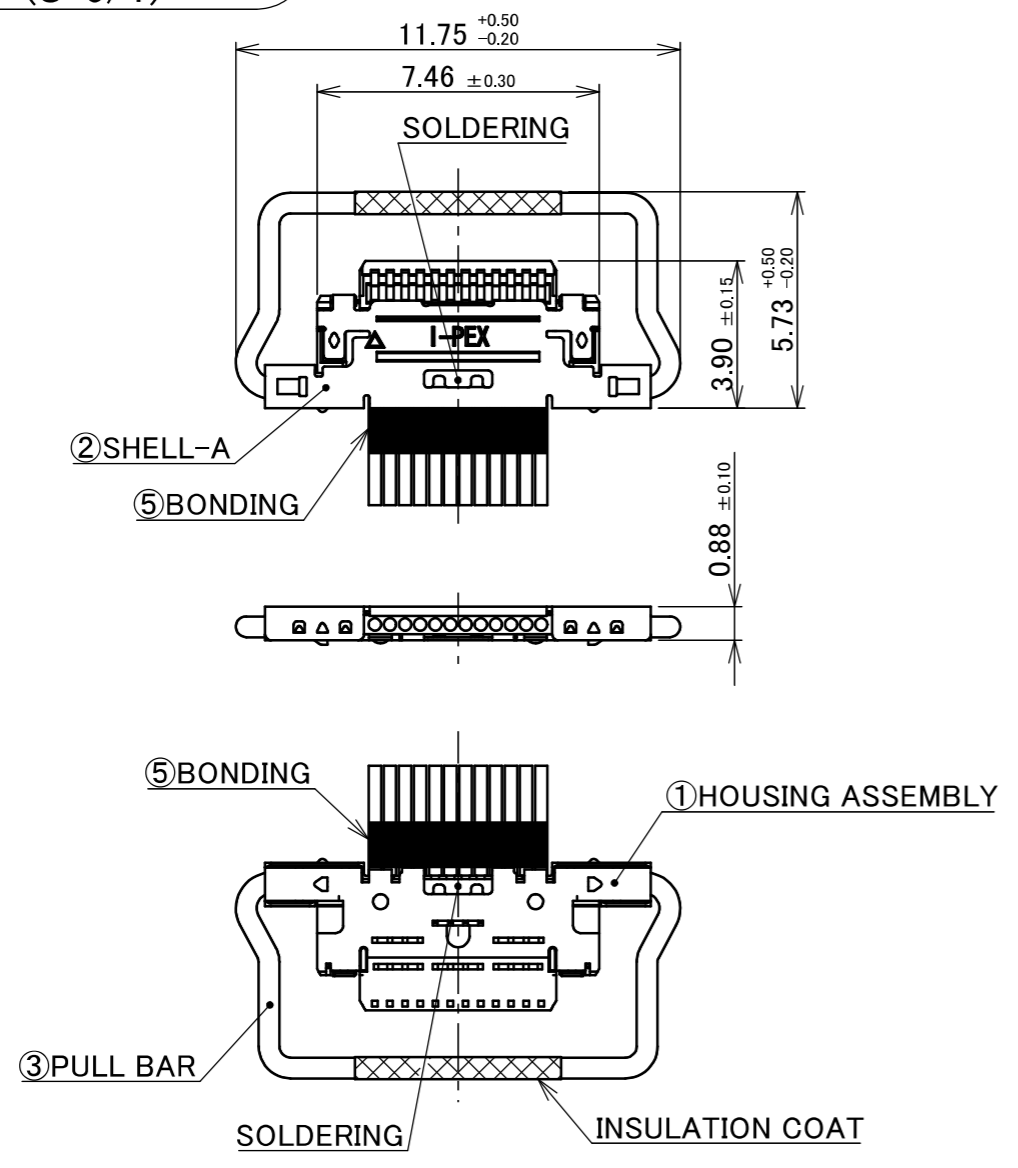


PART No.  
82860-100B-02-D



**CONNECTOR 1&2  
(S=5/1)**



- NOTE.
- TO HANDLE THIS CONNECTOR YOU MUST READ AND FOLLOW THE INSTRUCTION MANUAL BELOW. I-PEX INSTRUCTION MANUAL No.HIM-09008.
  - ELECTRIC CHARACTERISTICS  
WITHSTANDVOLTAGE : AC 250V LEAKAGE CURRENT 2.0mA MAX.  
INSULATION RESISTANCE : 50MΩ MIN. DC 100V
  - THE OPERATING TEMPERATURE OF THE HARNESS : 80°C MAX.
  - RATING VOLTAGE : 30V

PIN ASSIGNMENT		
CONNECTOR 1	CABLE	CONNECTOR 2
12	MICRO-COAXIAL CABLE AWG#40 50 OHM, BLUE	1
11	MICRO-COAXIAL CABLE AWG#40 50 OHM, BLUE	2
·	MICRO-COAXIAL CABLE AWG#40 50 OHM, BLUE	·
·	MICRO-COAXIAL CABLE AWG#40 50 OHM, BLUE	·
·	MICRO-COAXIAL CABLE AWG#40 50 OHM, BLUE	·
2	MICRO-COAXIAL CABLE AWG#40 50 OHM, BLUE	11
1	MICRO-COAXIAL CABLE AWG#40 50 OHM, BLUE	12

NO.	DESCRIPTION	PARTS NO.	QTY	REMARKS
6	ACETATE TAPE	-	3	BLACK
5	BONDING	-	-	UV GLUE
4	CABLE	-	12	MICRO-COAXIAL CABLE AWG#40 50 OHM, BLUE
3	PULL BAR	2766-0121	2	CONNECTOR 1&2  CABLIN <sup>®</sup> -CA PLUG P/N : 20633-212T-01S CONNECTOR TO BE MATED : 20525-012E-02
2	SHELL-A	2764-0121-002	2	
1	HOUSING ASSEMBLY	20634-112T-02	2	

REVISION RECORD					GENERAL TOLERANCE.		PROJECTION		SERIES No.		CUSTOMER COPY	
0	ZM00760	K.B	2026/04/08	-	ANGLE	±2°	6 OVER 30 MAX.	±0.3	IH-200016	IH-200016	SCALE	2:1
REV.	ECN	BY	DATE	APP.	6 MAX.	±0.2	30 OVER 120 MAX.	±0.5				
					DWG.		DATE		TITLE		UNIT	
					K.Baba		2026/04/08		CABLIN <sup>®</sup> -CA 12P HARNESS		mm	
					CHK.		R.Takei		DWG. No.		SIZE	
					APP.		T.Masunaga		82860		SHEET	
					REV.		T.Masunaga		82860		1/1	
					REV.		T.Masunaga		82860		REV.	
					REV.		T.Masunaga		82860		0	