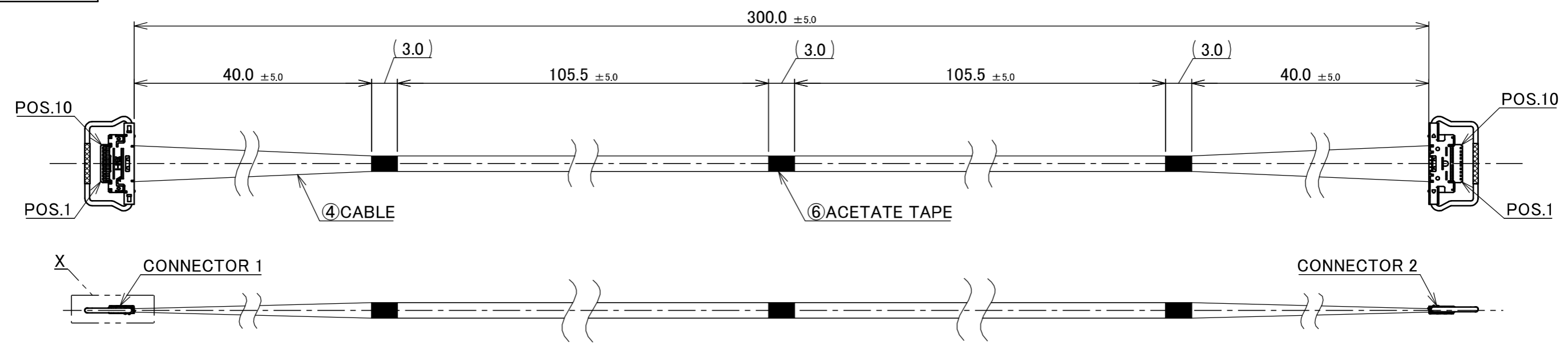
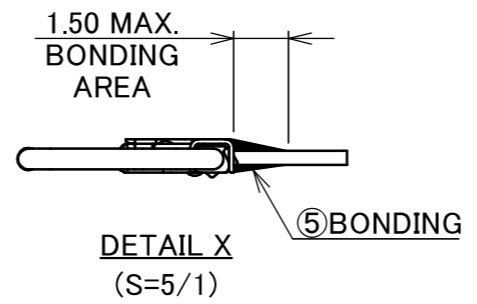
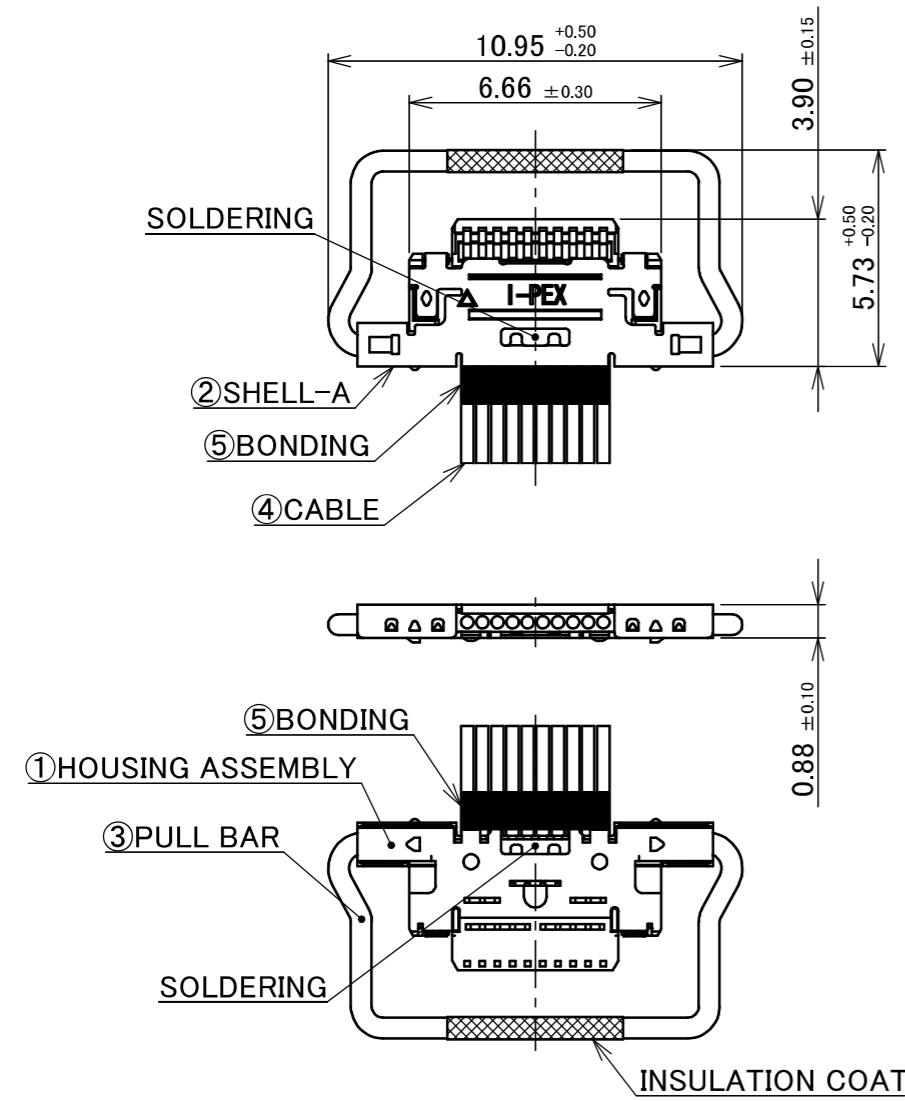


PART No.
82976-100B-01-D



CONNECTOR 1&2
(S=5/1)



PIN ASSIGNMENT		
CONNECTOR 1	CABLE	CONNECTOR 2
10	MICRO-COAXIAL CABLE AWG#40 50 OHM, BLUE	10
·	MICRO-COAXIAL CABLE AWG#40 50 OHM, BLUE	·
·	MICRO-COAXIAL CABLE AWG#40 50 OHM, BLUE	·
1	MICRO-COAXIAL CABLE AWG#40 50 OHM, BLUE	1

- NOTE.
- TO HANDLE THIS CONNECTOR YOU MUST READ AND FOLLOW THE INSTRUCTION MANUAL BELOW. I-PEX INSTRUCTION MANUAL No.HIM-09008.
 - ELECTRIC CHARACTERISTICS
WITHSTANDVOLTAGE : AC 250V LEAKAGE CURRENT 2.0mA MAX.
INSULATION RESISTANCE : 50MΩ MIN. DC 100V
 - THE OPERATING TEMPERATURE OF THE HARNESS : 80°C MAX.
 - RATING VOLTAGE : 30V

6	ACETATE TAPE	-	3	BLACK
5	BONDING	-	-	UV GLUE
4	CABLE	-	10	MICRO-COAXIAL CABLE AWG#40 50 OHM, BLUE
3	PULL BAR	2766-0101	2	CONNECTOR 1&2 CABLINER [®] -CA PLUG P/N : 20633-310T-01S CONNECTOR TO BE MATED : 20525-210E-02
2	SHELL-A	2764-0101-003	2	
1	HOUSING ASSEMBLY	20634-210T-02	2	
NO.	DESCRIPTION	PARTS NO.	QTY	REMARKS
				ANGLE ±2° 6 OVER 30 MAX. ±0.3 6 MAX. ±0.2 30 OVER 120 MAX. ±0.5
				PROJECTION SERIES No. IH-200016
				GENERAL TOLERANCE. TITLE CABLINER [®] -CA 10P HARNESS
				DWG. K.Fukutomi DATE 2026/05/27
				CHK. R.Takei
0	ZM00904	K.Fu	2026/05/27	-
REV.	ECN	BY	DATE	APP.
				T.Masunaga
REVISION RECORD				DWG. No. 82976
				SCALE 2:1
				UNIT mm
				SIZE A3
				SHEET 1/1
				REV. 0