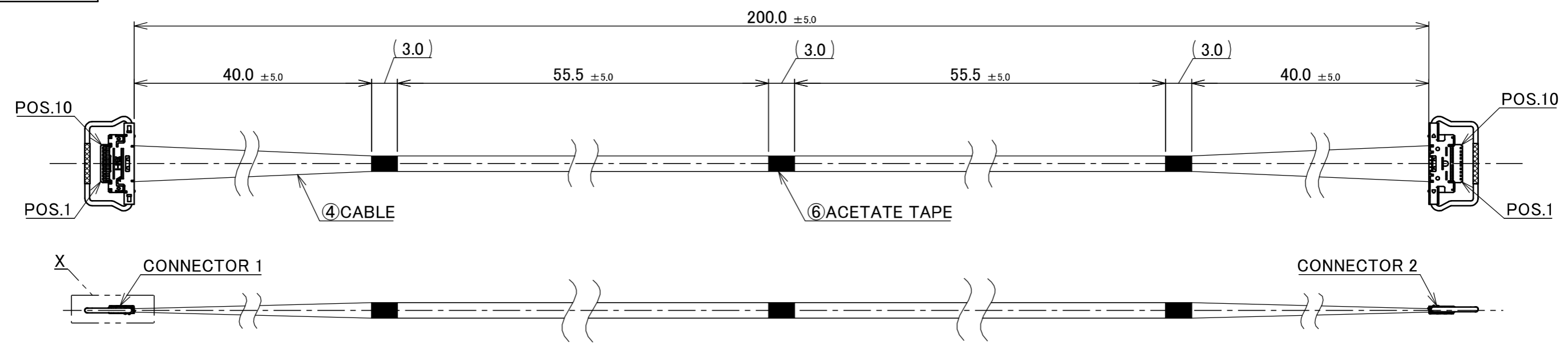
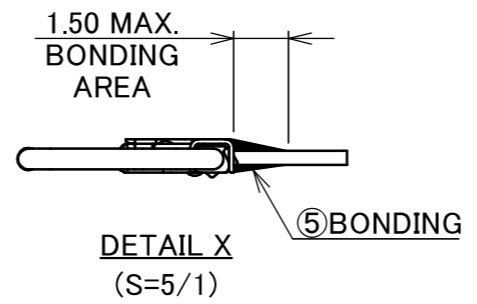
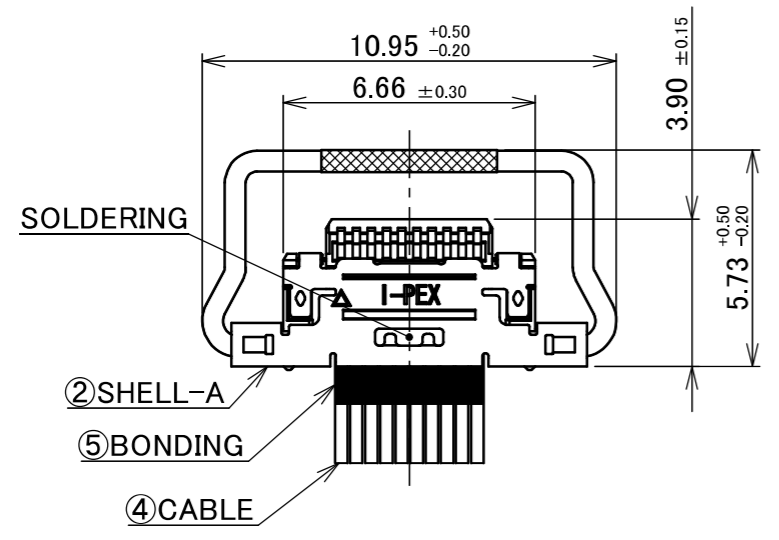


PART No.  
82975-100B-01-D

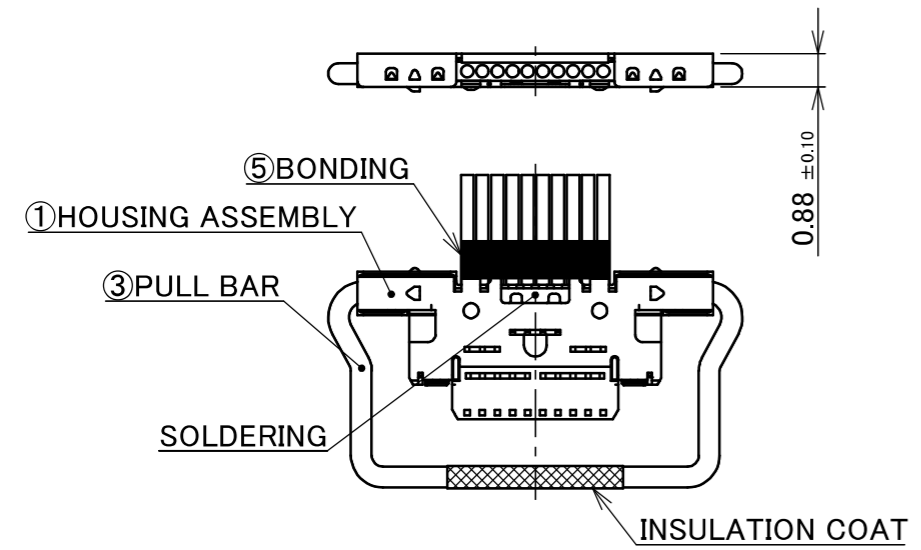


**CONNECTOR 1&2  
(S=5/1)**



PIN ASSIGNMENT		
CONNECTOR 1	CABLE	CONNECTOR 2
10	MICRO-COAXIAL CABLE AWG#40 50 OHM, BLUE	10
⋮	MICRO-COAXIAL CABLE AWG#40 50 OHM, BLUE	⋮
1	MICRO-COAXIAL CABLE AWG#40 50 OHM, BLUE	1

- NOTE.
- TO HANDLE THIS CONNECTOR YOU MUST READ AND FOLLOW THE INSTRUCTION MANUAL BELOW. I-PEX INSTRUCTION MANUAL No.HIM-09008.
  - ELECTRIC CHARACTERISTICS  
WITHSTANDVOLTAGE : AC 250V LEAKAGE CURRENT 2.0mA MAX.  
INSULATION RESISTANCE : 50MΩ MIN. DC 100V
  - THE OPERATING TEMPERATURE OF THE HARNESS : 80°C MAX.
  - RATING VOLTAGE : 30V



6	ACETATE TAPE	-	3	BLACK
5	BONDING	-	-	UV GLUE
4	CABLE	-	10	MICRO-COAXIAL CABLE AWG#40 50 OHM, BLUE
3	PULL BAR	2766-0101	2	CONNECTOR 1&2
2	SHELL-A	2764-0101-003	2	CABLIN <sup>®</sup> -CA PLUG P/N : 20633-310T-01S CONNECTOR TO BE MATED : 20525-210E-02
1	HOUSING ASSEMBLY	20634-210T-02	2	
NO.	DESCRIPTION	PARTS NO.	QTY	REMARKS

ANGLE $\pm 2^\circ$ 6 OVER 30 MAX. $\pm 0.3$ 6 MAX. $\pm 0.2$ 30 OVER 120 MAX. $\pm 0.5$					PROJECTION 	SERIES No. IH-200016	CUSTOMER COPY		
GENERAL TOLERANCE.									
DWG. K.Fukutomi DATE 2026/05/27					TITLE CABLIN <sup>®</sup> -CA 10P HARNESS	SCALE 2:1	<b>I-PEX</b>		
CHK. R.Takei									UNIT mm
REV. ECN BY DATE APP. T.Masunaga									

REVISION RECORD