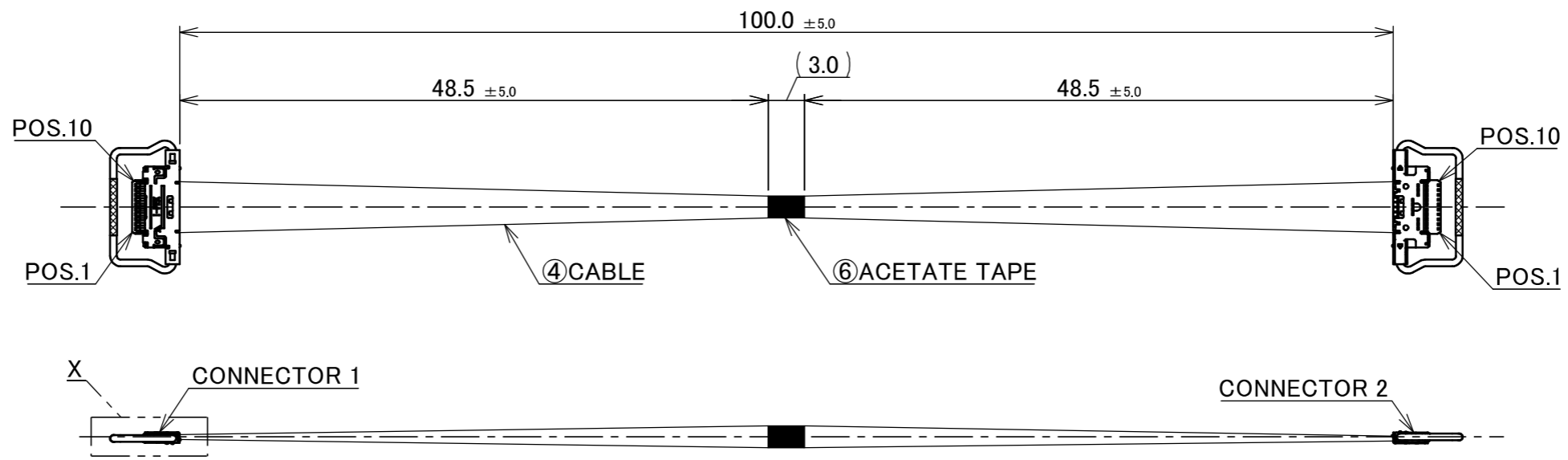
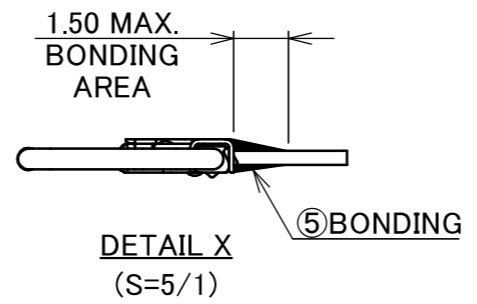
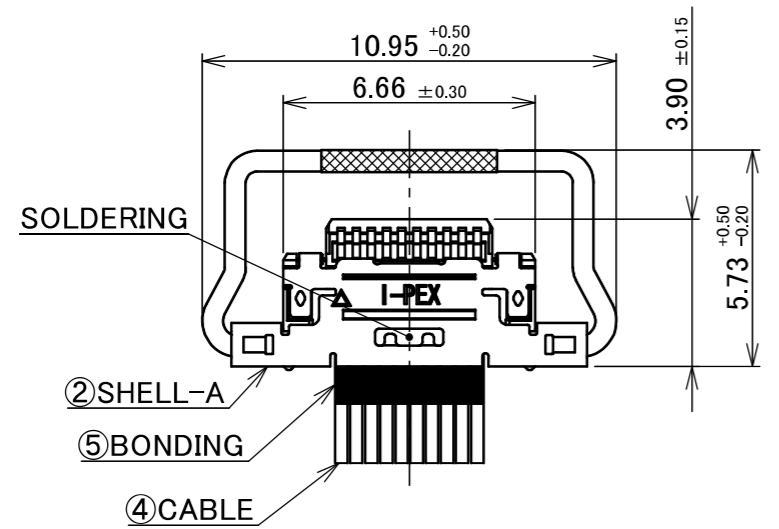


PART No.
82974-100B-01-D

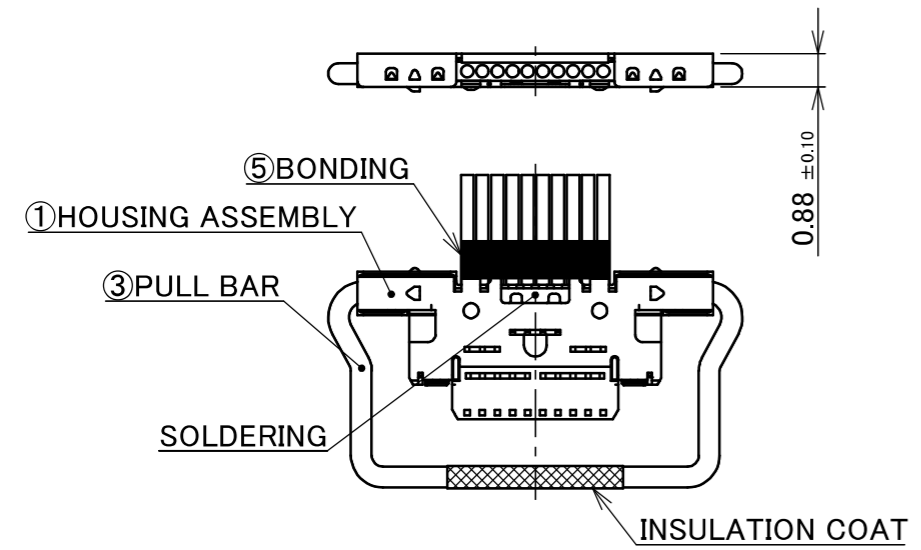


CONNECTOR 1&2
(S=5/1)



| PIN ASSIGNMENT | | |
|----------------|---|-------------|
| CONNECTOR 1 | CABLE | CONNECTOR 2 |
| 10 | MICRO-COAXIAL CABLE AWG#40 50 OHM, BLUE | 10 |
| · | MICRO-COAXIAL CABLE AWG#40 50 OHM, BLUE | · |
| · | MICRO-COAXIAL CABLE AWG#40 50 OHM, BLUE | · |
| 1 | MICRO-COAXIAL CABLE AWG#40 50 OHM, BLUE | 1 |

- NOTE.
- TO HANDLE THIS CONNECTOR YOU MUST READ AND FOLLOW THE INSTRUCTION MANUAL BELOW. I-PEX INSTRUCTION MANUAL No.HIM-09008.
 - ELECTRIC CHARACTERISTICS
WITHSTANDVOLTAGE : AC 250V LEAKAGE CURRENT 2.0mA MAX.
INSULATION RESISTANCE : 50MΩ MIN. DC 100V
 - THE OPERATING TEMPERATURE OF THE HARNESS : 80°C MAX.
 - RATING VOLTAGE : 30V



| 6 | ACETATE TAPE | - | 1 | BLACK |
|-----|------------------|---------------|-----|--|
| 5 | BONDING | - | - | UV GLUE |
| 4 | CABLE | - | 10 | MICRO-COAXIAL CABLE AWG#40 50 OHM, BLUE |
| 3 | PULL BAR | 2766-0101 | 2 | CONNECTOR 1&2 |
| 2 | SHELL-A | 2764-0101-003 | 2 | CABLIN [®] -CA PLUG P/N : 20633-310T-01S CONNECTOR TO BE MATED : 20525-210E-02 |
| 1 | HOUSING ASSEMBLY | 20634-210T-02 | 2 | |
| NO. | DESCRIPTION | PARTS NO. | QTY | REMARKS |

| ANGLE ±2° 6 OVER 30 MAX. ±0.3 6 MAX. ±0.2 30 OVER 120 MAX. ±0.5 | | | | | PROJECTION | | SERIES No. IH-200016 | | CUSTOMER COPY | |
|--|-----|----|------|------|---|--|-------------------------|-------|---------------|--|
| GENERAL TOLERANCE. | | | | | TITLE CABLIN [®] -CA 10P HARNESS | | SCALE 2:1 | | I-PEX | |
| DWG. K.Fukutomi DATE 2026/05/27 | | | | | CHK. R.Takei | | UNIT mm | | SHEET 1/1 | |
| 0 ZM00904 K.Fu 2026/05/27 - | | | | | APP. T.Masunaga | | DWG. No. 82974 | | REV. 0 | |
| REV. | ECN | BY | DATE | APP. | DWG. No. | | SIZE | SHEET | REV. | |
| REVISION RECORD | | | | | 82974 | | A3 | 1/1 | 0 | |

Confidential C

I-PEX Inc.

QKE-DFE06-02 REV.12