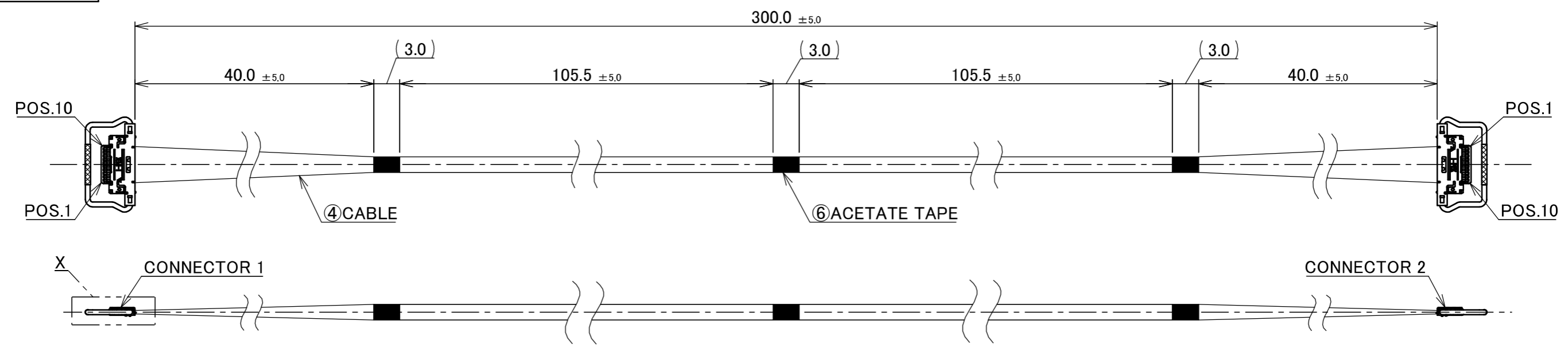
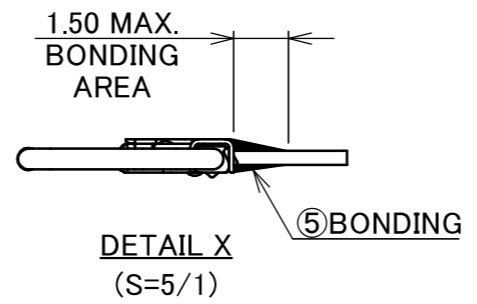
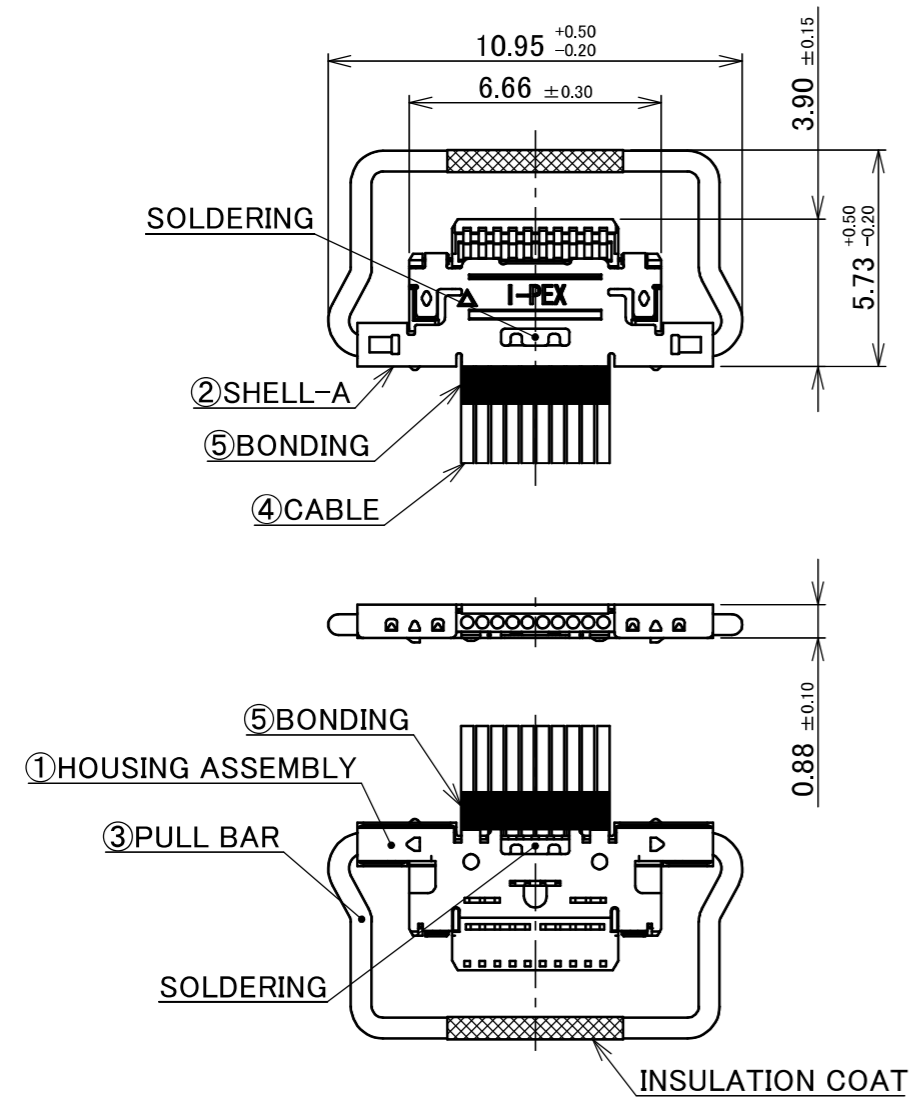


PART No.  
82858-100B-02-D



**CONNECTOR 1&2**  
(S=5/1)



PIN ASSIGNMENT		
CONNECTOR 1	CABLE	CONNECTOR 2
10	MICRO-COAXIAL CABLE AWG#40 50 OHM, BLUE	1
·	MICRO-COAXIAL CABLE AWG#40 50 OHM, BLUE	·
·	MICRO-COAXIAL CABLE AWG#40 50 OHM, BLUE	·
1	MICRO-COAXIAL CABLE AWG#40 50 OHM, BLUE	10

- NOTE.
- TO HANDLE THIS CONNECTOR YOU MUST READ AND FOLLOW THE INSTRUCTION MANUAL BELOW. I-PEX INSTRUCTION MANUAL No.HIM-09008.
  - ELECTRIC CHARACTERISTICS  
WITHSTANDVOLTAGE : AC 250V LEAKAGE CURRENT 2.0mA MAX.  
INSULATION RESISTANCE : 50MΩ MIN. DC 100V
  - THE OPERATING TEMPERATURE OF THE HARNESS : 80°C MAX.
  - RATING VOLTAGE : 30V

6	ACETATE TAPE	-	3	BLACK
5	BONDING	-	-	UV GLUE
4	CABLE	-	10	MICRO-COAXIAL CABLE AWG#40 50 OHM, BLUE
3	PULL BAR	2766-0101	2	CONNECTOR 1&2  CABLINER <sup>®</sup> -CA PLUG P/N : 20633-310T-01S CONNECTOR TO BE MATED : 20525-210E-02
2	SHELL-A	2764-0101-003	2	
1	HOUSING ASSEMBLY	20634-210T-02	2	
NO.	DESCRIPTION	PARTS NO.	QTY	REMARKS
				ANGLE ±2° 6 OVER 30 MAX. ±0.3 6 MAX. ±0.2 30 OVER 120 MAX. ±0.5
				PROJECTION  SERIES No. IH-200016
				GENERAL TOLERANCE. TITLE CABLINER <sup>®</sup> -CA 10P HARNESS
				DWG. K.Baba DATE 2026/04/08
				CHK. R.Takei
0	ZM00760	K.B	2026/04/08	-
REV.	ECN	BY	DATE	APP.
				T.Masunaga
REVISION RECORD				DWG. No. 82858
				SCALE 2:1
				UNIT mm
				SIZE A3
				SHEET 1/1
				REV. 0