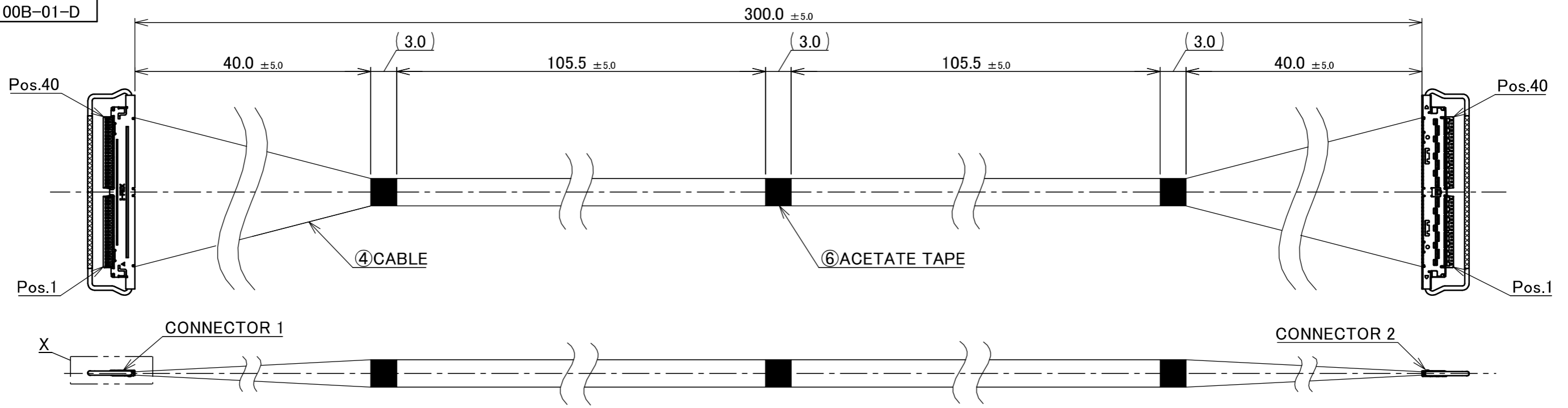
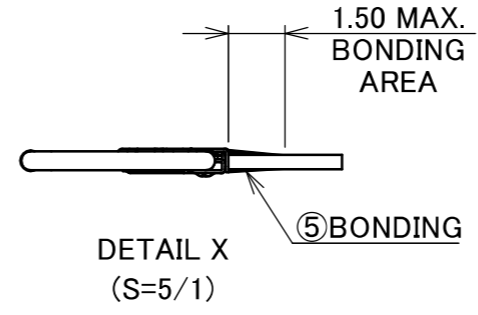
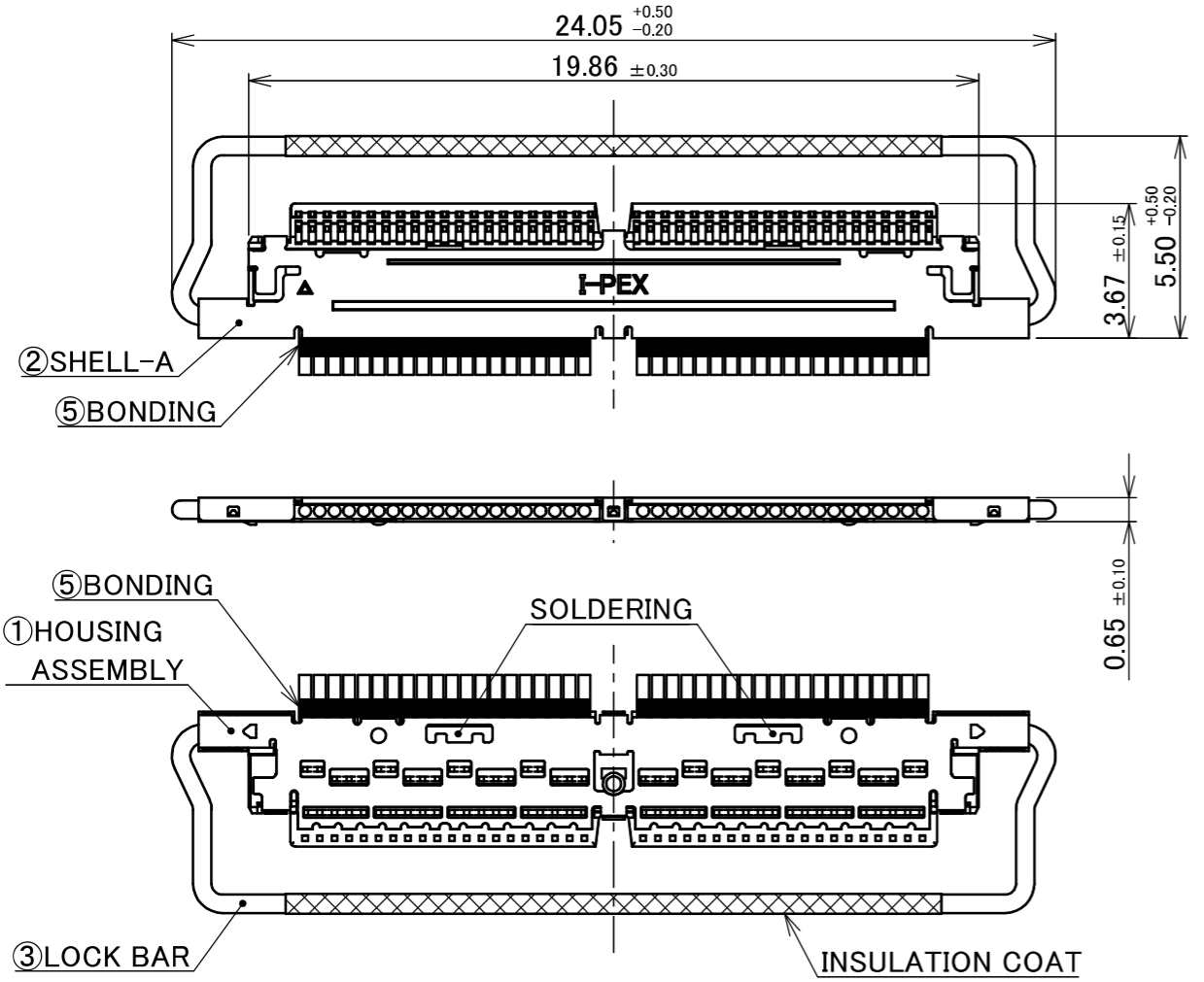


PART No.
83003-100B-01-D



CONNECTOR 1&2
(S=5/1)



PIN ASSIGNMENT		
CONNECTOR 1	CABLE	CONNECTOR 2
40	MICRO-COAXIAL AWG#40 50 OHM, BLUE	40
39	MICRO-COAXIAL AWG#40 50 OHM, BLUE	39
.	MICRO-COAXIAL AWG#40 50 OHM, BLUE	.
2	MICRO-COAXIAL AWG#40 50 OHM, BLUE	2
1	MICRO-COAXIAL AWG#40 50 OHM, BLUE	1

- NOTE.
- TO HANDLE THIS CONNECTOR YOU MUST READ AND FOLLOW THE INSTRUCTION MANUAL BELOW. I-PEX INSTRUCTION MANUAL No.HIM-17010.
 - ELECTRIC CHARACTERISTICS
WITHSTAND VOLTAGE : AC 250V LEAKAGE CURRENT 2.0mA MAX.
INSULATION RESISTANCE : 50MΩ MIN. DC 100V
 - THE OPERATING TEMPERATURE OF THE HARNESS : 80°C MAX.
 - RATING VOLTAGE : 30V

6	ACETATE TAPE	-	3	BLACK
5	BONDING	-	-	UV GLUE
4	CABLE	-	40	MICRO-COAXIAL AWG #40, 50 OHM, BLUE
3	LOCK BAR	3300-0401	2	CONNECTOR 1&2
2	SHELL-A	3298-0401	2	CABLIN [®] -CAL PLUG P/N : 20728-040T-01 CONNECTOR TO BE MATED : 20729-040E-02
1	HOUSING ASSEMBLY	20777-040T-01	2	
NO.	DESCRIPTION	PARTS NO.	QTY	REMARKS

ANGLE ±2° 6 OVER 30 MAX. ±0.3 6 MAX. ±0.2 30 OVER 120 MAX. ±0.5					PROJECTION 		SERIES No. IH-200016		CUSTOMER COPY	
GENERAL TOLERANCE. DWG. K.Fukutomi DATE 2026/05/28 CHK. R.Takei APP. T.Masunaga					TITLE CABLIN [®] -CAL 40P HARNESS		SCALE 2:1 UNIT mm			
0	ZM00911	K.Fu	2026/05/28	-	DWG. No. 83003		SIZE A3		SHEET 1/1	
REVISION RECORD					DWG. No. 83003		REV. 0			

Confidential C

I-PEX Inc.

QKE-DFE06-02 REV.12