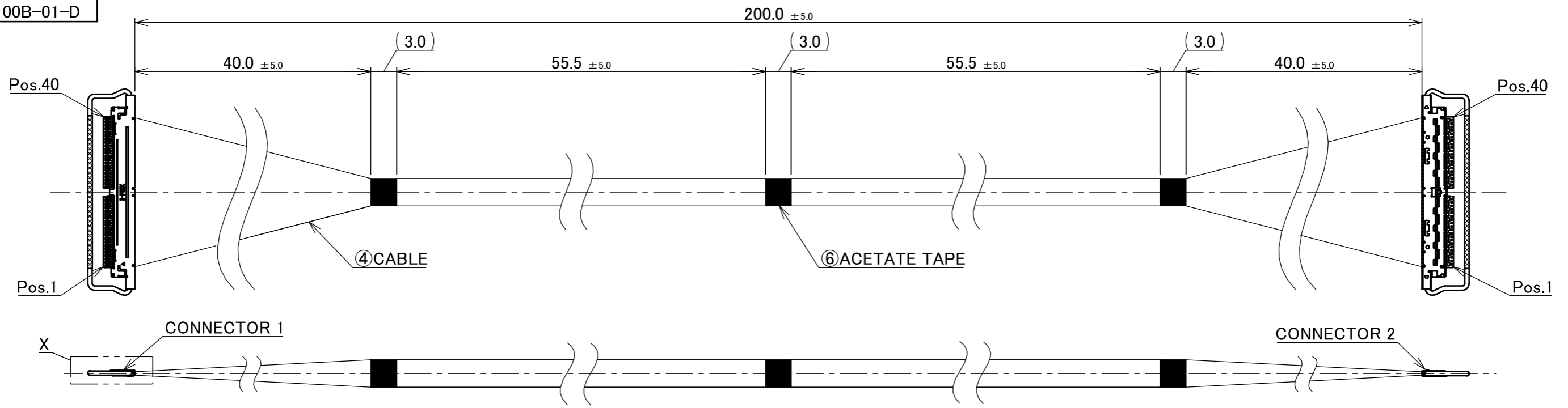
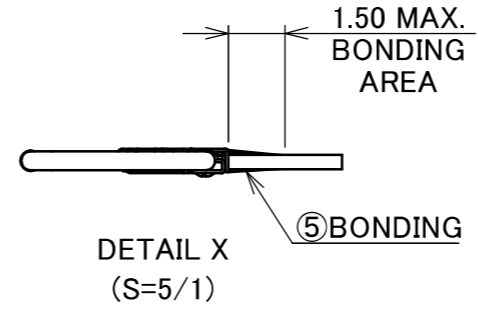
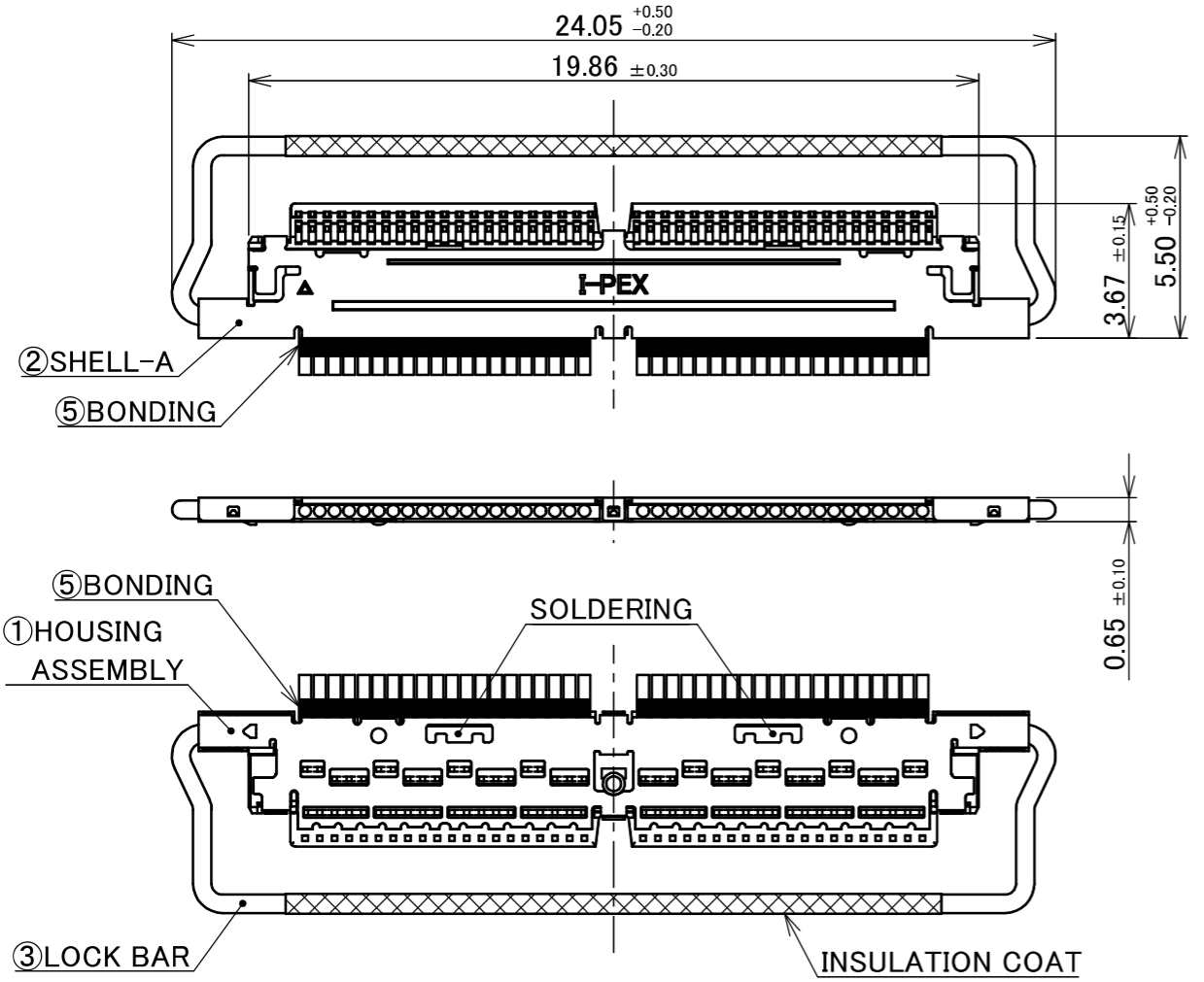


PART No.
83002-100B-01-D



CONNECTOR 1&2
(S=5/1)



| PIN ASSIGNMENT | | |
|----------------|-----------------------------------|-------------|
| CONNECTOR 1 | CABLE | CONNECTOR 2 |
| 40 | MICRO-COAXIAL AWG#40 50 OHM, BLUE | 40 |
| 39 | MICRO-COAXIAL AWG#40 50 OHM, BLUE | 39 |
| . | MICRO-COAXIAL AWG#40 50 OHM, BLUE | . |
| . | MICRO-COAXIAL AWG#40 50 OHM, BLUE | . |
| 2 | MICRO-COAXIAL AWG#40 50 OHM, BLUE | 2 |
| 1 | MICRO-COAXIAL AWG#40 50 OHM, BLUE | 1 |

- NOTE.
- TO HANDLE THIS CONNECTOR YOU MUST READ AND FOLLOW THE INSTRUCTION MANUAL BELOW. I-PEX INSTRUCTION MANUAL No.HIM-17010.
 - ELECTRIC CHARACTERISTICS
WITHSTAND VOLTAGE : AC 250V LEAKAGE CURRENT 2.0mA MAX.
INSULATION RESISTANCE : 50MΩ MIN. DC 100V
 - THE OPERATING TEMPERATURE OF THE HARNESS : 80°C MAX.
 - RATING VOLTAGE : 30V

| 6 | ACETATE TAPE | - | 3 | BLACK |
|--------------------|------------------|---------------|-------------|--|
| 5 | BONDING | - | - | UV GLUE |
| 4 | CABLE | - | 40 | MICRO-COAXIAL AWG #40, 50 OHM, BLUE |
| 3 | LOCK BAR | 3300-0401 | 2 | CONNECTOR 1&2 |
| 2 | SHELL-A | 3298-0401 | 2 | CABLIN [®] -CAL PLUG P/N : 20728-040T-01 CONNECTOR TO BE MATED : 20729-040E-02 |
| 1 | HOUSING ASSEMBLY | 20777-040T-01 | 2 | |
| NO. | DESCRIPTION | PARTS NO. | QTY | REMARKS |
| | | ANGLE | ±2° | 6 OVER 30 MAX. ±0.3 |
| | | | 6 MAX. ±0.2 | 30 OVER 120 MAX. ±0.5 |
| GENERAL TOLERANCE. | | | | PROJECTION |
| DWG. K.Fukutomi | | | | DATE 2026/05/28 |
| CHK. R.Takei | | | | TITLE CABLIN [®] -CAL 40P HARNESS |
| APP. T.Masunaga | | | | SERIES No. IH-200016 |
| REVISION RECORD | | | | CUSTOMER COPY |
| 0 | ZM00911 | K.Fu | 2026/05/28 | - |
| REV. | ECN | BY | DATE | APP. |
| DWG. No. 83002 | | | | SCALE 2:1 |
| | | | | UNIT mm |
| | | | | SIZE A3 |
| | | | | SHEET 1/1 |
| | | | | REV. 0 |

Confidential C

I-PEX Inc.

QKE-DFE06-02 REV.12