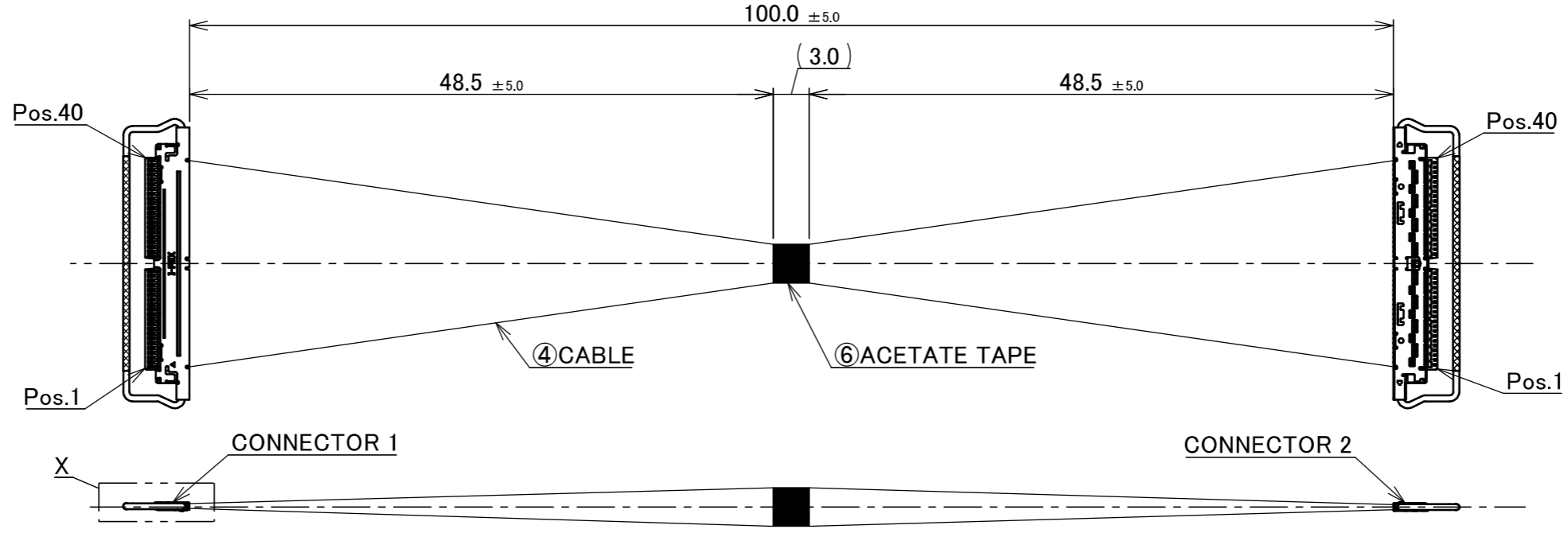
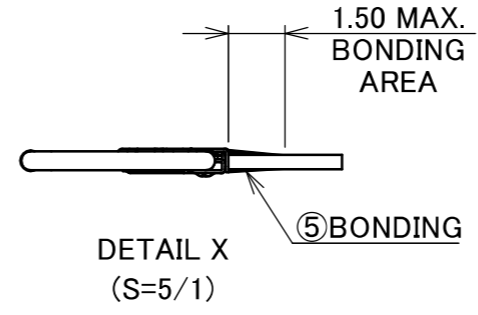
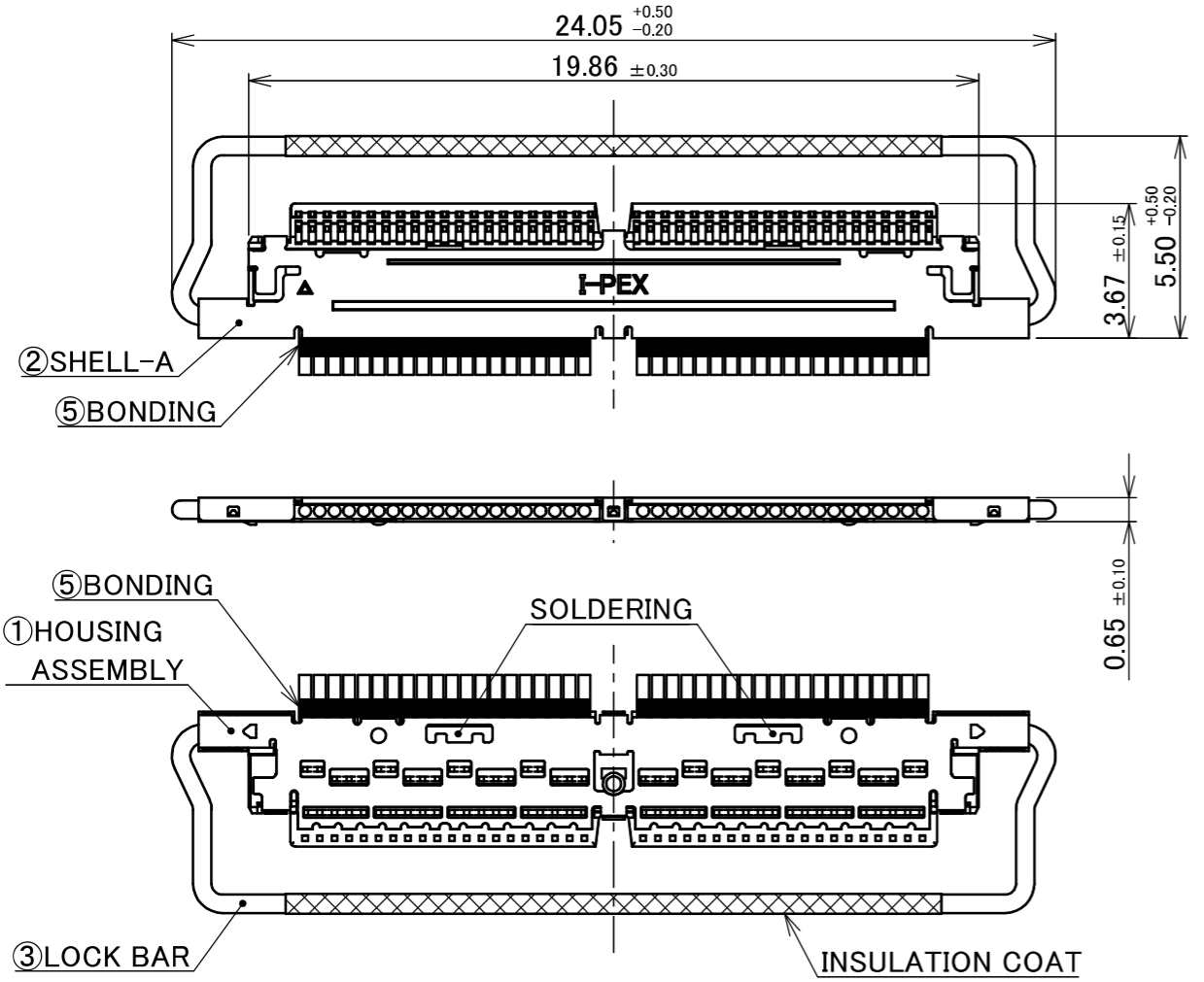


PART No.  
83001-100B-01-D



**CONNECTOR 1&2**  
(S=5/1)



| PIN ASSIGNMENT |                                   |             |
|----------------|-----------------------------------|-------------|
| CONNECTOR 1    | CABLE                             | CONNECTOR 2 |
| 40             | MICRO-COAXIAL AWG#40 50 OHM, BLUE | 40          |
| 39             | MICRO-COAXIAL AWG#40 50 OHM, BLUE | 39          |
| .              | MICRO-COAXIAL AWG#40 50 OHM, BLUE | .           |
| 2              | MICRO-COAXIAL AWG#40 50 OHM, BLUE | 2           |
| 1              | MICRO-COAXIAL AWG#40 50 OHM, BLUE | 1           |

- NOTE.
1. TO HANDLE THIS CONNECTOR YOU MUST READ AND FOLLOW THE INSTRUCTION MANUAL BELOW. I-PEX INSTRUCTION MANUAL No.HIM-17010.
  2. ELECTRIC CHARACTERISTICS  
WITHSTAND VOLTAGE : AC 250V LEAKAGE CURRENT 2.0mA MAX.  
INSULATION RESISTANCE : 50MΩ MIN. DC 100V
  3. THE OPERATING TEMPERATURE OF THE HARNESS : 80°C MAX.
  4. RATING VOLTAGE : 30V

| 6   | ACETATE TAPE     | -             | 1   | BLACK  |
|-----|------------------|---------------|-----|--|
| 5   | BONDING          | -             | -   | UV GLUE  |
| 4   | CABLE            | -             | 40  | MICRO-COAXIAL AWG #40, 50 OHM, BLUE  |
| 3   | LOCK BAR         | 3300-0401     | 2   | CONNECTOR 1&2  |
| 2   | SHELL-A          | 3298-0401     | 2   | CABLIN <sup>®</sup> -CAL PLUG P/N : 20728-040T-01<br>CONNECTOR TO BE MATED : 20729-040E-02 |
| 1   | HOUSING ASSEMBLY | 20777-040T-01 | 2   |  |
| NO. | DESCRIPTION      | PARTS NO.     | QTY | REMARKS  |

|   |            |  |                  |                |                         |               |                |       |                |                         |               |  |        |      |                  |      |   |  |                    |  |  |       |      |      |     |            |            |      |      |         |  |    |   |         |      |            |   |          |       |      |       |      |      |     |    |      |      |            |       |    |     |   |
|---|------------|--|------------------|----------------|-------------------------|---------------|----------------|-------|----------------|-------------------------|---------------|--|--------|------|------------------|------|---|--|--------------------|--|--|-------|------|------|-----|------------|------------|------|------|---------|--|----|---|---------|------|------------|---|----------|-------|------|-------|------|------|-----|----|------|------|------------|-------|----|-----|---|
| <table border="0"> <tr> <td>ANGLE</td> <td>±2°</td> <td>6 OVER 30 MAX.</td> <td>±0.3</td> <td rowspan="2">PROJECTION<br/></td> <td rowspan="2">SERIES No.<br/>IH-200016</td> <td rowspan="2">CUSTOMER COPY</td> </tr> <tr> <td></td> <td>6 MAX.</td> <td>±0.2</td> <td>30 OVER 120 MAX.</td> <td>±0.5</td> </tr> </table> |            |  |                  |                | ANGLE                   | ±2°           | 6 OVER 30 MAX. | ±0.3  | PROJECTION<br> | SERIES No.<br>IH-200016 | CUSTOMER COPY |  | 6 MAX. | ±0.2 | 30 OVER 120 MAX. | ±0.5 | <table border="0"> <tr> <td colspan="2">GENERAL TOLERANCE.</td> <td rowspan="3">TITLE<br/>CABLIN<sup>®</sup>-CAL<br/>40P HARNESS</td> <td>SCALE</td> </tr> <tr> <td>DWG.</td> <td>DATE</td> <td>2:1</td> </tr> <tr> <td>K.Fukutomi</td> <td>2026/05/28</td> <td>UNIT</td> </tr> <tr> <td>CHK.</td> <td>R.Takei</td> <td></td> <td>mm</td> </tr> <tr> <td>0</td> <td>ZM00911</td> <td>K.Fu</td> <td>2026/05/28</td> <td>-</td> <td>DWG. No.</td> <td>83001</td> <td>SIZE</td> <td>SHEET</td> <td>REV.</td> </tr> <tr> <td>REV.</td> <td>ECN</td> <td>BY</td> <td>DATE</td> <td>APP.</td> <td>T.Masunaga</td> <td>83001</td> <td>A3</td> <td>1/1</td> <td>0</td> </tr> </table> |  | GENERAL TOLERANCE. |  | TITLE<br>CABLIN <sup>®</sup> -CAL<br>40P HARNESS | SCALE | DWG. | DATE | 2:1 | K.Fukutomi | 2026/05/28 | UNIT | CHK. | R.Takei |  | mm | 0 | ZM00911 | K.Fu | 2026/05/28 | - | DWG. No. | 83001 | SIZE | SHEET | REV. | REV. | ECN | BY | DATE | APP. | T.Masunaga | 83001 | A3 | 1/1 | 0 |
| ANGLE   | ±2°        | 6 OVER 30 MAX.                                   | ±0.3             | PROJECTION<br> | SERIES No.<br>IH-200016 | CUSTOMER COPY |                |       |                |                         |               |  |        |      |                  |      |   |  |                    |  |  |       |      |      |     |            |            |      |      |         |  |    |   |         |      |            |   |          |       |      |       |      |      |     |    |      |      |            |       |    |     |   |
|   | 6 MAX.     | ±0.2   | 30 OVER 120 MAX. |                |                         |               | ±0.5           |       |                |                         |               |  |        |      |                  |      |   |  |                    |  |  |       |      |      |     |            |            |      |      |         |  |    |   |         |      |            |   |          |       |      |       |      |      |     |    |      |      |            |       |    |     |   |
| GENERAL TOLERANCE.  |            | TITLE<br>CABLIN <sup>®</sup> -CAL<br>40P HARNESS | SCALE            |                |                         |               |                |       |                |                         |               |  |        |      |                  |      |   |  |                    |  |  |       |      |      |     |            |            |      |      |         |  |    |   |         |      |            |   |          |       |      |       |      |      |     |    |      |      |            |       |    |     |   |
| DWG.  | DATE       |  | 2:1              |                |                         |               |                |       |                |                         |               |  |        |      |                  |      |   |  |                    |  |  |       |      |      |     |            |            |      |      |         |  |    |   |         |      |            |   |          |       |      |       |      |      |     |    |      |      |            |       |    |     |   |
| K.Fukutomi  | 2026/05/28 |  | UNIT             |                |                         |               |                |       |                |                         |               |  |        |      |                  |      |   |  |                    |  |  |       |      |      |     |            |            |      |      |         |  |    |   |         |      |            |   |          |       |      |       |      |      |     |    |      |      |            |       |    |     |   |
| CHK.  | R.Takei    |  | mm               |                |                         |               |                |       |                |                         |               |  |        |      |                  |      |   |  |                    |  |  |       |      |      |     |            |            |      |      |         |  |    |   |         |      |            |   |          |       |      |       |      |      |     |    |      |      |            |       |    |     |   |
| 0   | ZM00911    | K.Fu   | 2026/05/28       | -              | DWG. No.                | 83001         | SIZE           | SHEET | REV.           |                         |               |  |        |      |                  |      |   |  |                    |  |  |       |      |      |     |            |            |      |      |         |  |    |   |         |      |            |   |          |       |      |       |      |      |     |    |      |      |            |       |    |     |   |
| REV.  | ECN        | BY   | DATE             | APP.           | T.Masunaga              | 83001         | A3             | 1/1   | 0              |                         |               |  |        |      |                  |      |   |  |                    |  |  |       |      |      |     |            |            |      |      |         |  |    |   |         |      |            |   |          |       |      |       |      |      |     |    |      |      |            |       |    |     |   |

REVISION RECORD

Confidential C

I-PEX Inc.

QKE-DFE06-02 REV.12