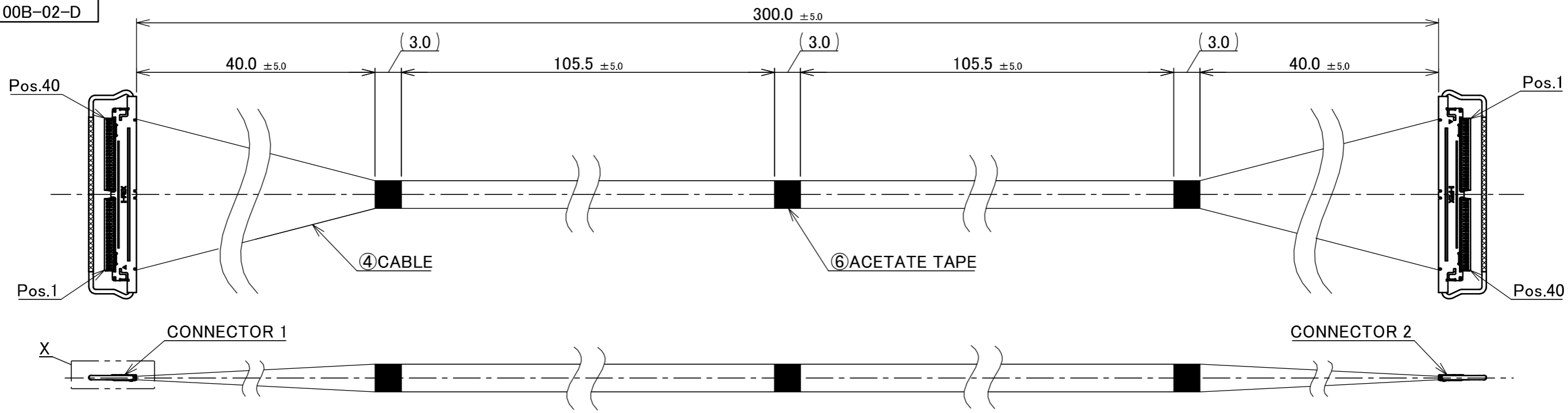
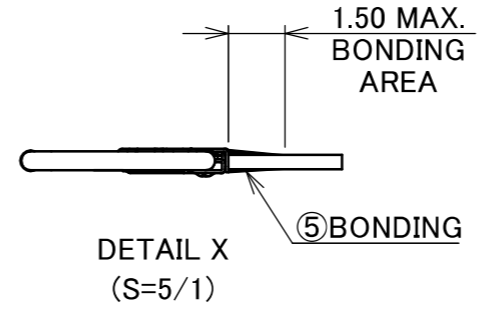
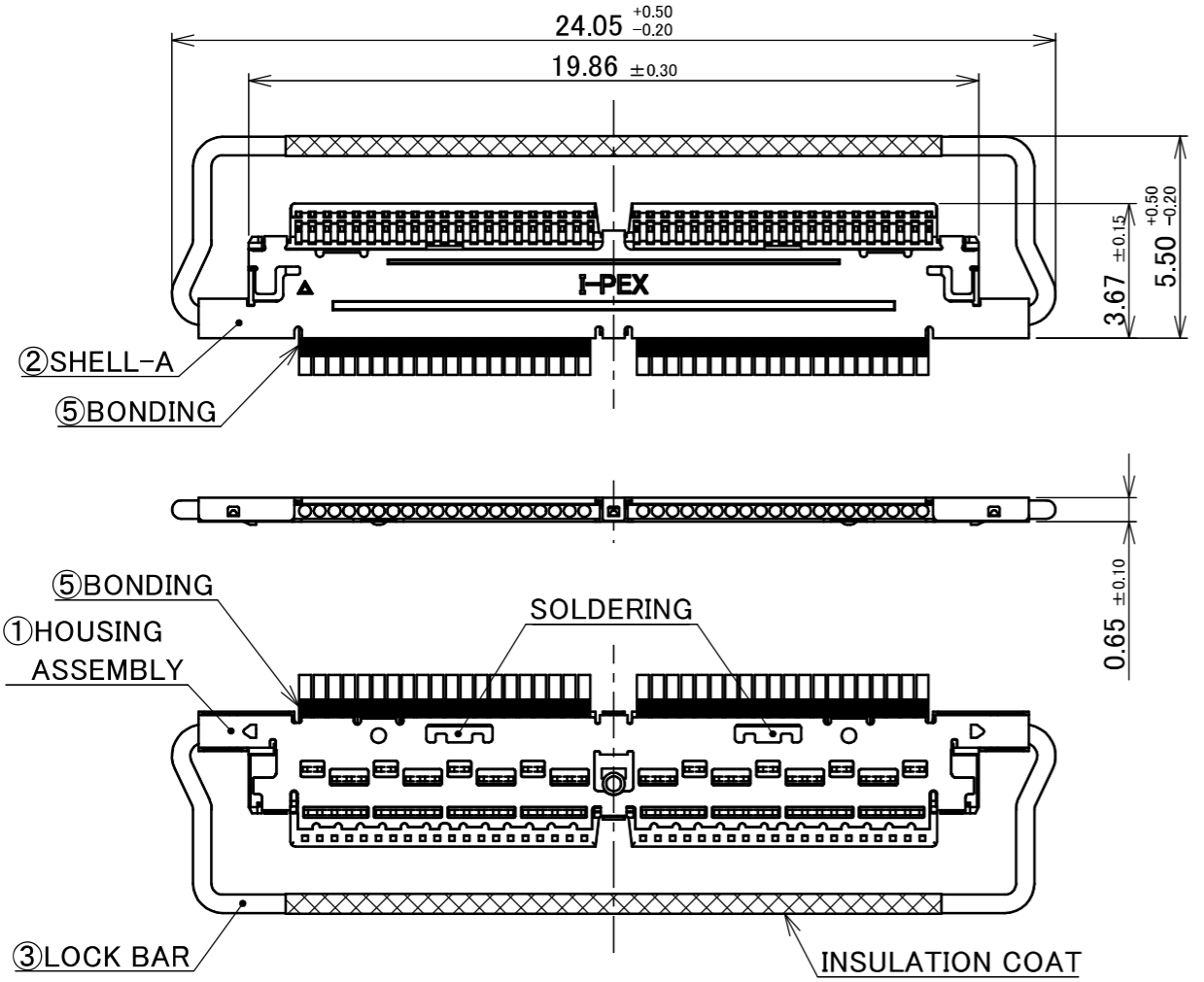


PART No.  
82876-100B-02-D



CONNECTOR 1&2  
(S=5/1)



PIN ASSIGNMENT		
CONNECTOR 1	CABLE	CONNECTOR 2
40	MICRO-COAXIAL AWG#40 50 OHM, BLUE	1
39	MICRO-COAXIAL AWG#40 50 OHM, BLUE	2
.	MICRO-COAXIAL AWG#40 50 OHM, BLUE	.
.	MICRO-COAXIAL AWG#40 50 OHM, BLUE	.
2	MICRO-COAXIAL AWG#40 50 OHM, BLUE	39
1	MICRO-COAXIAL AWG#40 50 OHM, BLUE	40

- NOTE.
- TO HANDLE THIS CONNECTOR YOU MUST READ AND FOLLOW THE INSTRUCTION MANUAL BELOW. I-PEX INSTRUCTION MANUAL No.HIM-17010.
  - ELECTRIC CHARACTERISTICS  
WITHSTAND VOLTAGE : AC 250V LEAKAGE CURRENT 2.0mA MAX.  
INSULATION RESISTANCE : 50MΩ MIN. DC 100V
  - THE OPERATING TEMPERATURE OF THE HARNESS : 80°C MAX.
  - RATING VOLTAGE : 30V

6	ACETATE TAPE	-	3	BLACK
5	BONDING	-	-	UV GLUE
4	CABLE	-	40	MICRO-COAXIAL AWG #40, 50 OHM, BLUE
3	LOCK BAR	3300-0401	2	CONNECTOR 1&2
2	SHELL-A	3298-0401	2	CABLIN <sup>®</sup> -CAL PLUG P/N : 20728-040T-01 CONNECTOR TO BE MATED : 20729-040E-02
1	HOUSING ASSEMBLY	20777-040T-01	2	
NO.	DESCRIPTION	PARTS NO.	QTY	REMARKS
		ANGLE	±2°	6 OVER 30 MAX. ±0.3
			6 MAX. ±0.2	30 OVER 120 MAX. ±0.5
		GENERAL TOLERANCE.		PROJECTION
		DWG.	DATE	SERIES No.
		K.Fukutomi	2026/04/08	IH-200016
		CHK.	R.Takei	TITLE
0	ZM00759	K.Fu	2026/04/08	-
REV.	ECN	BY	DATE	APP.
				T.Masunaga
REVISION RECORD				DWG. No.
				82876
				SCALE
				2:1
				UNIT
				mm
				SIZE
				A3
				SHEET
				1/1
				REV.
				0
				CUSTOMER COPY
				I-PEX

Confidential C

I-PEX Inc.

QKE-DFE06-02 REV.12