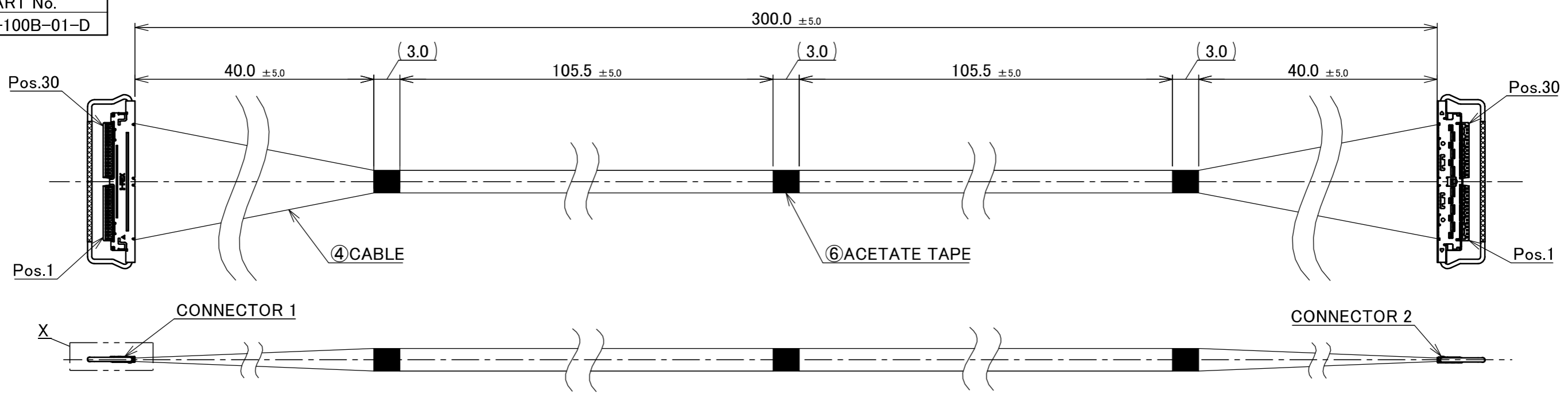
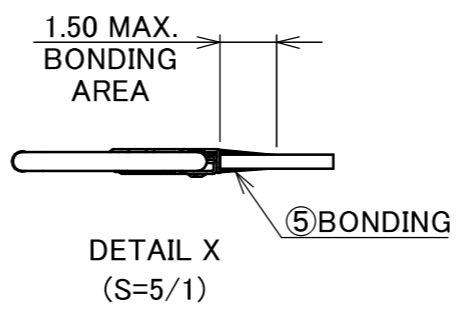
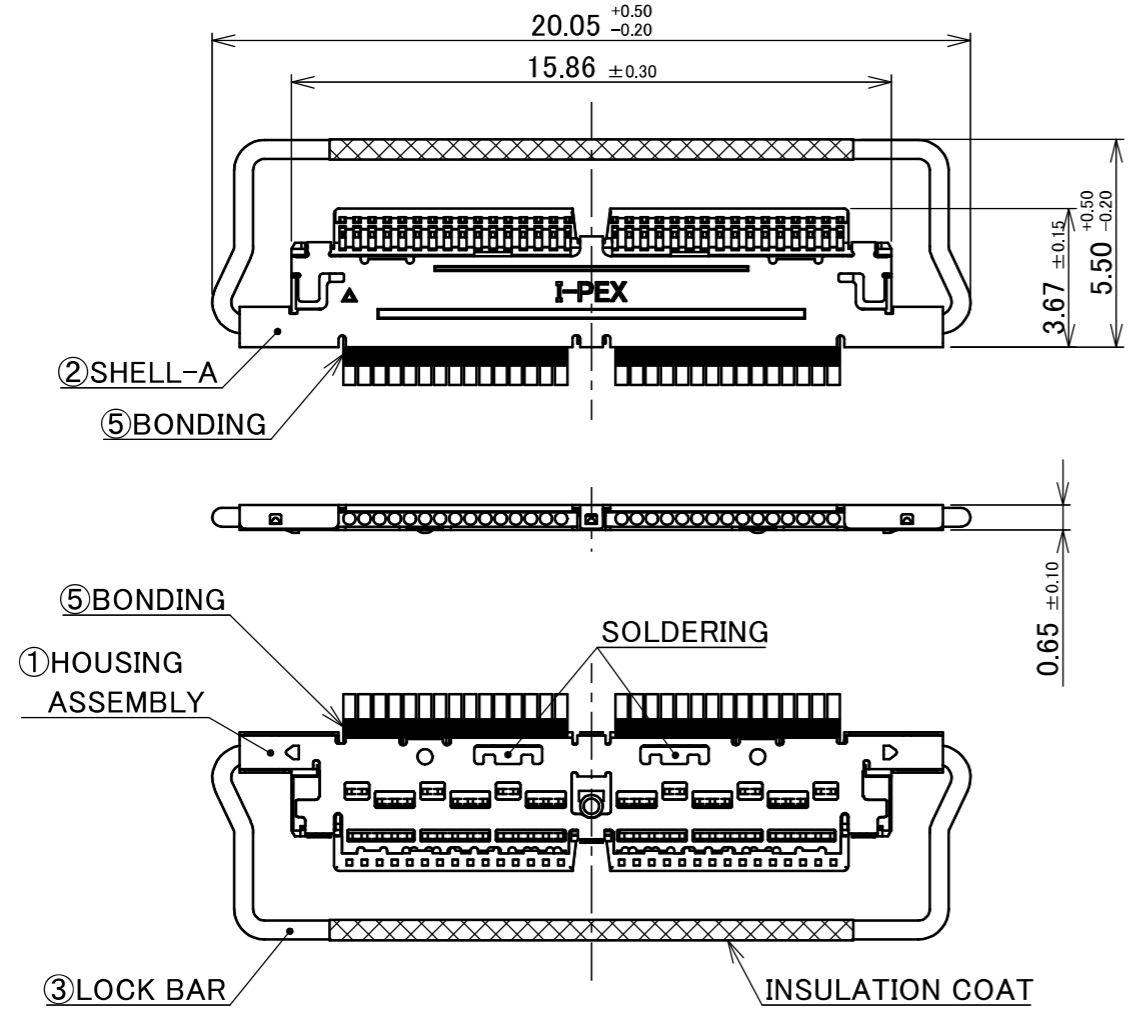


PART No.  
83000-100B-01-D



CONNECTOR 1&2  
(S=5/1)



PIN ASSIGNMENT		
CONNECTOR 1	CABLE	CONNECTOR 2
30	MICRO-COAXIAL AWG#40 50 OHM, BLUE	30
29	MICRO-COAXIAL AWG#40 50 OHM, BLUE	29
·	MICRO-COAXIAL AWG#40 50 OHM, BLUE	·
·	MICRO-COAXIAL AWG#40 50 OHM, BLUE	·
·	MICRO-COAXIAL AWG#40 50 OHM, BLUE	·
2	MICRO-COAXIAL AWG#40 50 OHM, BLUE	2
1	MICRO-COAXIAL AWG#40 50 OHM, BLUE	1

NOTE.

- TO HANDLE THIS CONNECTOR YOU MUST READ AND FOLLOW THE INSTRUCTION MANUAL BELOW. I-PEX INSTRUCTION MANUAL No.HIM-17010.
- ELECTRIC CHARACTERISTICS  
WITHSTAND VOLTAGE : AC 250V LEAKAGE CURRENT 2.0mA MAX.  
INSULATION RESISTANCE : 50MΩ MIN. DC 100V
- THE OPERATING TEMPERATURE OF THE HARNESS : 80°C MAX.
- RATING VOLTAGE : 30V

6	ACETATE TAPE	-	3	BLACK
5	BONDING	-	-	UV GLUE
4	CABLE	-	30	MICRO-COAXIAL AWG #40, 50 OHM, BLUE
3	LOCK BAR	3300-0301	2	CONNECTOR 1&2
2	SHELL-A	3298-0301	2	CABLIN <sup>®</sup> -CAL PLUG P/N : 20728-030T-01 CONNECTOR TO BE MATED : 20729-030E-02
1	HOUSING ASSEMBLY	20777-030T-01	2	
NO.	DESCRIPTION	PARTS NO.	QTY	REMARKS

ANGLE ±2° 6 OVER 30 MAX. ±0.3 6 MAX. ±0.2 30 OVER 120 MAX. ±0.5					PROJECTION 	SERIES No. IH-200016	CUSTOMER COPY	
GENERAL TOLERANCE.								
DWG. K.Fukutomi DATE 2026/05/28					TITLE CABLIN <sup>®</sup> -CAL 30P HARNESS	SCALE 2:1	<b>I-PEX</b>	
CHK. R.Takei								
0	ZM00911	K.Fu	2026/05/28	-	DWG. No. 83000	SIZE A3	SHEET 1/1	REV. 0
REV.	ECN	BY	DATE	APP.				
REVISION RECORD T.Masunaga								

Confidential C

I-PEX Inc.

QKE-DFE06-02 REV.12