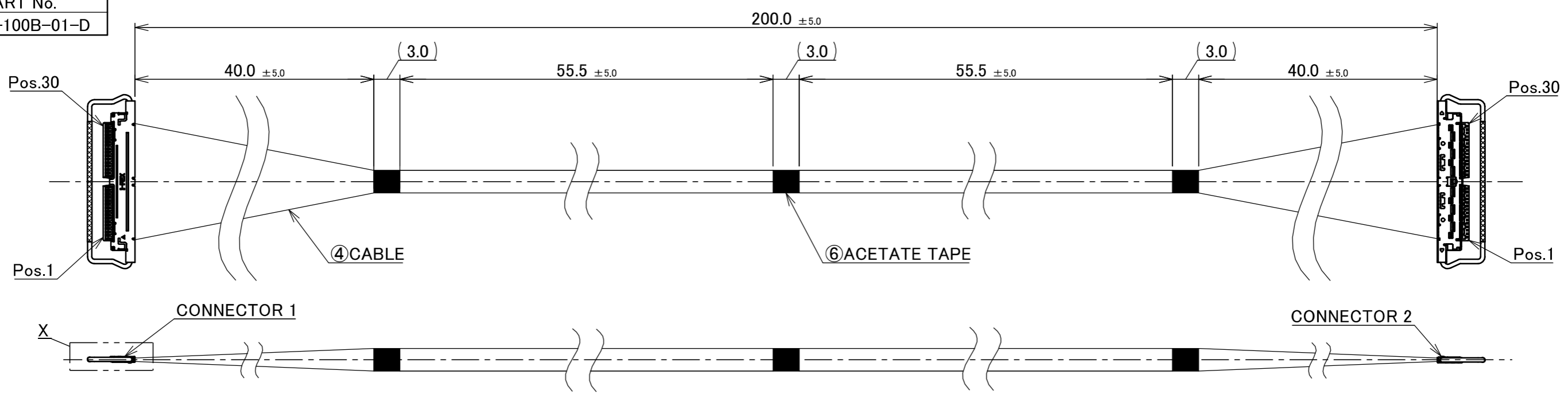
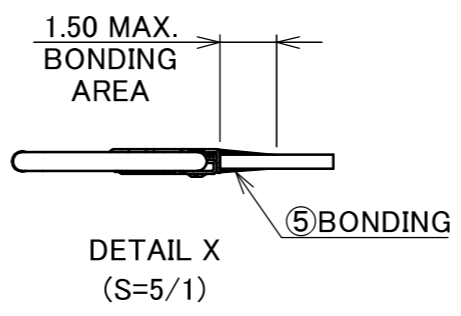
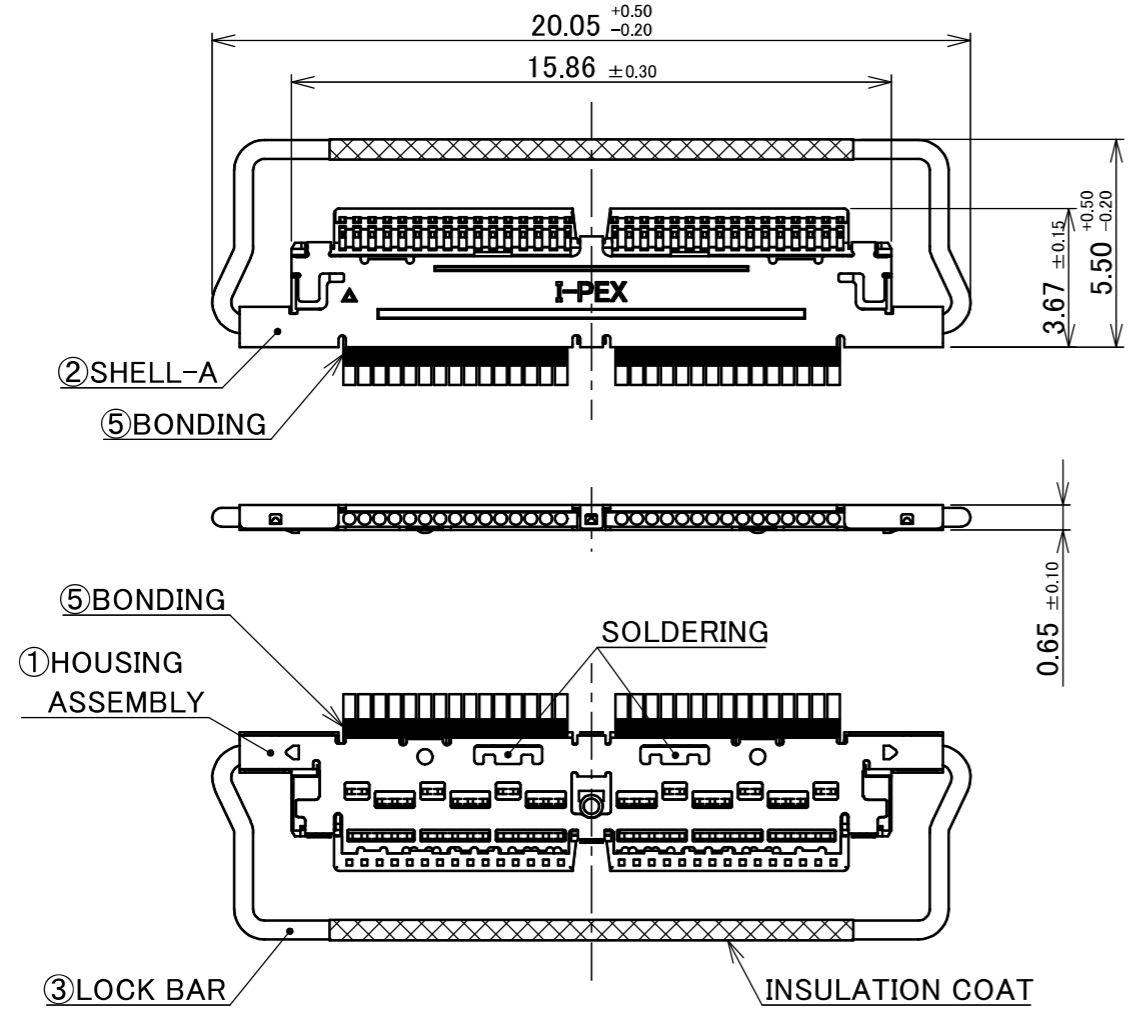


PART No.  
82999-100B-01-D



**CONNECTOR 1&2  
(S=5/1)**



| PIN ASSIGNMENT |                                   |             |
|----------------|-----------------------------------|-------------|
| CONNECTOR 1    | CABLE                             | CONNECTOR 2 |
| 30             | MICRO-COAXIAL AWG#40 50 OHM, BLUE | 30          |
| 29             | MICRO-COAXIAL AWG#40 50 OHM, BLUE | 29          |
| ·              | MICRO-COAXIAL AWG#40 50 OHM, BLUE | ·           |
| ·              | MICRO-COAXIAL AWG#40 50 OHM, BLUE | ·           |
| ·              | MICRO-COAXIAL AWG#40 50 OHM, BLUE | ·           |
| 2              | MICRO-COAXIAL AWG#40 50 OHM, BLUE | 2           |
| 1              | MICRO-COAXIAL AWG#40 50 OHM, BLUE | 1           |

NOTE.  
 1. TO HANDLE THIS CONNECTOR YOU MUST READ AND FOLLOW THE INSTRUCTION MANUAL BELOW. I-PEX INSTRUCTION MANUAL No.HIM-17010.  
 2. ELECTRIC CHARACTERISTICS  
 WITHSTAND VOLTAGE : AC 250V LEAKAGE CURRENT 2.0mA MAX.  
 INSULATION RESISTANCE : 50MΩ MIN. DC 100V  
 3. THE OPERATING TEMPERATURE OF THE HARNESS : 80°C MAX.  
 4. RATING VOLTAGE : 30V

| 6   | ACETATE TAPE     | -             | 3   | BLACK   |
|-----|------------------|---------------|-----|---|
| 5   | BONDING          | -             | -   | UV GLUE   |
| 4   | CABLE            | -             | 30  | MICRO-COAXIAL AWG #40, 50 OHM, BLUE   |
| 3   | LOCK BAR         | 3300-0301     | 2   | CONNECTOR 1&2<br><br>CABLINER <sup>®</sup> -CAL PLUG P/N : 20728-030T-01<br>CONNECTOR TO BE MATED : 20729-030E-02 |
| 2   | SHELL-A          | 3298-0301     | 2   |   |
| 1   | HOUSING ASSEMBLY | 20777-030T-01 | 2   |   |
| NO. | DESCRIPTION      | PARTS NO.     | QTY | REMARKS   |

| ANGLE ±2° 6 OVER 30 MAX. ±0.3<br>6 MAX. ±0.2 30 OVER 120 MAX. ±0.5    |         |      |            |   | PROJECTION<br> | SERIES No.<br>IH-200016 | CUSTOMER COPY |    |   |                            |   |       |
|---|---------|------|------------|---|----------------|-------------------------|---------------|----|---|----------------------------|---|-------|
| GENERAL TOLERANCE.<br>DWG. K.Fukutomi DATE 2026/05/28<br>CHK. R.Takei |         |      |            |   |                |                         |               |    | TITLE<br>CABLINE <sup>®</sup> -CAL<br>30P HARNESS | SCALE<br>2:1<br>UNIT<br>mm |   |       |
| 0   | ZM00911 | K.Fu | 2026/05/28 | - | DWG. No.       | 82999                   | SIZE          | A3 |   |                            |   | SHEET |
| REVISION RECORD   |         |      |            |   | 82999          |                         | A3            |    | 1/1   |                            | 0 |       |