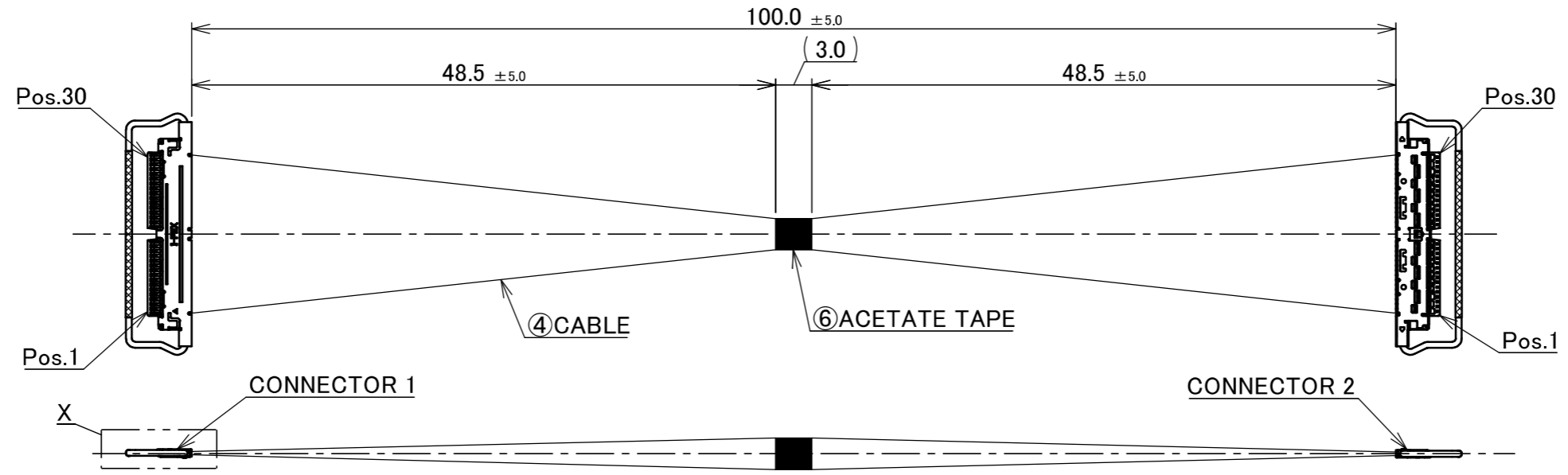
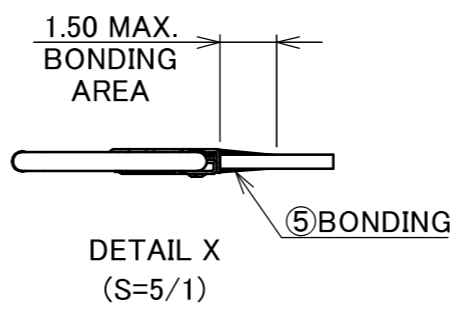
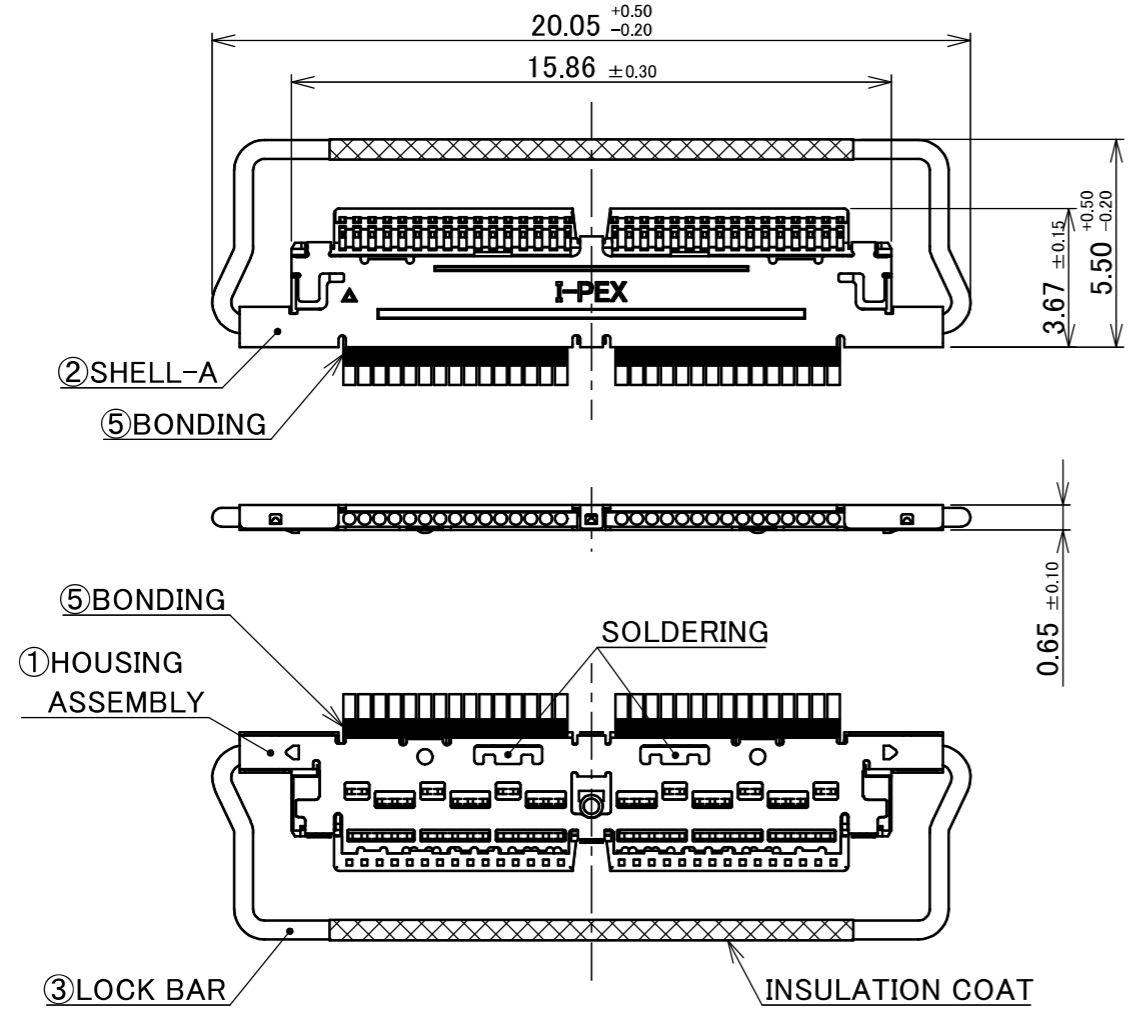


PART No.  
82998-100B-01-D



CONNECTOR 1&2  
(S=5/1)



PIN ASSIGNMENT		
CONNECTOR 1	CABLE	CONNECTOR 2
30	MICRO-COAXIAL AWG#40 50 OHM, BLUE	30
29	MICRO-COAXIAL AWG#40 50 OHM, BLUE	29
.	MICRO-COAXIAL AWG#40 50 OHM, BLUE	.
2	MICRO-COAXIAL AWG#40 50 OHM, BLUE	2
1	MICRO-COAXIAL AWG#40 50 OHM, BLUE	1

- NOTE.
- TO HANDLE THIS CONNECTOR YOU MUST READ AND FOLLOW THE INSTRUCTION MANUAL BELOW. I-PEX INSTRUCTION MANUAL No.HIM-17010.
  - ELECTRIC CHARACTERISTICS  
WITHSTAND VOLTAGE : AC 250V LEAKAGE CURRENT 2.0mA MAX.  
INSULATION RESISTANCE : 50MΩ MIN. DC 100V
  - THE OPERATING TEMPERATURE OF THE HARNESS : 80°C MAX.
  - RATING VOLTAGE : 30V

NO.	DESCRIPTION	PARTS NO.	QTY	REMARKS
6	ACETATE TAPE	-	1	BLACK
5	BONDING	-	-	UV GLUE
4	CABLE	-	30	MICRO-COAXIAL AWG #40, 50 OHM, BLUE
3	LOCK BAR	3300-0301	2	CONNECTOR 1&2 CABLIN <sup>®</sup> -CAL PLUG P/N : 20728-030T-01 CONNECTOR TO BE MATED : 20729-030E-02
2	SHELL-A	3298-0301	2	
1	HOUSING ASSEMBLY	20777-030T-01	2	

REVISION RECORD					GENERAL TOLERANCE.			PROJECTION		SERIES No.		CUSTOMER COPY		
0	ZM00911	K.Fu	2026/05/28	-	ANGLE	±2°	6 OVER 30 MAX.	±0.3		IH-200016	SCALE	2:1	UNIT	I-PEX
REV.	ECN	BY	DATE	APP.	6 MAX.	±0.2	30 OVER 120 MAX.	±0.5						
					DWG.	K.Fukutomi		DATE	2026/05/28		mm	SIZE	SHEET	REV.
					CHK.	R.Takei		TITLE		CABLIN <sup>®</sup> -CAL 30P HARNESS				
					APP.	T.Masunaga		DWG. No.		82998				

Confidential C

I-PEX Inc.

QKE-DFE06-02 REV.12