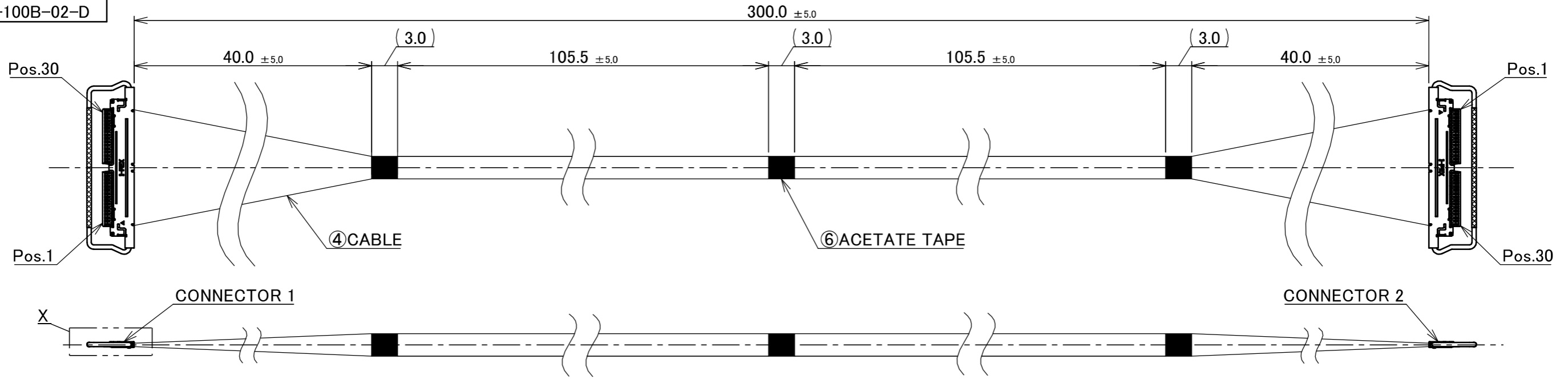
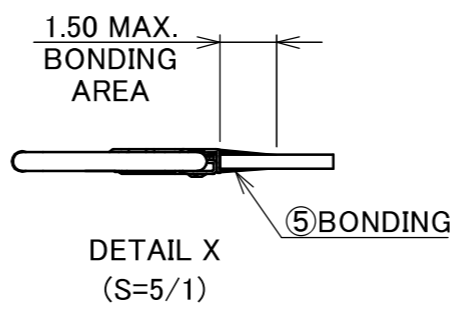
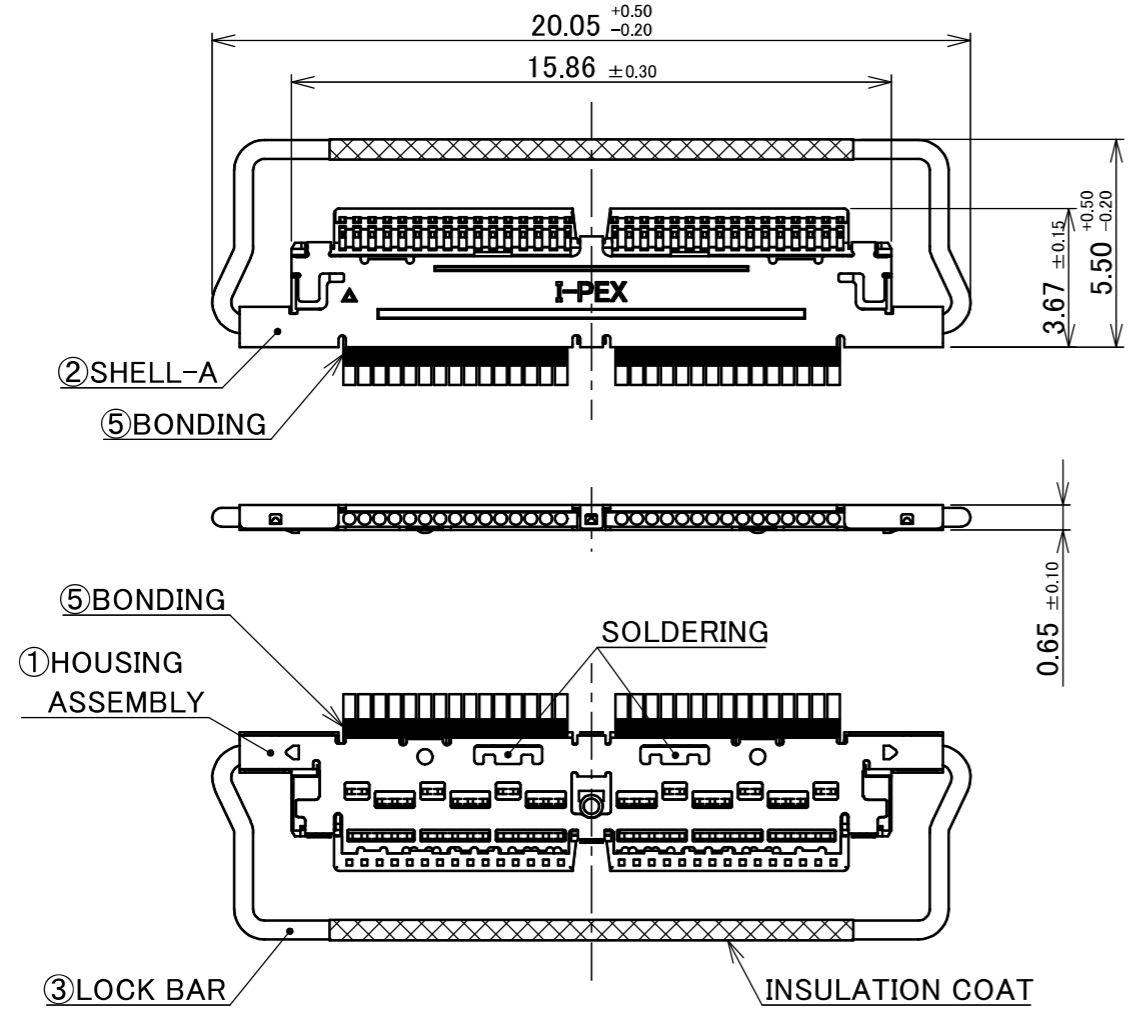


PART No.
82874-100B-02-D



CONNECTOR 1&2
(S=5/1)



PIN ASSIGNMENT		
CONNECTOR 1	CABLE	CONNECTOR 2
30	MICRO-COAXIAL AWG#40 50 OHM, BLUE	1
29	MICRO-COAXIAL AWG#40 50 OHM, BLUE	2
·	MICRO-COAXIAL AWG#40 50 OHM, BLUE	·
·	MICRO-COAXIAL AWG#40 50 OHM, BLUE	·
·	MICRO-COAXIAL AWG#40 50 OHM, BLUE	·
2	MICRO-COAXIAL AWG#40 50 OHM, BLUE	29
1	MICRO-COAXIAL AWG#40 50 OHM, BLUE	30

NOTE.

- TO HANDLE THIS CONNECTOR YOU MUST READ AND FOLLOW THE INSTRUCTION MANUAL BELOW. I-PEX INSTRUCTION MANUAL No.HIM-17010.
- ELECTRIC CHARACTERISTICS
WITHSTANDVOLTAGE : AC 250V LEAKAGE CURRENT 2.0mA MAX.
INSULATION RESISTANCE : 50MΩ MIN. DC 100V
- THE OPERATING TEMPERATURE OF THE HARNESS : 80°C MAX.
- RATING VOLTAGE : 30V

6	ACETATE TAPE	-	3	BLACK
5	BONDING	-	-	UV GLUE
4	CABLE	-	30	MICRO-COAXIAL AWG #40, 50 OHM, BLUE
3	LOCK BAR	3300-0301	2	CONNECTOR 1&2
2	SHELL-A	3298-0301	2	CABLIN [®] -CAL PLUG P/N : 20728-030T-01 CONNECTOR TO BE MATED : 20729-030E-02
1	HOUSING ASSEMBLY	20777-030T-01	2	
NO.	DESCRIPTION	PARTS NO.	QTY	REMARKS
		ANGLE ±2° 6 OVER 30 MAX. ±0.3		PROJECTION
		6 MAX. ±0.2 30 OVER 120 MAX. ±0.5		SERIES No. IH-200016
		GENERAL TOLERANCE.		CUSTOMER COPY
		DWG. K.Fukutomi DATE 2026/04/08		TITLE CABLIN [®] -CAL 30P HARNESS
		CHK. R.Takei		SCALE 2:1
0	ZM00759	K.Fu	2026/04/08	UNIT mm
REV.	ECN	BY	DATE	APP.
				APP. T.Masunaga
REVISION RECORD				DWG. No. 82874
				SIZE A3 SHEET 1/1 REV. 0

Confidential C

I-PEX Inc.

QKE-DFE06-02 REV.12