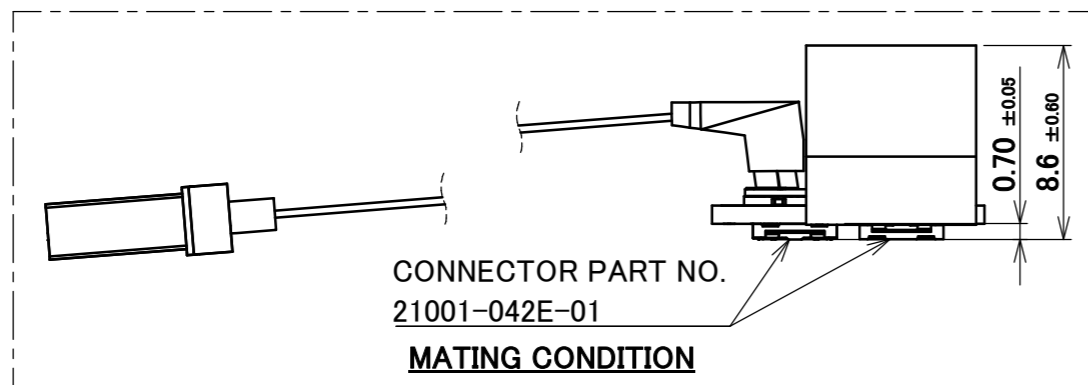
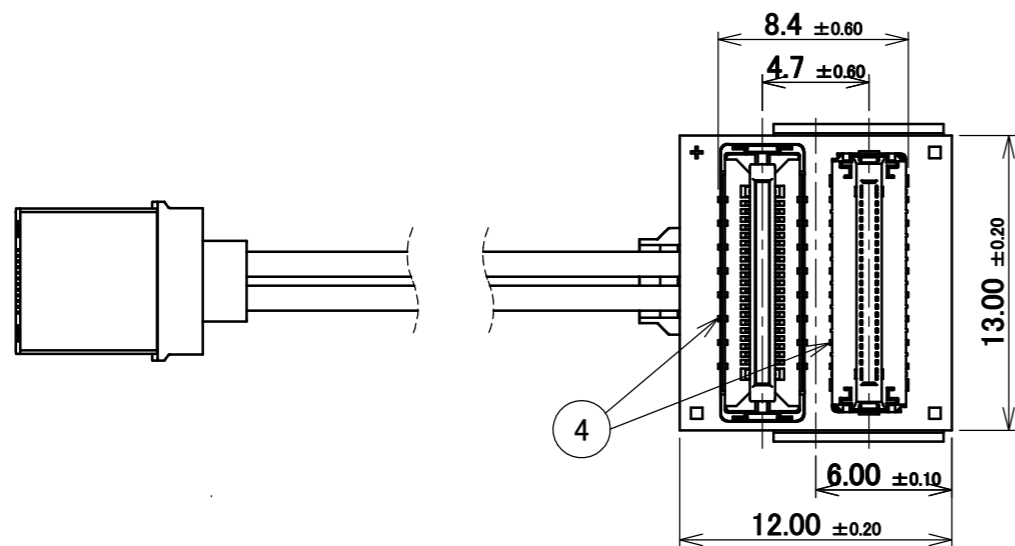
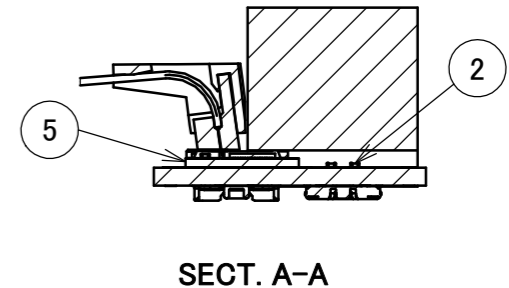
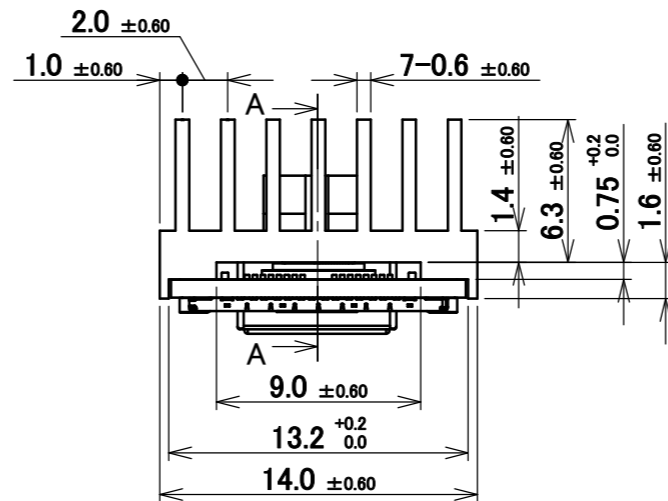
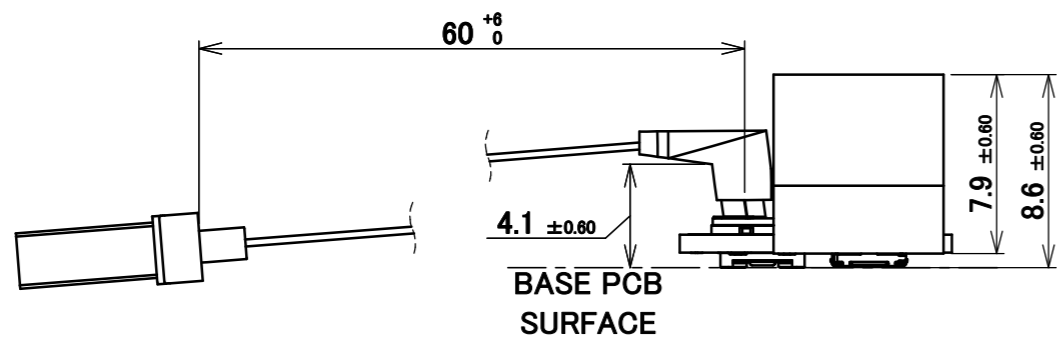
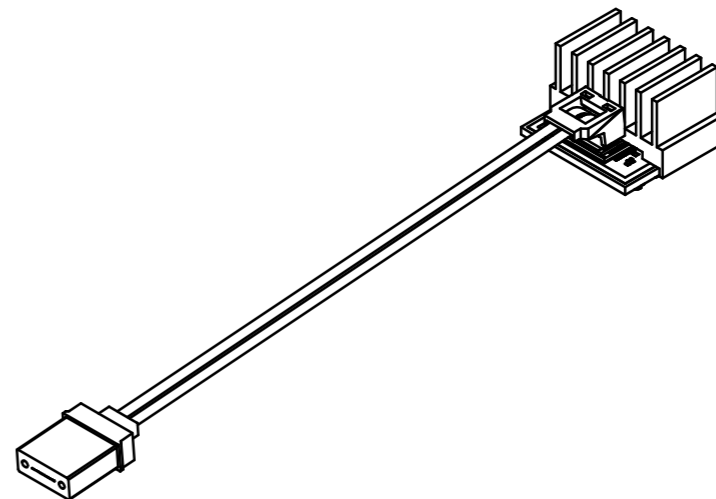
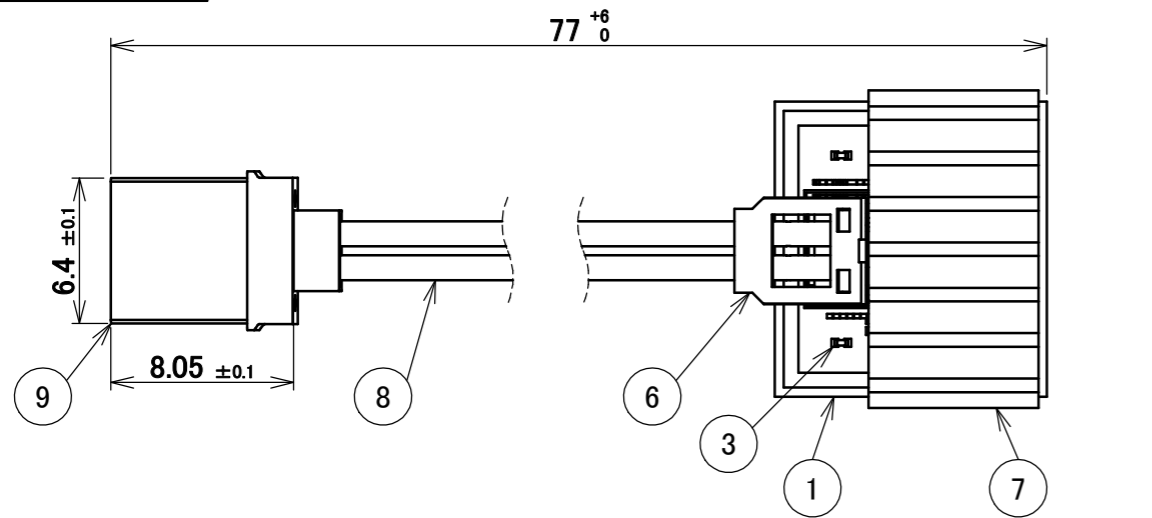
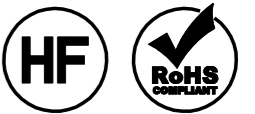
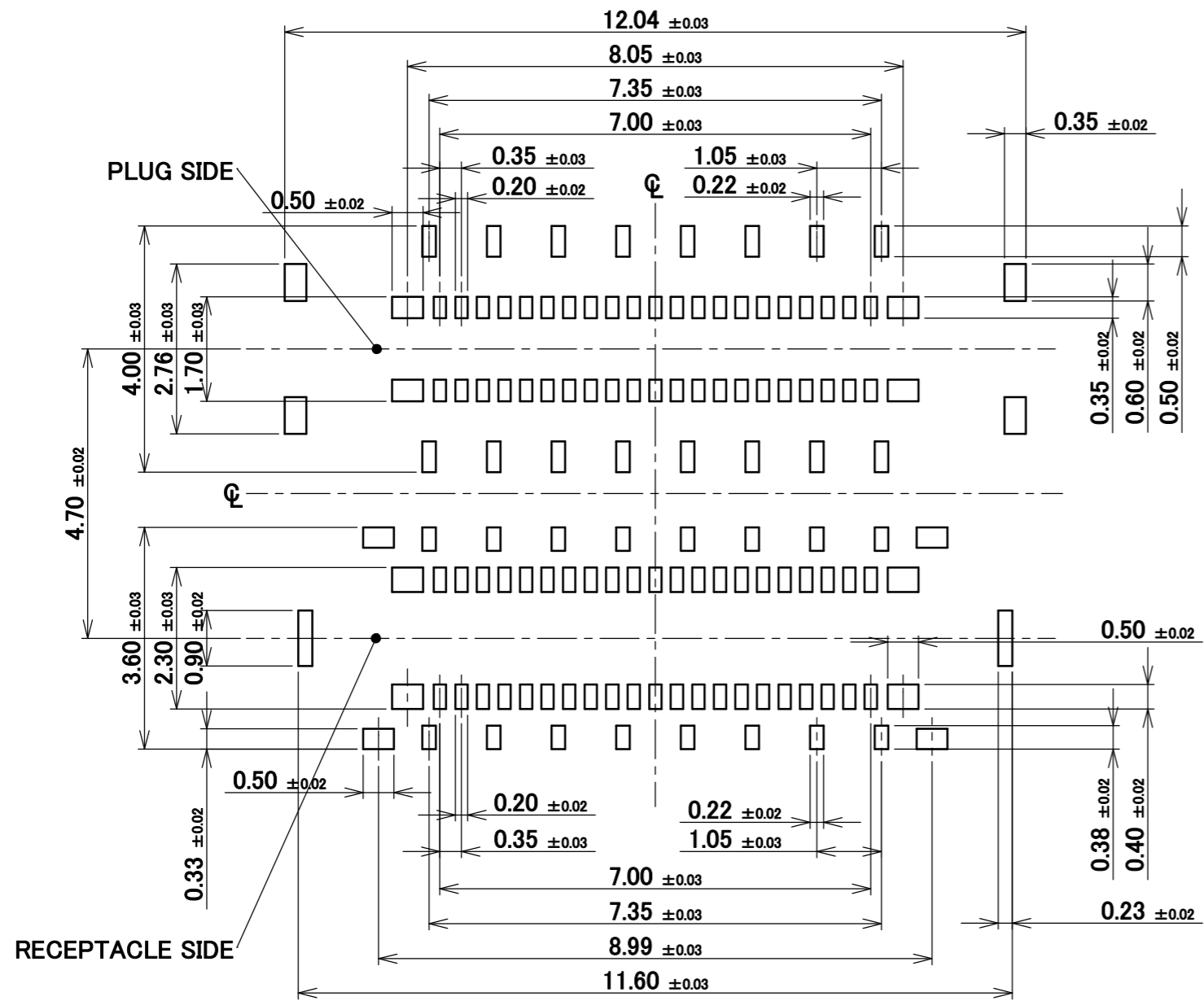


PART NO.  
88001-000T-25-01

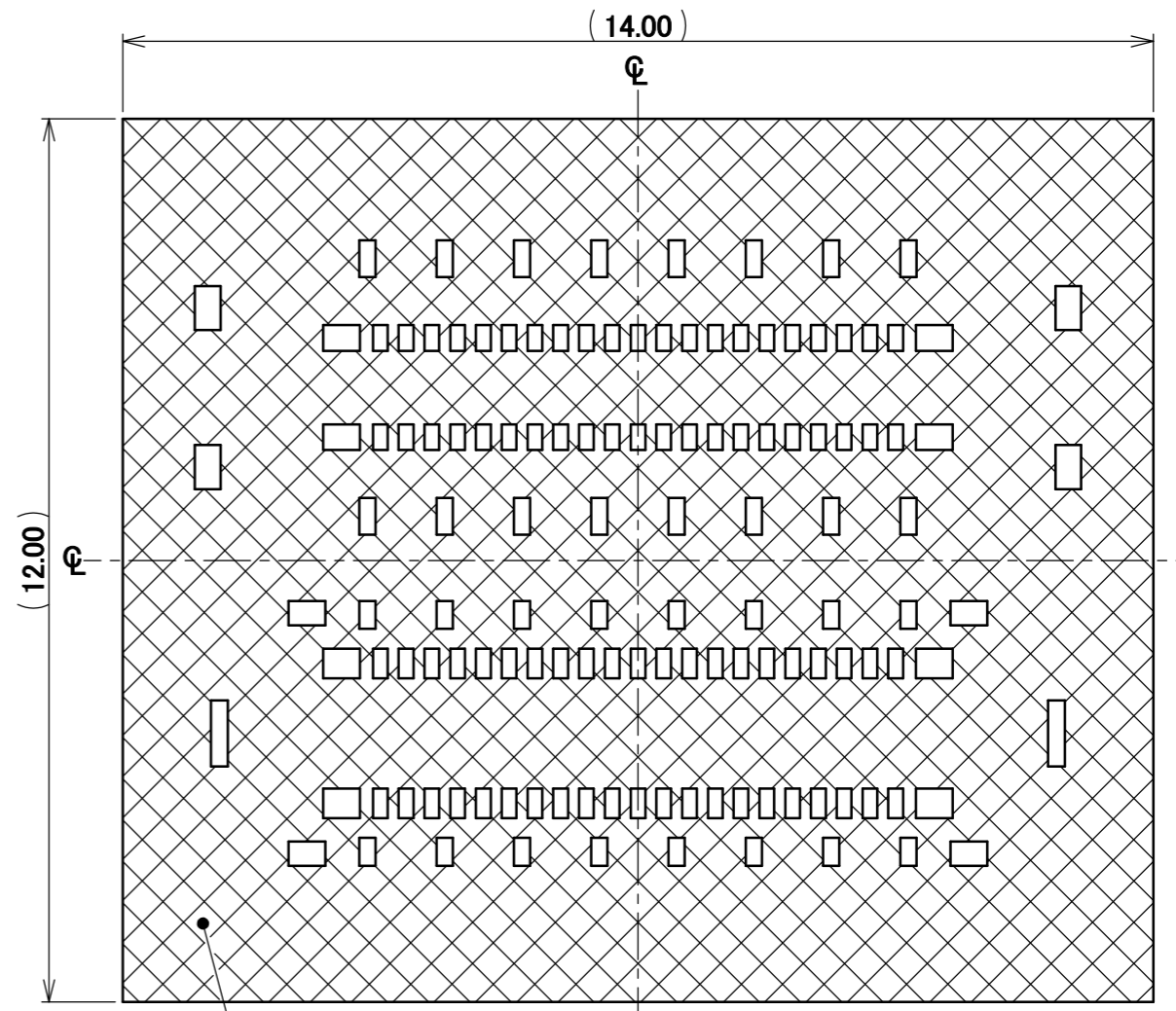


NO.	DESCRIPTION	MATERIAL	FINISH , REMARKS
9	12-MT FERRULE	-	-
8	4-CORE TAPE FIBER x2	-	-
7	HEATSINK	-	-
6	OPTICAL CONNECTER	-	SERIAL NUMBERING
5	OPTICAL I/O CORE	-	TIP NUMBERING
4	NOVASTACK® 35-HDP WITH VACUUM CAP ASS'Y P/N 21001-042E-01	-	-
3	CAPACITOR	-	FOR POWER SUPPLY NOISE FILTER 105°C HEAT RESISTANT 0603 4V 2.2 μ F
2	CAPACITOR	-	MULTILAYER CERAMIC CAPACITOR 0402 0.1 μ F
1	GLASS CERAMIC SUBSTRATE	-	-

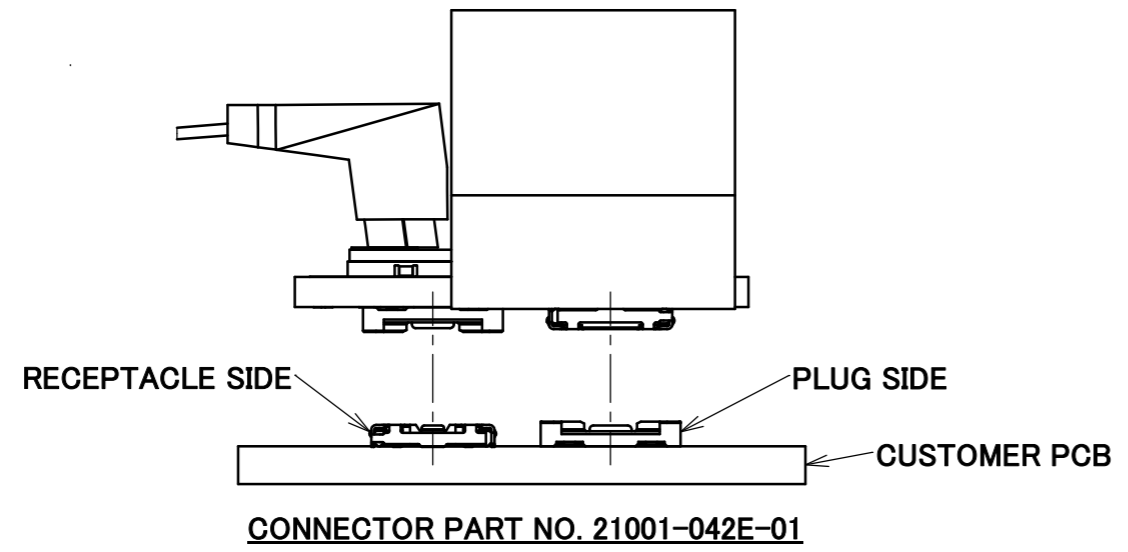
					ANGLE	±2°	6 OVER 30 MAX.	±0.3	PROJECTION ⊕	SERIES No. R0	CUSTOMER COPY		
						6 MAX.	±0.2	30 OVER 120 MAX.				±0.5	
					GENERAL TOLERANCE.				TITLE LIGHTPASS HARNESS LIGHTPASS™-EOM 100G	SCALE	I-PEX		
					DWG.	DATE				3:1			
					CHK.	DATE			UNIT				
0	Z210797	S.A	July/19/21	Y.H	K.Nisiyama	2021/07/19			mm				
REV.	ECN	BY	DATE	APP.	APP.	DATE			SIZE	SHEET	REV.		
REVISION RECORD					Y.Hashimoto	2021/07/19			DWG. No.	88001	A3	1/2	0



**RECOMMENDED FOOTPRINT PATTERN LAYOUT  
FOR CUSTOMER PCB**



**THIS AREA CANNOT MOUNT ANOTHER COMPONENTS.**



**CONNECTOR PART NO. 21001-042E-01**

ANGLE	±2°	6 OVER 30 MAX.	±0.3	PROJECTION	SERIES No.	CUSTOMER COPY		
	6 MAX.	±0.2	30 OVER 120 MAX.	±0.5	R0	I-PEX		
GENERAL TOLERANCE.				TITLE	SCALE	I-PEX		
DWG.	DATE			LIGHTPASS HARNESS	10:1	I-PEX		
CHK.				LIGHTPASS™-EOM 100G	UNIT	I-PEX		
APP.				DWG. No.	mm	I-PEX		
				88001	SIZE	SHEET	REV.	
					A3	2/2	0	