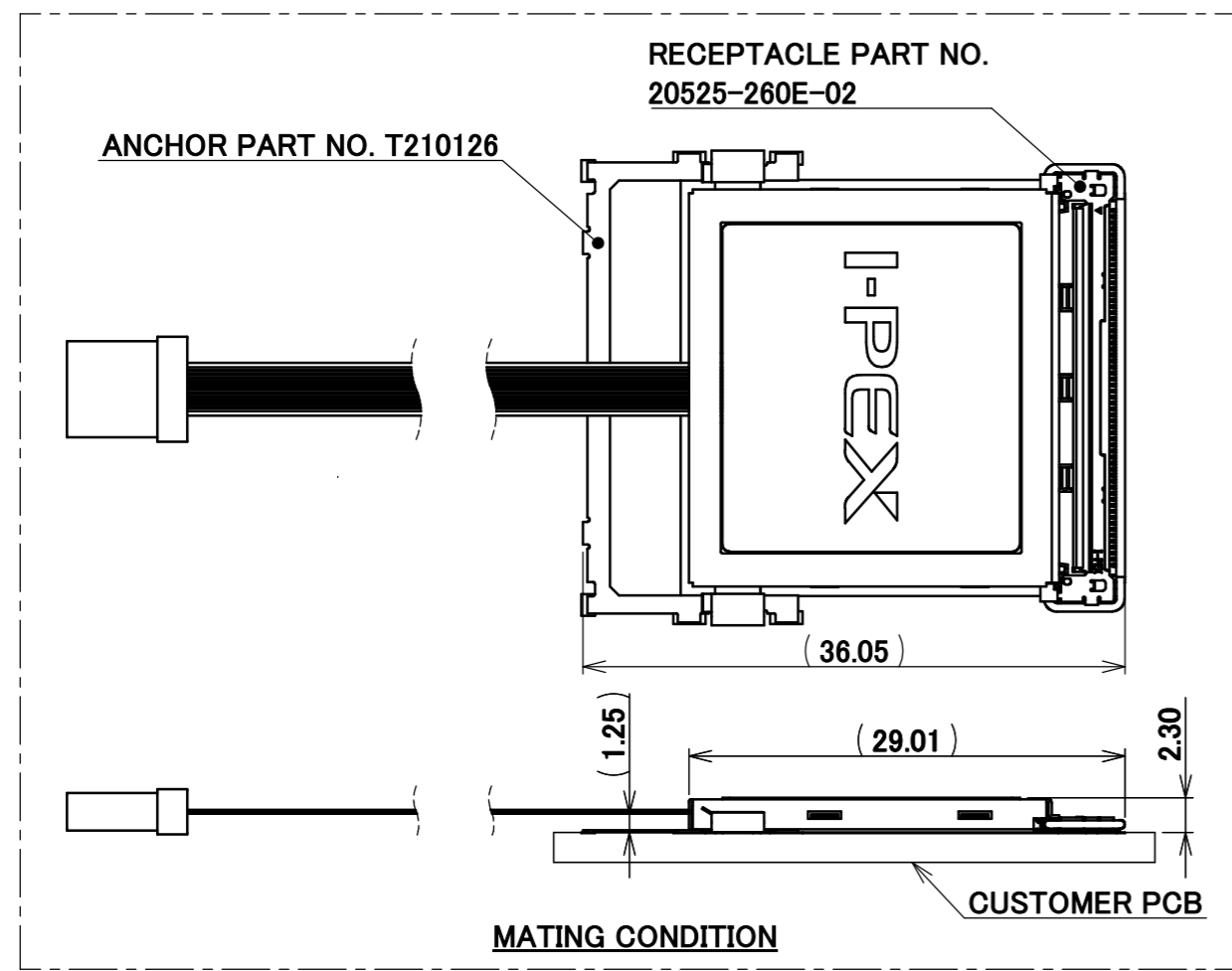
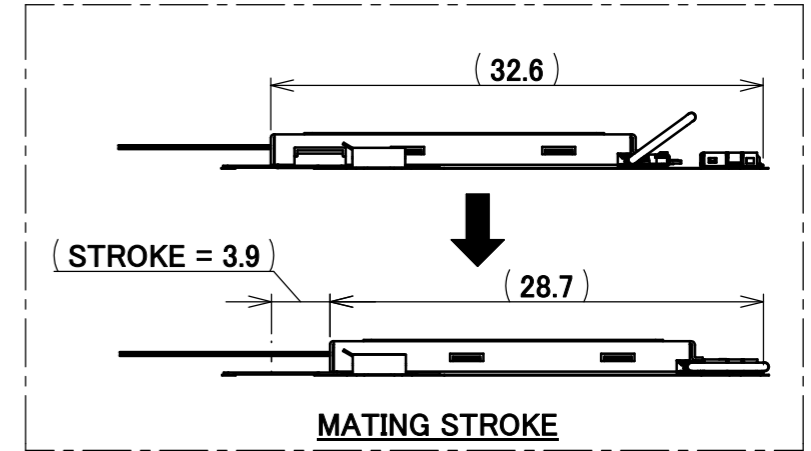
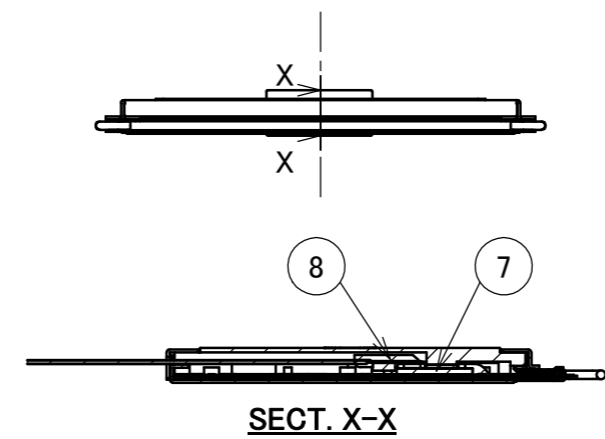
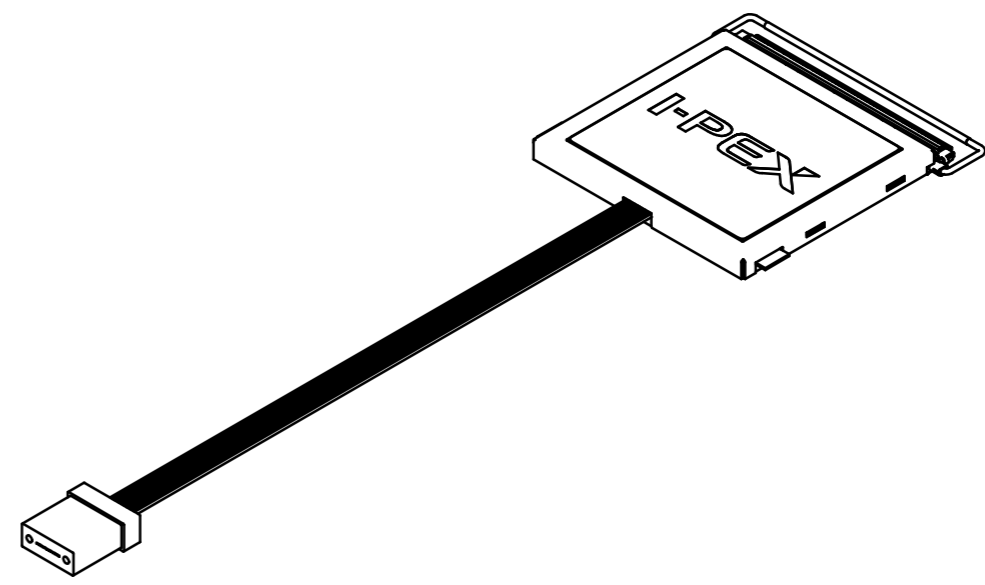
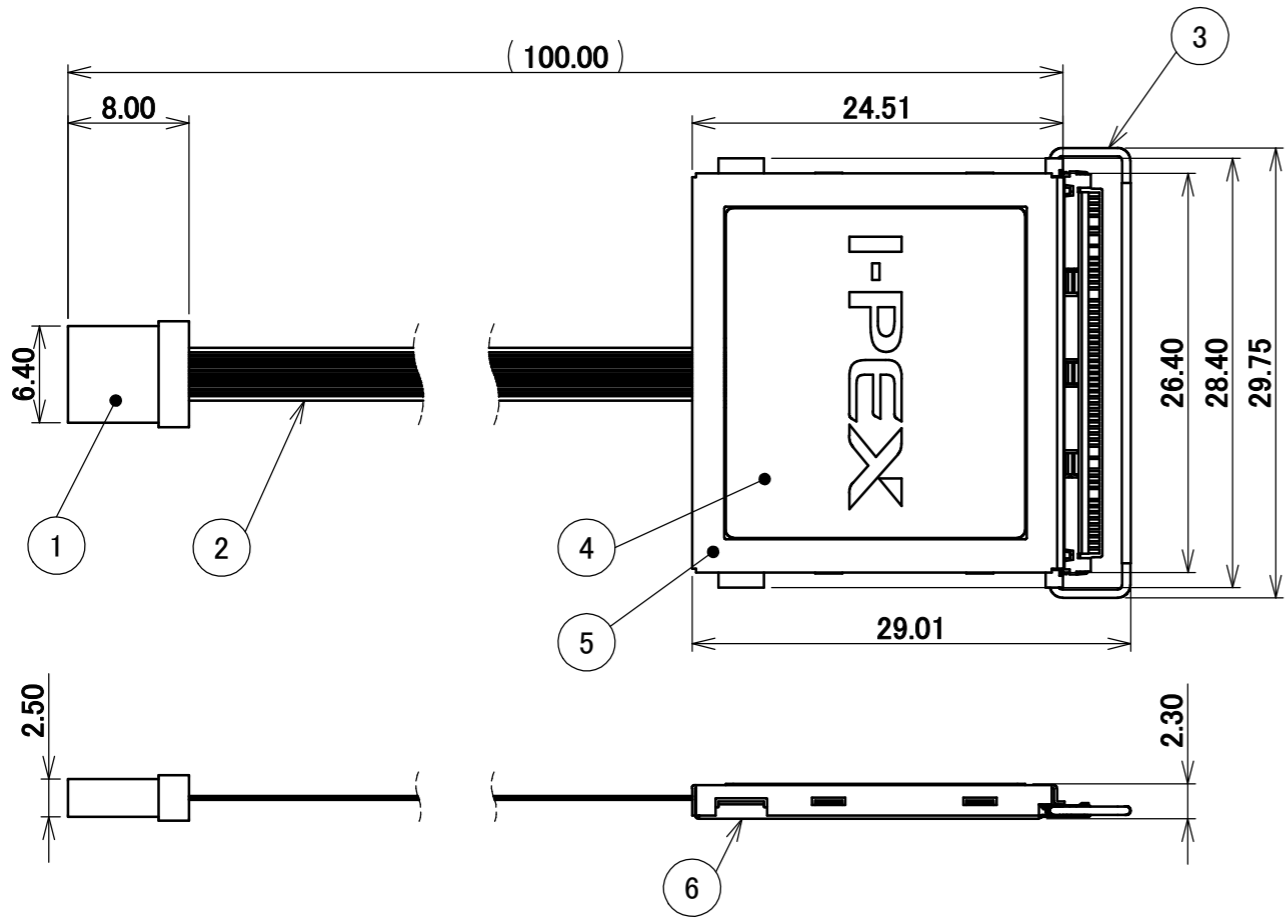
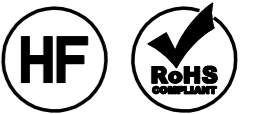
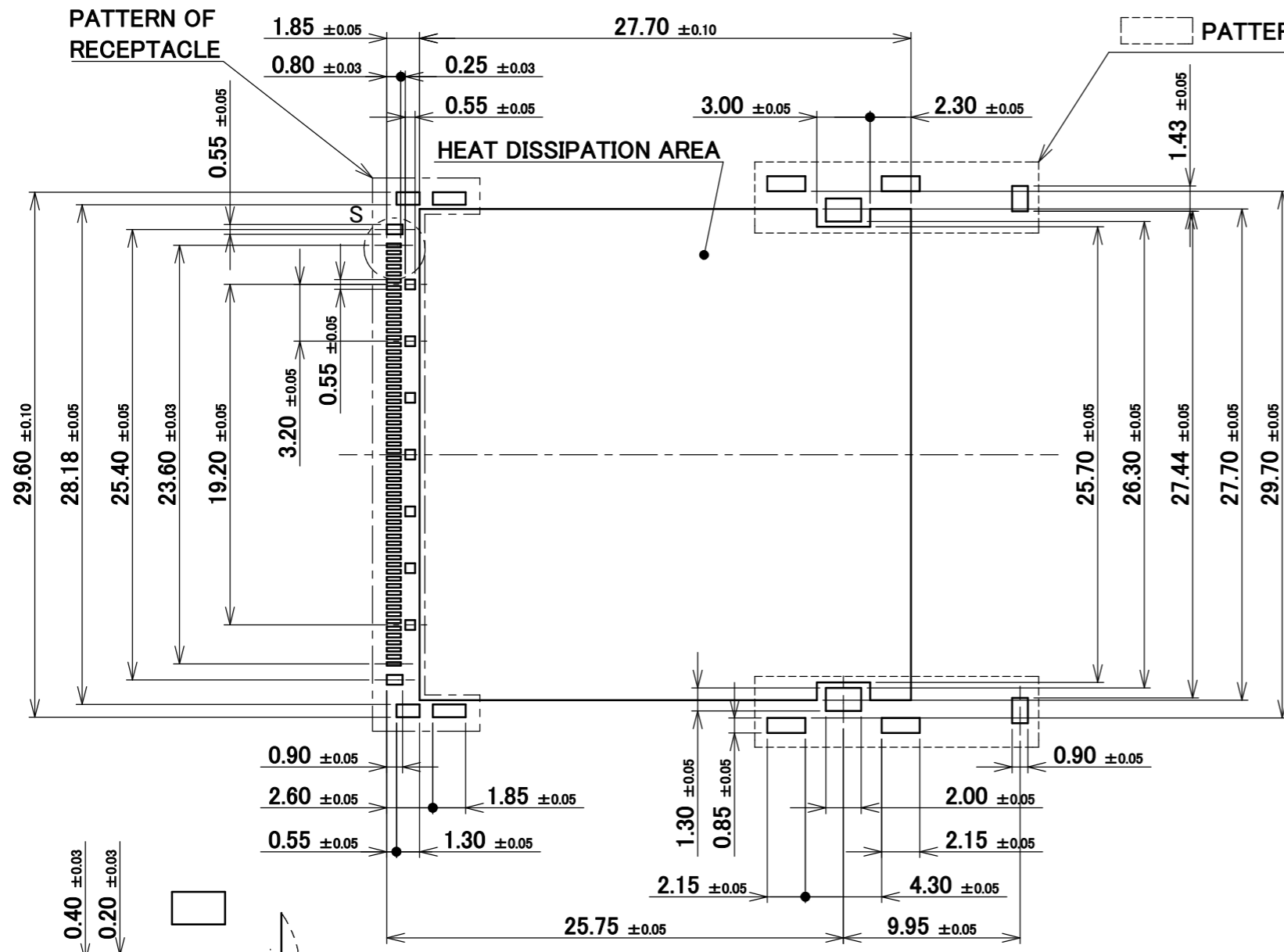


PART NO.
88002-000T-25-01



NO.	DESCRIPTION	MATERIAL	FINISH, REMARKS
8	OPTICAL CONNECTER	-	-
7	OPTICAL I/O CORE P/N PAA-XW8001-ESB	-	TIP NUMBERING
6	SHELL-B	COPPER ALLOY	NICKEL PLATING
5	SHELL-A	COPPER ALLOY	NICKEL PLATING
4	HEAT SPREADER	ALUMINUM	ANODIZING
3	CABLIN®-CAF SHELL ASS'Y P/N 20858-060T-01	-	-
2	12-CORE TAPE FIBER	-	-
1	12-MT FERRULE	-	-

					ANGLE	±2°	6 OVER 30 MAX.	±0.3	PROJECTION ⊕	SERIES No. R0	CUSTOMER COPY	
					6 MAX.	±0.2	30 OVER 120 MAX.	±0.5			SCALE 2:1	TITLE LIGHTPASS HARNESS LIGHTPASS™-EOB 100G
					GENERAL TOLERANCE.				DWG. No. 88002	SIZE A3	SHEET 1/2	
0	Z211202	S.A	Oct./1/21	Y.H	DWG.	DATE		2021/10/01				
REV.	ECN	BY	DATE	APP.	CHK.	DATE		2021/10/01				
REVISION RECORD					APP.	DATE		2021/10/01				

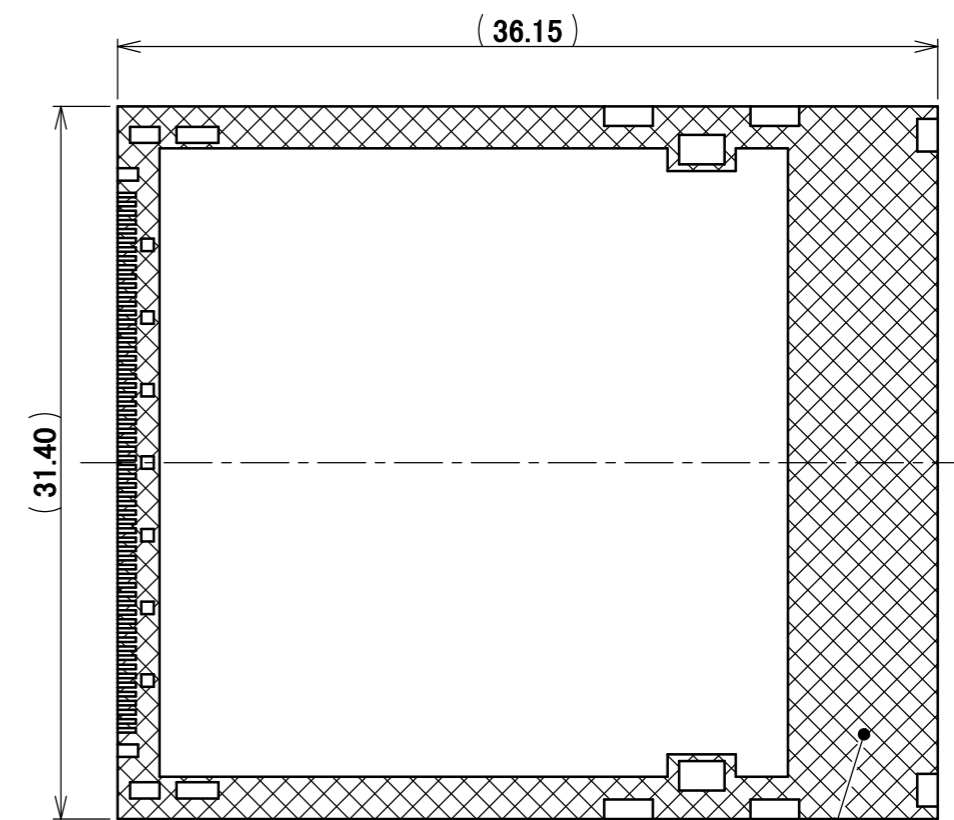


RECOMMENDED FOOTPRINT PATTERN LAYOUT

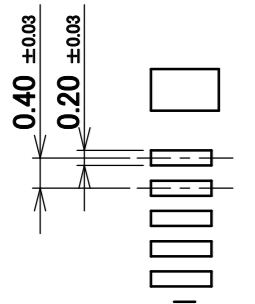
PATTERN OF ANCHOR PART

PATTERN OF RECEPTACLE

HEAT DISSIPATION AREA



THIS AREA CANNOT MOUNT ANOTHER COMPONENTS.



DETAIL S
(S=10 : 1)

ANGLE	±2°	6 OVER 30 MAX.	±0.3	PROJECTION	SERIES No.	CUSTOMER COPY		
	6 MAX.	±0.2	30 OVER 120 MAX.	±0.5	R0			
GENERAL TOLERANCE.				TITLE	SCALE	I-PEX		
DWG.	DATE			LIGHTPASS HARNESS LIGHTPASS™-EOB 100G	3:1			
CHK.					UNIT			
APP.					mm			
				DWG. No.	SIZE	SHEET	REV.	
				88002	A3	2/2	0	