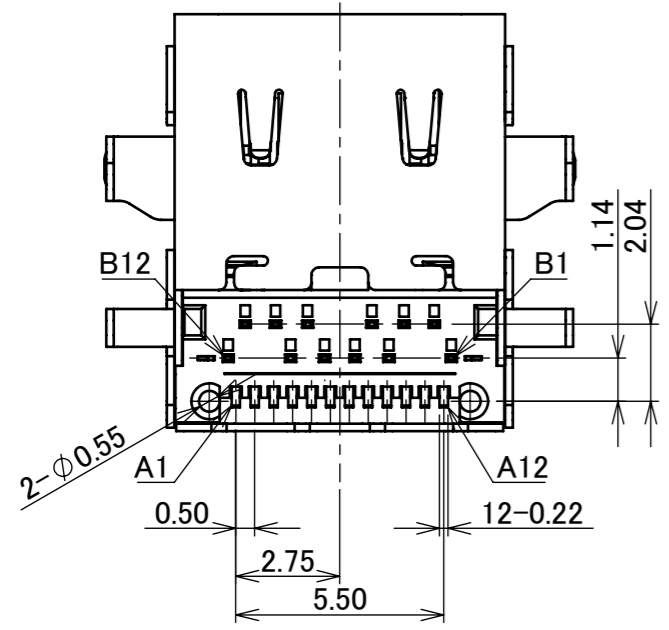
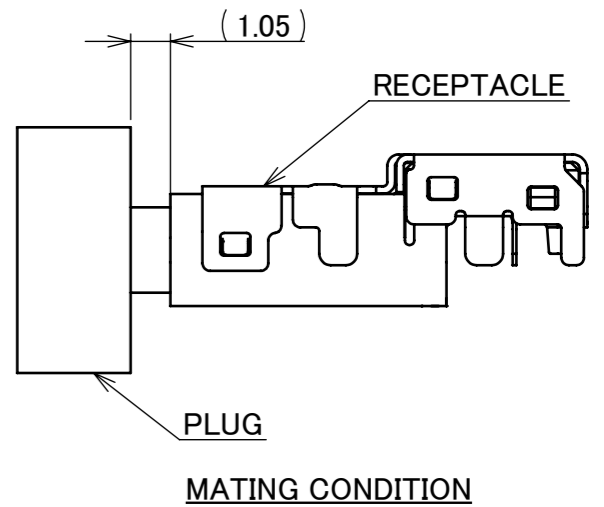
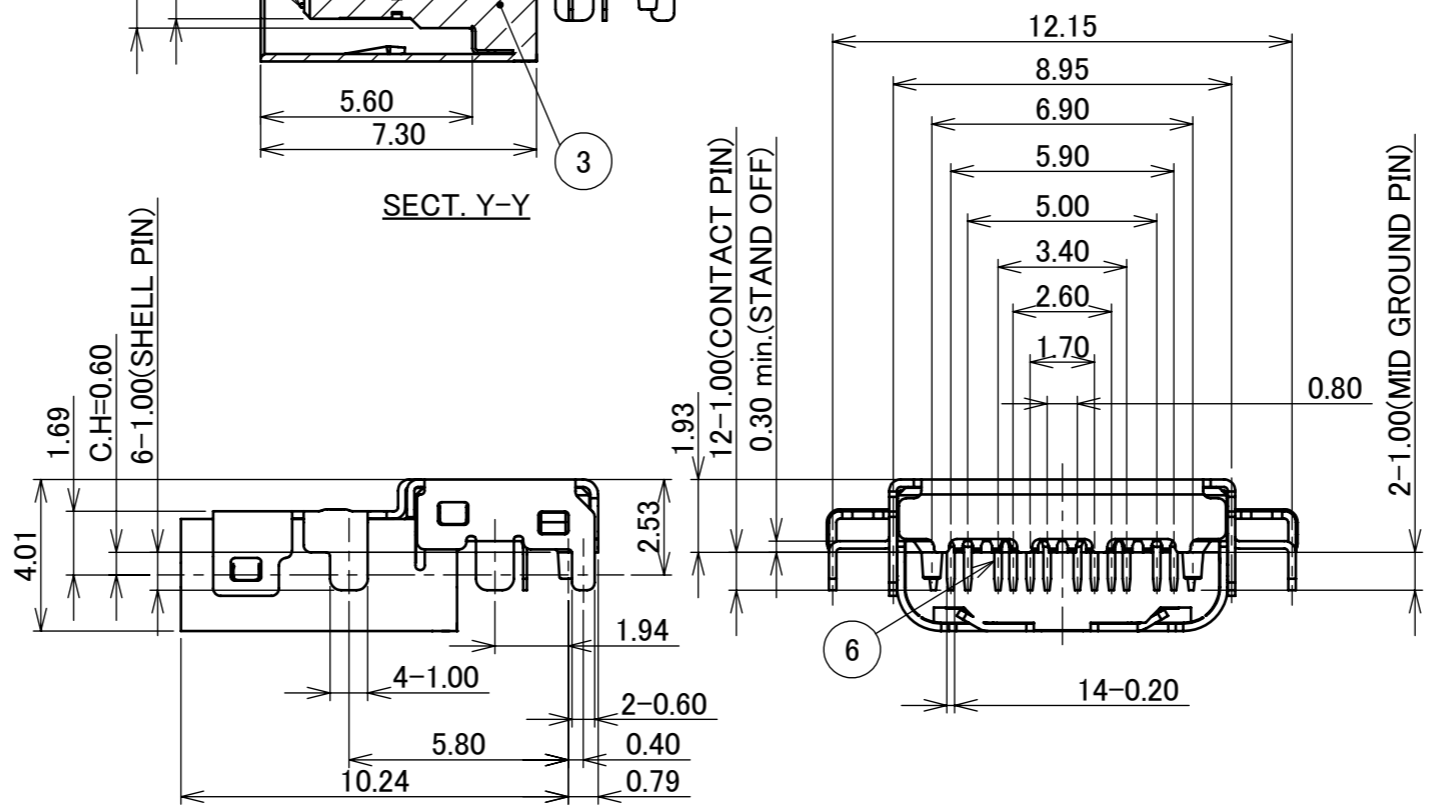
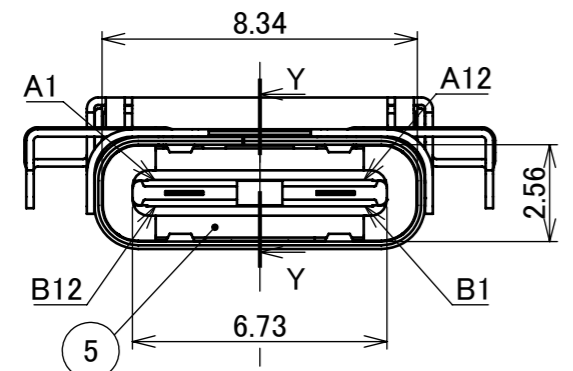
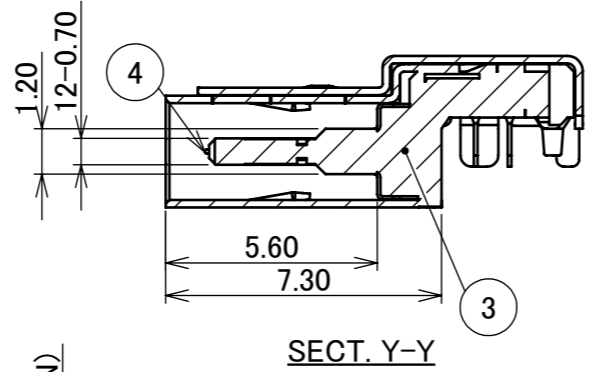
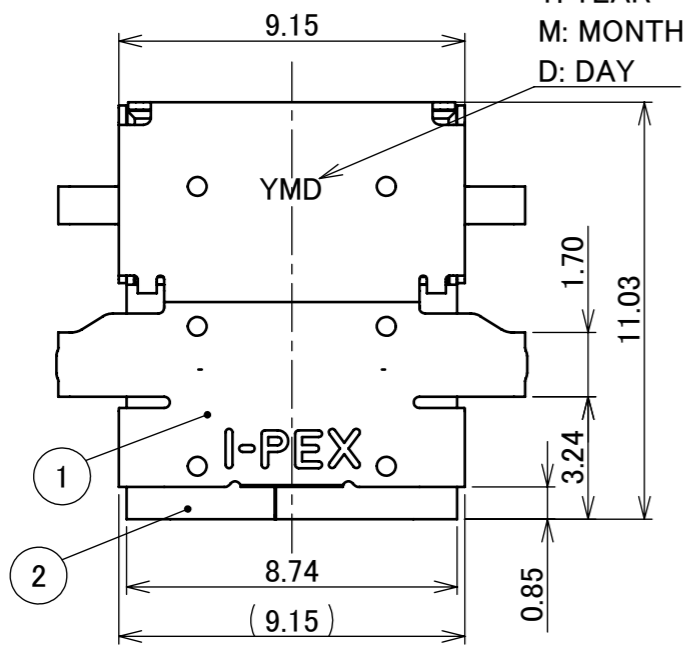
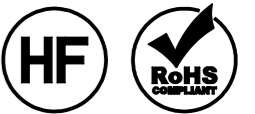


PART NO.  
30115-024E-01

YMD  
Y: YEAR  
M: MONTH  
D: DAY



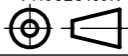
6	CONTACT	COPPER ALLOY	CONTACT AREA Au 0.05 μm MIN. Pd/Ni 0.75 μm MIN. SOLDER AREA Sn 1.50~4.00 μm OVER Ni 2.00~4.00 μm
5	MATE GROUND	STAINLESS STEEL	Ni 1.27 μm MIN
4	MID GROUND	STAINLESS STEEL	Ni 1.27 μm MIN
3	HOUSING	LCP	BLACK, UL94 V-0
2	INNER SHELL	STAINLESS STEEL	Ni 1.50 μm MIN
1	OUTSIDE SHELL	STAINLESS STEEL	SOLDER AREA Sn 1.27 μm MIN. OVER Ni 1.50 μm MIN.
NO.	DESCRIPTION	MATERIAL	FINISH, REMARKS

PIN ASSIGNMENT (Front)

A1	A2	A3	A4	A5	A6	A7	A8	A9	A10	A11	A12
GND	TX1+	TX1-	V <sub>BUS</sub>	CC1	D+	D-	SBU1	V <sub>BUS</sub>	RX2-	RX2+	GND
GND	RX1+	RX1-	V <sub>BUS</sub>	SBU2	D-	D+	CC2	V <sub>BUS</sub>	TX2-	TX2+	GND
B12	B11	B10	B9	B8	B7	B6	B5	B4	B3	B2	B1

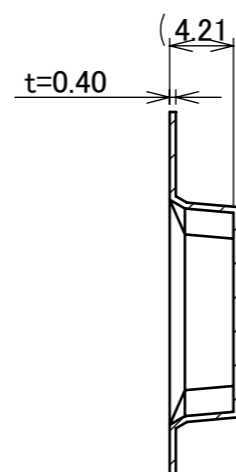
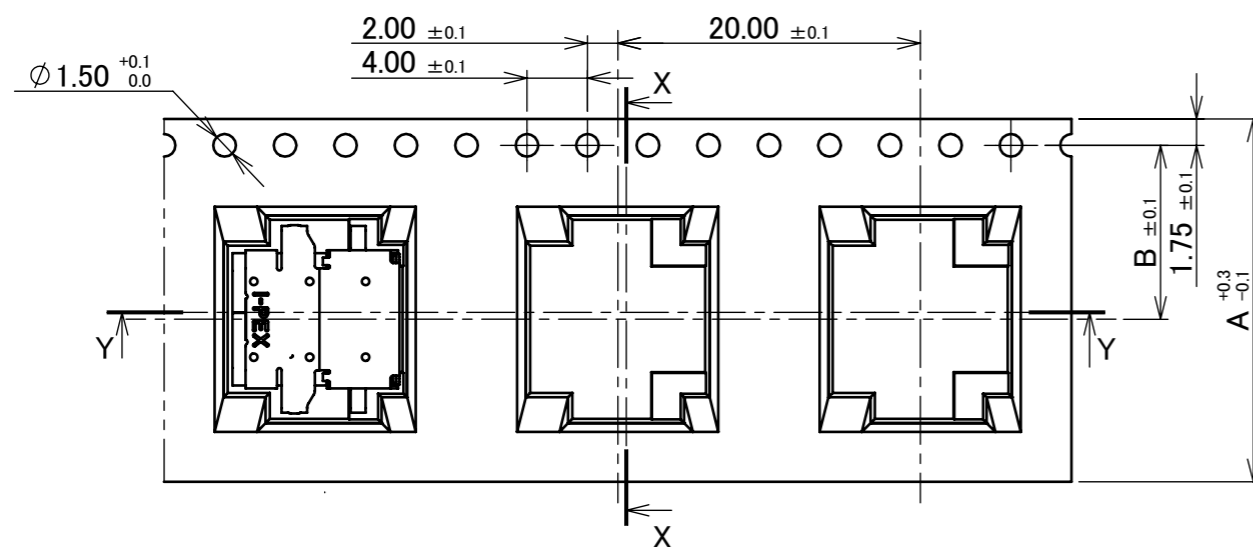
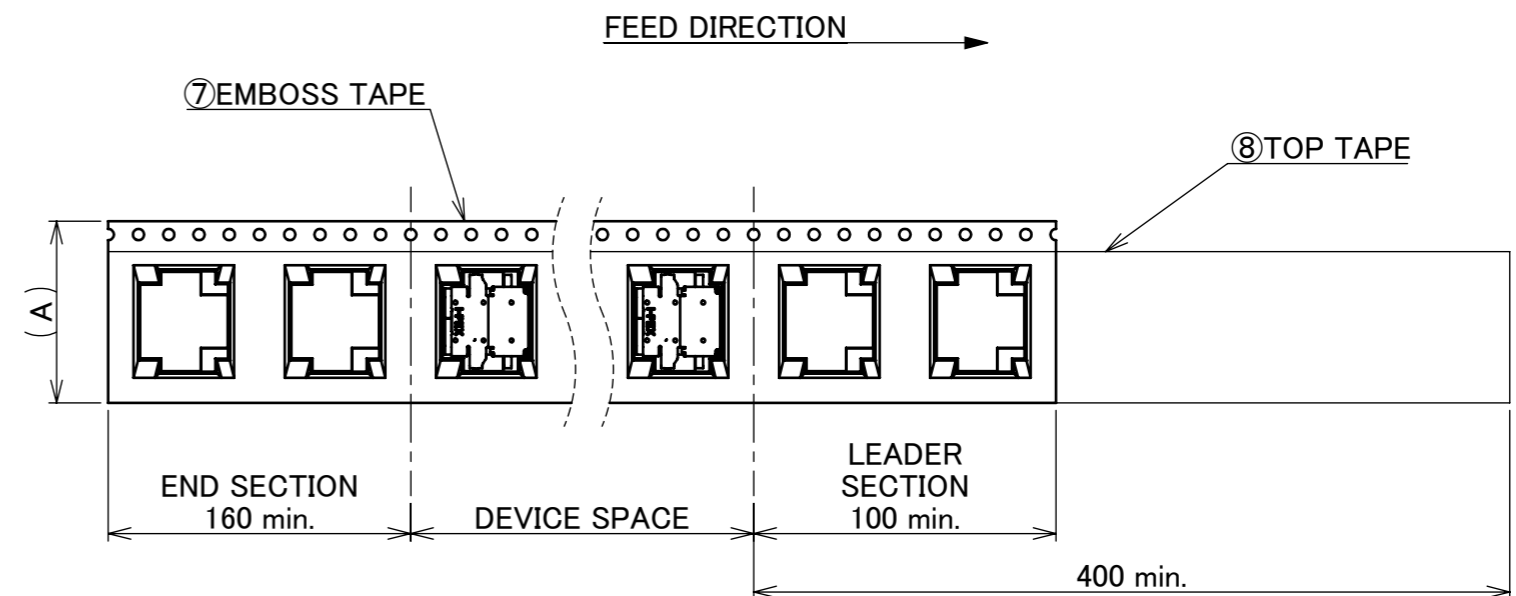
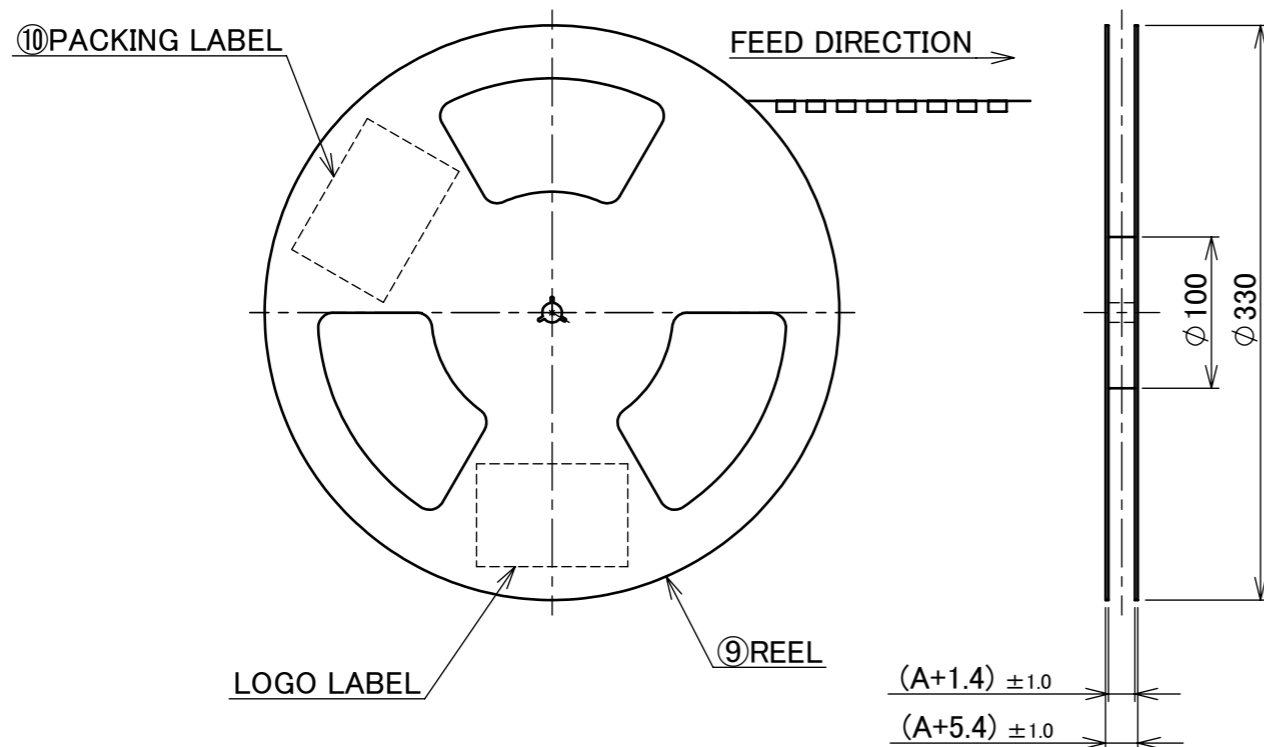
				ANGLE	±2°	6 OVER 30 MAX.	±0.3	PROJECTION	SERIES No.	CUSTOMER COPY	
					6 MAX.	±0.2	30 OVER 120 MAX.	⊕	R0		
				GENERAL TOLERANCE.				TITLE		SCALE	
1	Z181532	S.S	2018/12/28	TAK	DWG.	R.Hoshino	DATE	2018/08/24	IX-UC2003 RECEPTACLE MID MOUNT TYPE		
0	Z181093	R.H	2018/08/24		CHK.	S.Suzuki	DATE	2018/08/24	5:1		
REV.	ECN	BY	DATE	APP.	APP.	T.Hirakawa	DATE	2018/09/04	UNIT		
REVISION RECORD								DWG. No.	30115	mm	
										SIZE	
										A3	
										SHEET 1/4	
										REV. 1	

ITEMS	SPECIFICATION
RATING VOLTAGE	20V MAX.
RATING AMPERAGE (FOR VBUS PIN)	5A AC/DC
OPERATING TEMPERATURE	233~353K(-40°C~+80°C)
CONTACT RESISTANCE	INITIAL : 40mohm MAX. / AFTER TEST : 50mohm MAX.
INSULATION RESISTANCE	100Mohm MIN.
DIELECTRIC WITHSTANDING VOLTAGE	AC100V 1min
DURABILITY	10,000 CYCLES
MATING FORCE (INITIAL / AFTER TEST)	20N MAX. 5N MIN.
UNMATING FORCE (INITIAL / AFTER TEST)	20N MAX. 8N MIN. / 20N MAX. 6N MIN.
COPLANARITY	0.10 MAX.
PRODUCT SPECIFICATION	PRS-2507
TEST REPORT	TR-18060
PACKING STANDARD	PST-18106

ANGLE	±2°	6 OVER 30 MAX.	±0.3	PROJECTION 	SERIES No. R0	CUSTOMER COPY
6 MAX.	±0.2	30 OVER 120 MAX.	±0.5			
GENERAL TOLERANCE.				TITLE IX-UC2003 RECEPTACLE MID MOUNT TYPE	SCALE	I-PEX
DWG.	DATE					
CHK.	DATE					
APP.	DATE					
				DWG. No.	30115	SIZE A3
				SHEET	2/4	REV. 1



PART NO.	A	B	QTY. PER EMBOSS REEL (PIECES / REEL)	QTY. PER PACKING CARTON (REELS / CARTON)
30115-024E-01	24	11.5	700 / REEL	700 × 6 REELS / CARTON = 4,200



SECT. X-X  
(S=2:1)



SECT. Y-Y  
(S=2:1)

NOTES.

- TAPING SPECIFICATION FOLLOWS JIS C 0806 (IEC 60286-3).
- MAKE EMPTY SECTION OF LEADER AND END ON EACH END OF THE TAPE.
- TOP TAPE SHALL NOT STICK OUT FROM EMBOSS TAPE.
- TOP TAPE SHALL NOT COVER FEED HOLE.

NO.	DESCRIPTION	MATERIAL	FINISH, REMARKS
10	PACKING LABEL	-	-
9	REEL	PS	BLUE
8	TOP TAPE	PS TRANSPARENCY	-
7	EMBOSS TAPE	PS	-

ANGLE	$\pm 2^\circ$	6 OVER 30 MAX.	$\pm 0.3$	PROJECTION 	SERIES No. R0	CUSTOMER COPY	
6 MAX.	$\pm 0.2$	30 OVER 120 MAX.	$\pm 0.5$				
GENERAL TOLERANCE.				TITLE IX-UC2003 RECEPTACLE MID MOUNT TYPE	SCALE 1:X	UNIT mm	
DWG.	DATE						
CHK.	DATE						
APP.	DATE						
				DWG. No.	30115	SIZE A3	
						SHEET 4/4	REV. 1