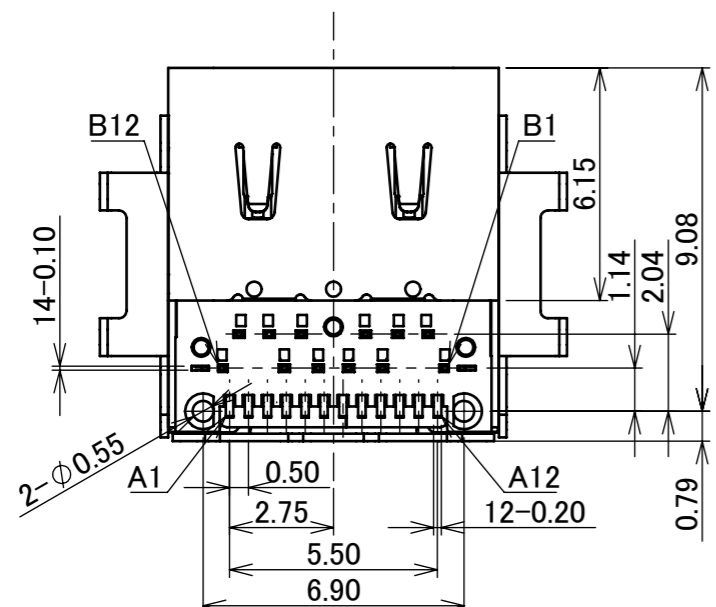
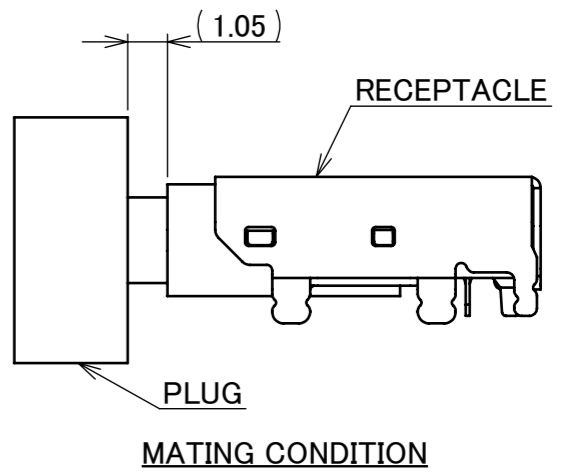
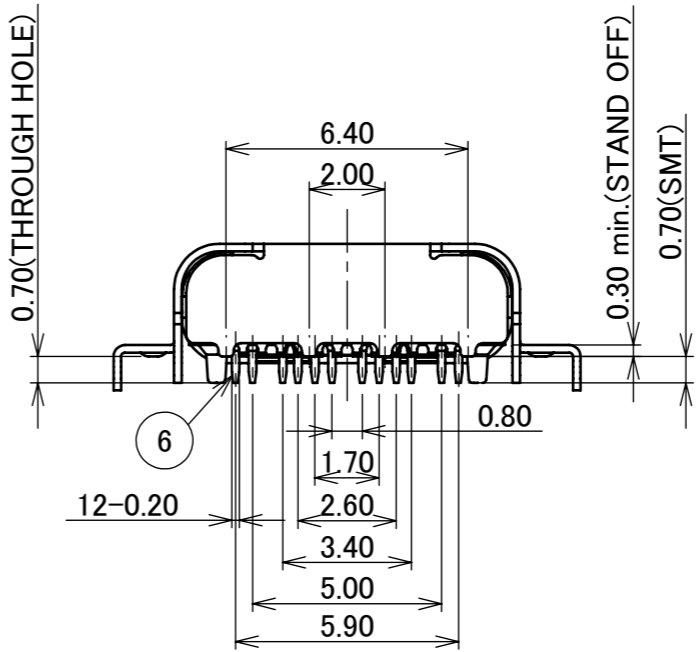
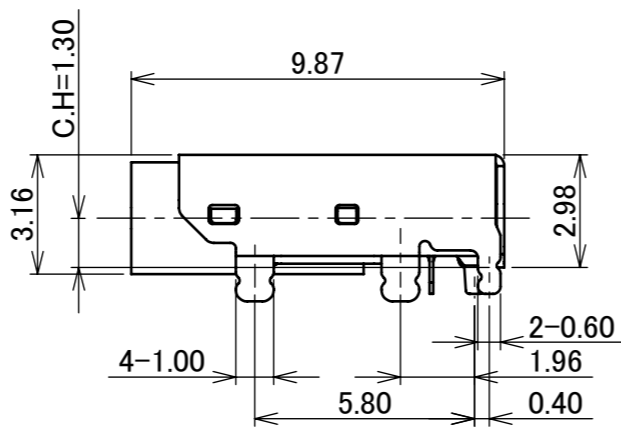
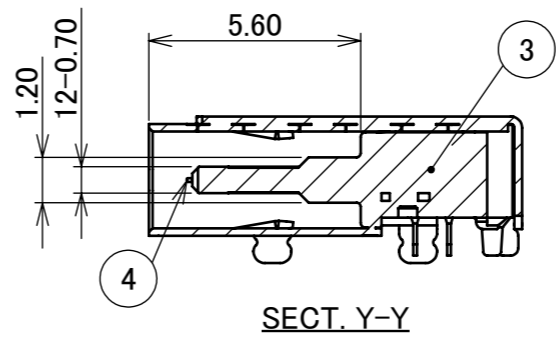
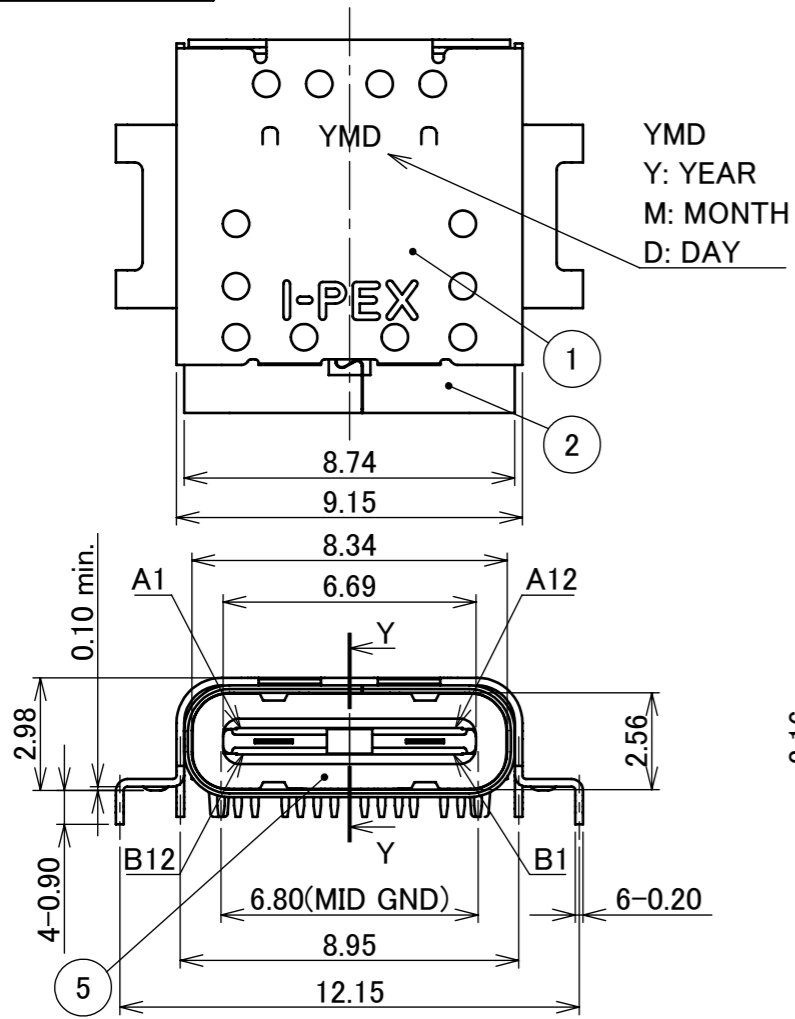
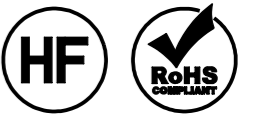


PART No.
30113-024E-01



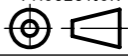
NO.	DESCRIPTION	MATERIAL	FINISH, REMARKS
6	CONTACT	COPPER ALLOY	CONTACT AREA Au 0.75 μm MIN. SOLDER AREA Sn 1.50 μm MIN. OVER Ni 2.0 μm MIN.
5	MATE GROUND	STAINLESS STEEL	Ni 1.27 μm MIN.
4	MID GROUND	STAINLESS STEEL	Ni 1.27 μm MIN.
3	HOUSING	LCP	BLACK, UL94 V-0
2	INNER SHELL	STAINLESS STEEL	Ni 1.50 μm MIN.
1	OUTSIDE SHELL	STAINLESS STEEL	SOLDER AREA Sn 1.27 μm MIN. OVER Ni 1.50 μm MIN.

PIN ASSIGNMENT (Front)

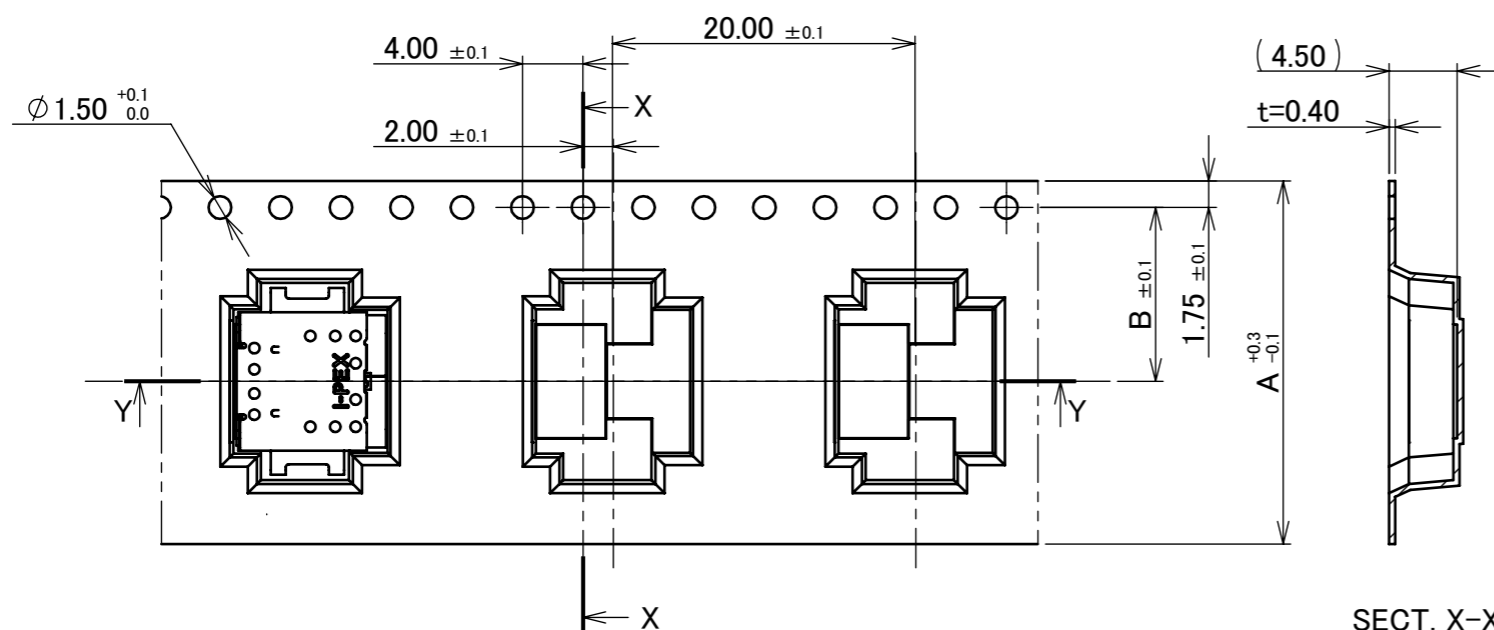
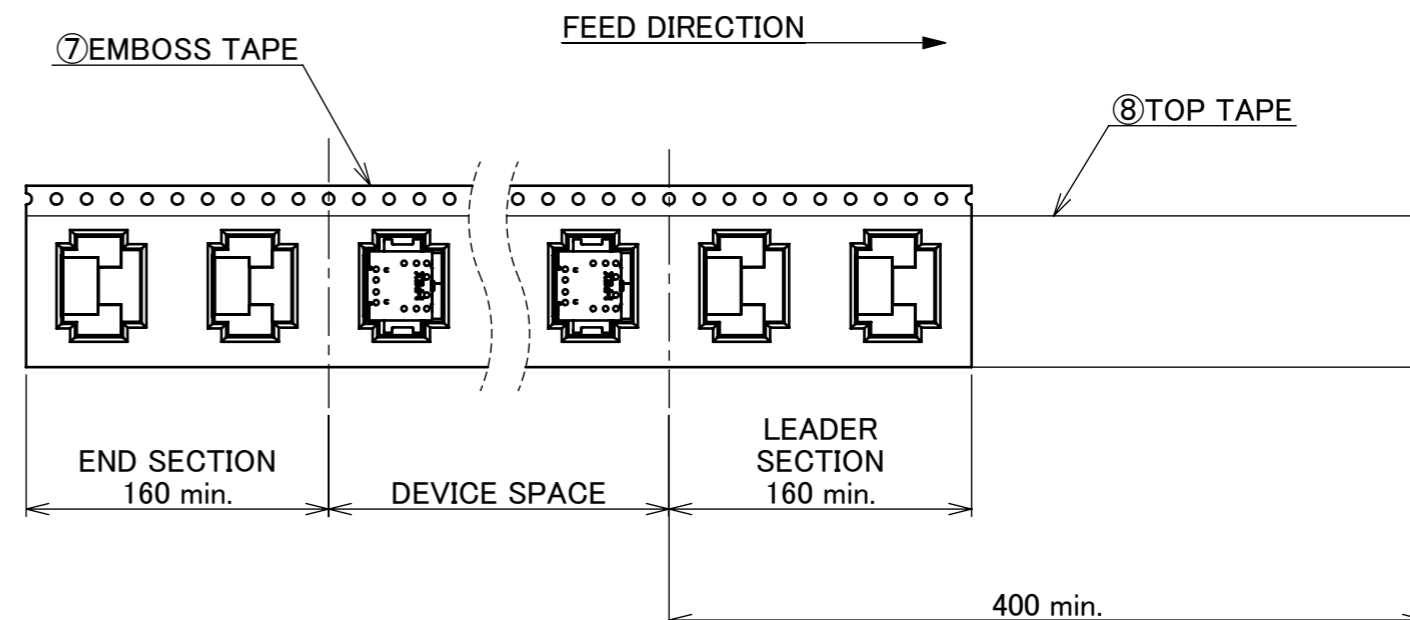
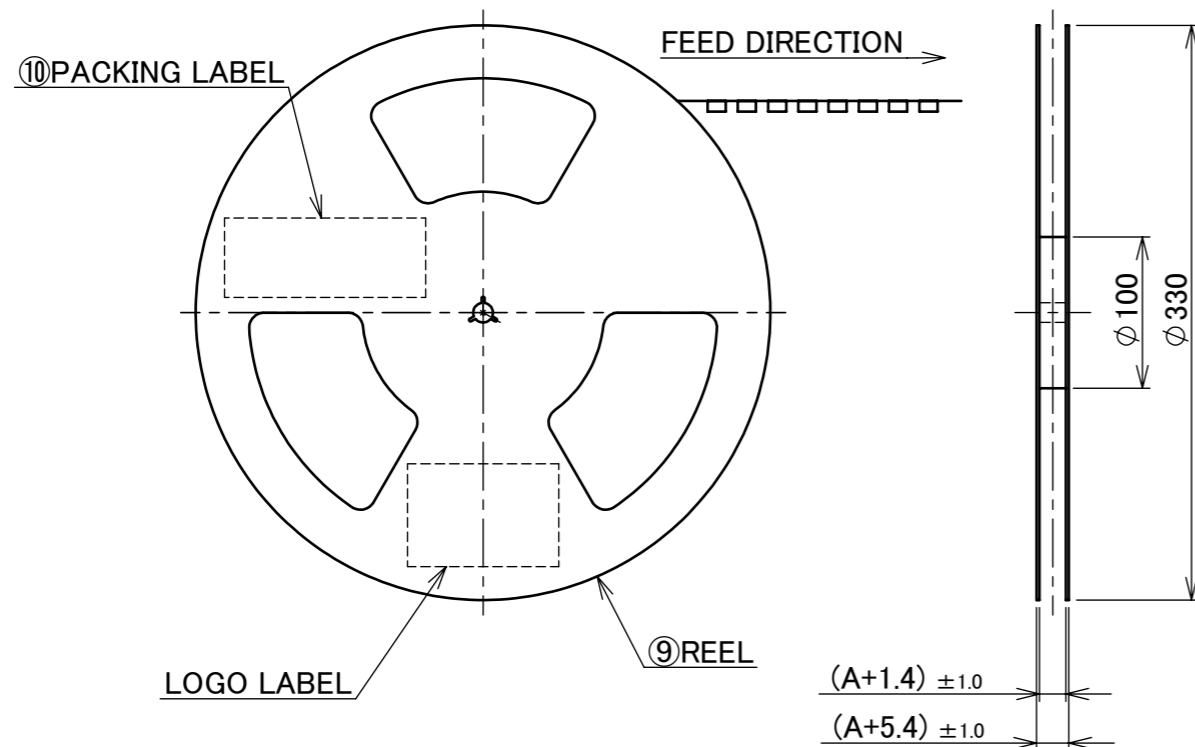
A1	A2	A3	A4	A5	A6	A7	A8	A9	A10	A11	A12
GND	TX1+	TX1-	V _{BUS}	CC1	D+	D-	SBU1	V _{BUS}	RX2-	RX2+	GND
B12	B11	B10	B9	B8	B7	B6	B5	B4	B3	B2	B1
GND	RX1+	RX1-	V _{BUS}	SBU2	D-	D+	CC2	V _{BUS}	TX2-	TX2+	GND

REV.	ECN	BY	DATE	APP.	ANGLE	6 OVER 30 MAX.	±0.3	PROJECTION	SERIES No.	CUSTOMER COPY
1	Z181532	S.S	2018/12/28	TAK	6 MAX.	±0.2	30 OVER 120 MAX.	⊕	R0	TITLE IX-UC2001 RECEPTACLE MID MOUNT TYPE
0	Z181093	R.H	2018/08/24		GENERAL TOLERANCE.					
REVISION RECORD					DWG.	R.Hoshino	DATE	2018/08/24	UNIT mm	
					CHK.	S.Suzuki	DATE	2018/08/24	SIZE A3	
					APP.	T.Hirakawa	DATE	2018/09/04	SHEET 1/4 REV. 1	

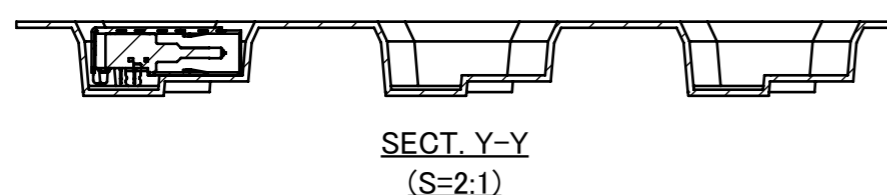
ITEMS	SPECIFICATION
RATING VOLTAGE	20V MAX.
RATING AMPERAGE (FOR VBUS PIN)	5A AC/DC
OPERATING TEMPERATURE	233~353K(-40°C~80°C)
CONTACT RESISTANCE	INITIAL : 40mohm MAX. / AFTER TEST : 50mohm MAX.
INSULATION RESISTANCE	100Mohm MIN.
DIELECTRIC WITHSTANDING VOLTAGE	AC100V 1min
DURABILITY	10,000 CYCLES
MATING FORCE (INITIAL / AFTER TEST)	20N MAX. 5N MIN.
UNMATING FORCE (INITIAL / AFTER TEST)	20N MAX. 8N MIN. / 20N MAX. 6N MIN.
COPLANARITY	0.10 MAX.
PRODUCT SPECIFICATION	PRS-2507
TEST REPORT	TR-18060
PACKING STANDARD	PST-18106

ANGLE	±2°	6 OVER 30 MAX.	±0.3	PROJECTION 	SERIES No. R0	CUSTOMER COPY	
	6 MAX.	±0.2	30 OVER 120 MAX.				±0.5
GENERAL TOLERANCE.				TITLE IX-UC2001 RECEPTACLE MID MOUNT TYPE	DWG. No. 30113	SCALE	
DWG.	DATE					UNIT	I-PEX
CHK.	DATE					mm	
APP.	DATE					SIZE	
					A3	SHEET 2/4 REV. 1	

PART NO.	A	B	QTY. PER EMBOSS REEL (PIECES / REEL)	QTY. PER PACKING CARTON (REELS / CARTON)
30113-024E-01	24	11.5	700 / REEL	700 × 6 REELS / CARTON = 4,200



SECT. X-X
(S=2:1)



NOTES.

- TAPING SPECIFICATION FOLLOWS JIS C 0806 (IEC 60286-3).
- MAKE EMPTY SECTION OF LEADER AND END ON EACH END OF THE TAPE.
- TOP TAPE SHALL NOT STICK OUT FROM EMBOSS TAPE.
- TOP TAPE SHALL NOT COVER FEED HOLE.

NO.	DESCRIPTION	MATERIAL	FINISH, REMARKS
10	PACKING LABEL	-	-
9	REEL	PS	BLUE
8	TOP TAPE	PS TRANSPARENCY	-
7	EMBASS TAPE	PS	-

ANGLE	±2°	6 OVER 30 MAX.	±0.3	PROJECTION	SERIES No.	CUSTOMER COPY
6 MAX.	±0.2	30 OVER 120 MAX.	±0.5		R0	
GENERAL TOLERANCE.				TITLE	SCALE	I-PEX
DWG.	DATE			IX-UC2001 RECEPTACLE MID MOUNT TYPE	1:X	
CHK.	DATE				mm	
APP.	DATE			DWG. No.	SIZE	
					30113	A3
						SHEET 4/4
						REV. 1