

PART NO.
S12078-001

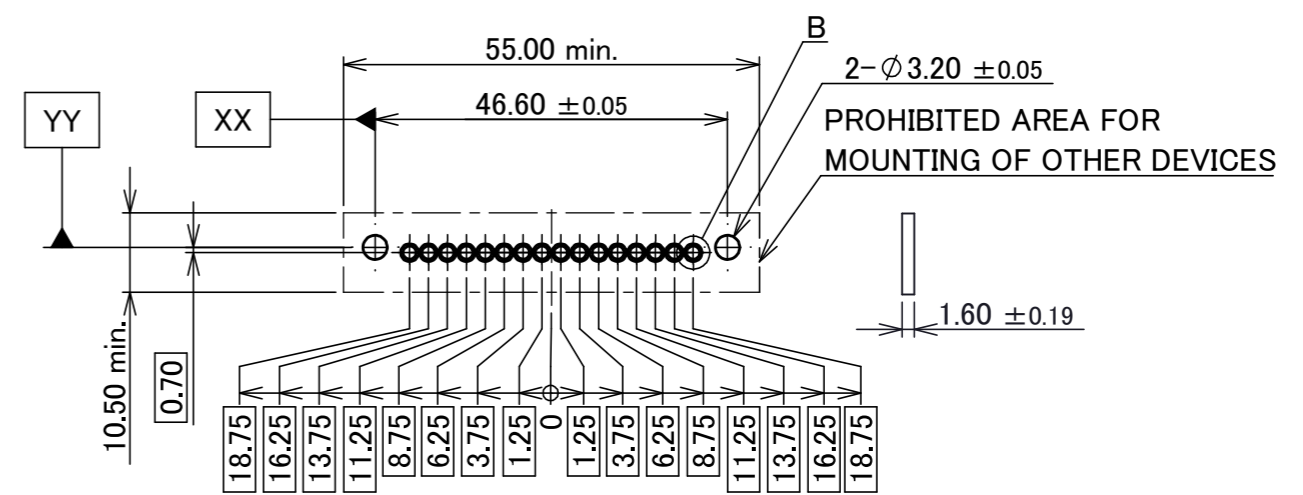
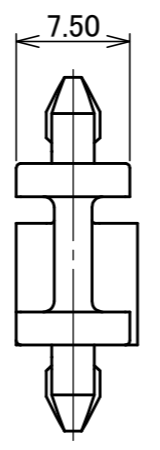
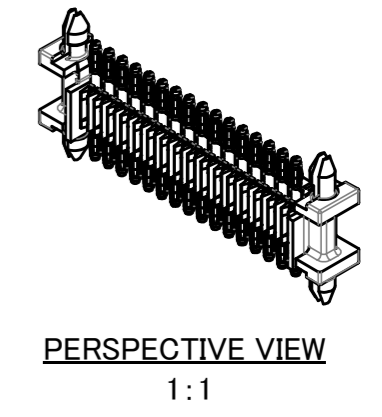
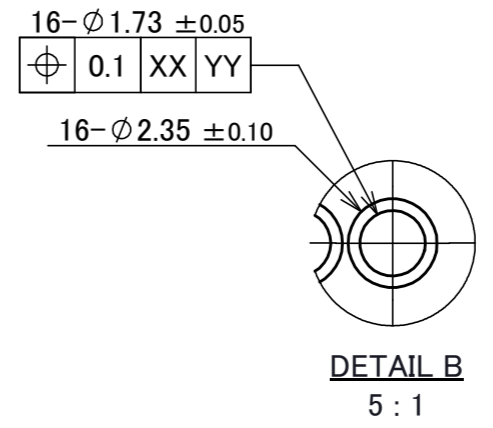
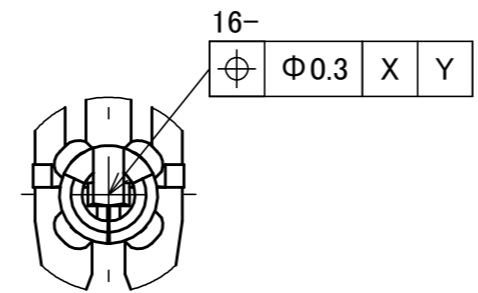
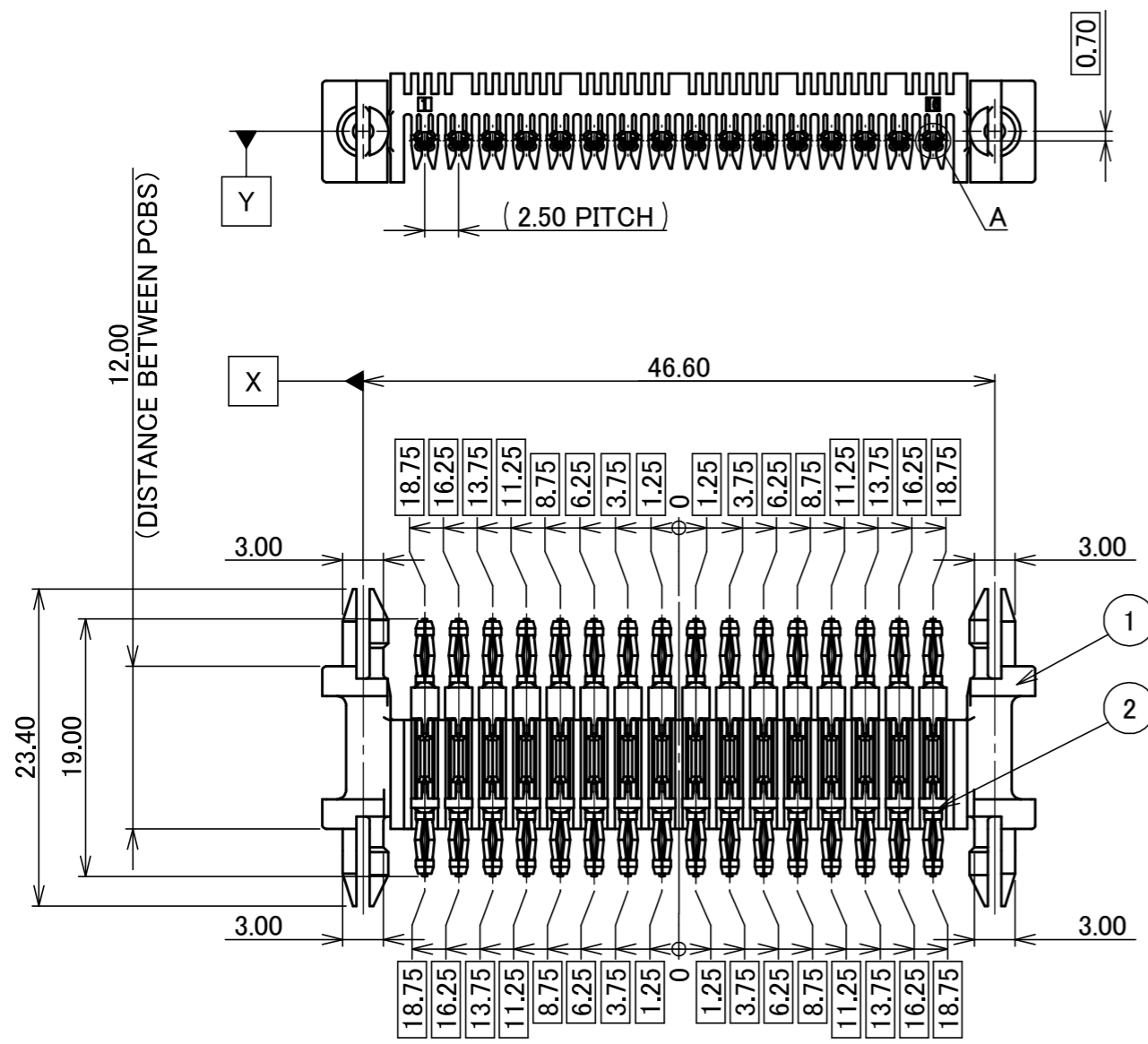


FIG.1 RECOMMENDED PCB PATTERN LAYOUT

- NOTES
- 1.RECOMMENDED PCB:
- DIMENSIONS: SHOWN IN FIG.1
 - THROUGH HOLE PLATING: Cu 25 μm MIN.
 - MATERIAL: T_g: +140°C MIN.

2	TERMINAL	COPPER ALLOY	Sn REFLOW
1	HOUSING	PBT	NATURAL
NO.	DESCRIPTION	MATERIAL	FINISH/COLOR/REMARKS

REV.	ECN	BY	DATE	APP.
2	S2163	H.H.	Sept./08/'21	J.T.
1	S1957	H.H.	May/26/'20	J.T.
0	S1496	T.T.	Mar./14/'18	
REVISION RECORD				
				T. ENDO

ANGLE	±2°	6 OVER 30 MAX.	±0.3	PROJECTION	SERIES No. R1	CUSTOMER COPY
		6 MAX.	±0.5			
GENERAL TOLERANCE.		120 OVER	±0.5%	TITLE ISFIT® 160 BOARD TYPE 16P	SCALE 2:1	UNIT mm
DSGN.	T. TAKEDA	DATE	Mar. /14/' 18			
CHK.	T. OSUGA	DATE	Mar. /16/' 18	DWG. No. CS12078	SIZE SHEET A3 1/1	REV. 2
APP.	T. ENDO	DATE	Mar. /16/' 18			

QHIM-E1A001-09-A3C Rev.1