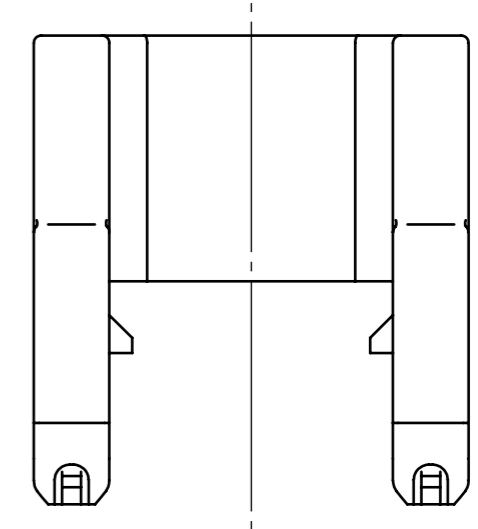
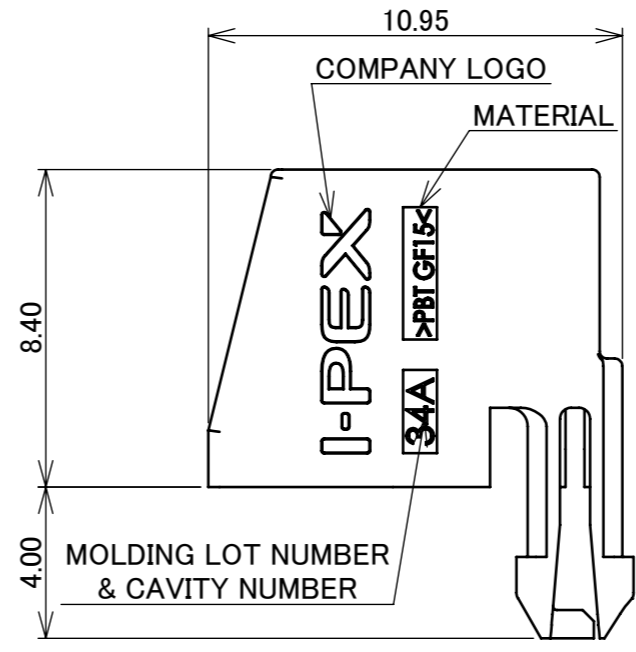
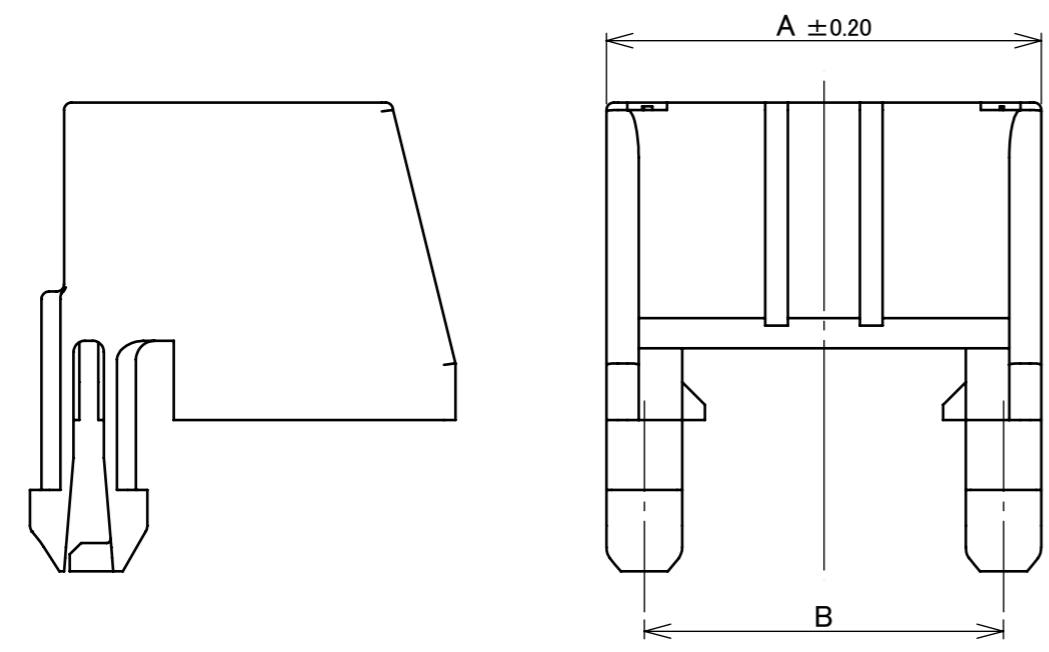
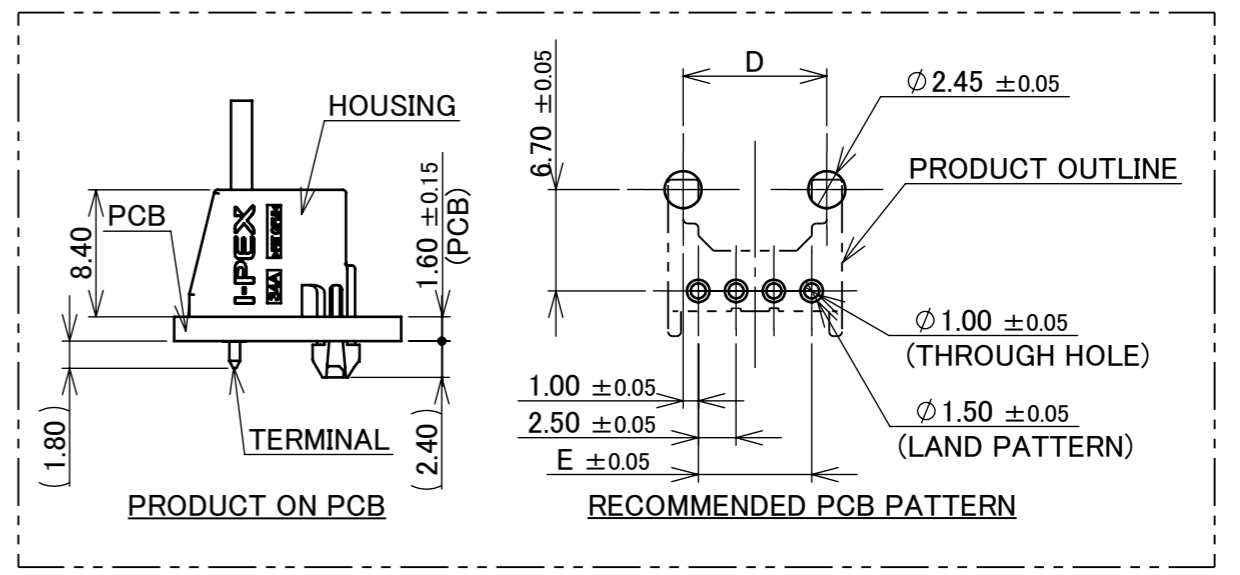
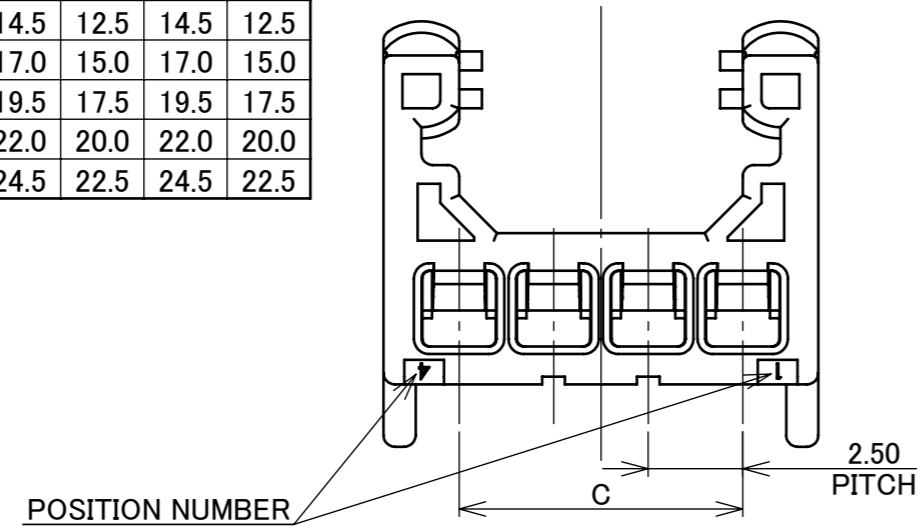
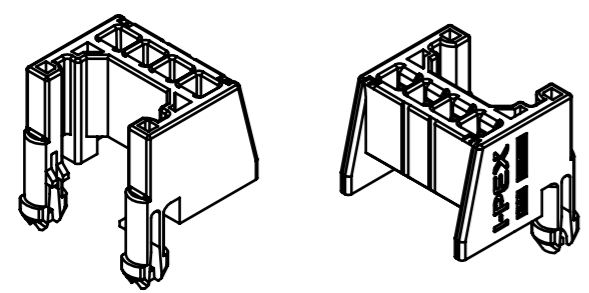


RECOMMENDED PART No. V0145-910-01**

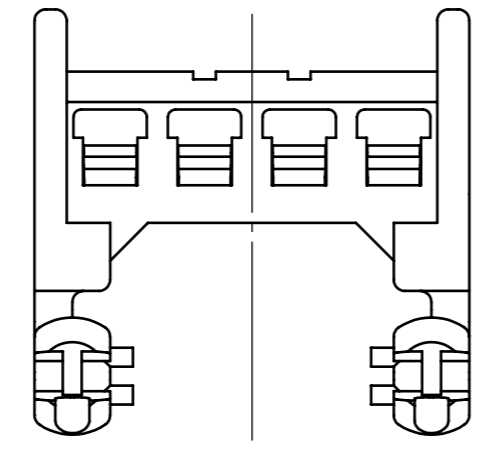
PART NO.	Pos.	A	B	C	D	E
V0145-91002-01	2	6.5	4.5	2.5	4.5	2.5
V0145-91003-01	3	9.0	7.0	5.0	7.0	5.0
V0145-91004-01	4	11.5	9.5	7.5	9.5	7.5
V0145-91005-01	5	14.0	12.0	10.0	12.0	10.0
V0145-91006-01	6	16.5	14.5	12.5	14.5	12.5
V0145-91007-01	7	19.0	17.0	15.0	17.0	15.0
V0145-91008-01	8	21.5	19.5	17.5	19.5	17.5
V0145-91009-01	9	24.0	22.0	20.0	22.0	20.0
V0145-91010-01	10	26.5	24.5	22.5	24.5	22.5



- NOTE**
1. TERMINAL P/N: V0145-71001-01
 2. COMPLY WITH ELV/RoHS
 3. PRODUCT SPECIFICATION NO.: PSS-0041
 4. HANDLING MANUAL NO.: HDM-0035



ISOMETRIC VIEW (2:1)



NO.	DESCRIPTION	MATERIAL	FINISH, REMARKS								
1	HOUSING	GLASS FILLED PBT	BLACK								
<table border="1"> <tr> <td>ANGLE</td> <td>±2°</td> <td>6 OVER 30 MAX.</td> <td>±0.3</td> </tr> <tr> <td></td> <td>6 MAX.</td> <td>±0.2</td> <td>30 OVER 120 MAX.</td> </tr> </table>				ANGLE	±2°	6 OVER 30 MAX.	±0.3		6 MAX.	±0.2	30 OVER 120 MAX.
ANGLE	±2°	6 OVER 30 MAX.	±0.3								
	6 MAX.	±0.2	30 OVER 120 MAX.								
			PROJECTION								
			SERIES No. R4								
			CUSTOMER COPY								
3	ZC00712	Kurita	May./25/'26								
2	Z250619	K.I	Apr./17/25								
1	S2486	Y.I	Aug./28/'24								
0	S2466	Y.I	July./02/'24								
REV.	ECN	BY	DATE								
REVISION RECORD											
			CHK. H.Kurita								
			APP. J.Tateishi								
			TITLE IARP® VERTICAL HOUSING								
			DWG. No. CV0145-9100N								
			SCALE 5:1								
			UNIT mm								
			SIZE A3								
			SHEET 1/1								
			REV. 3								