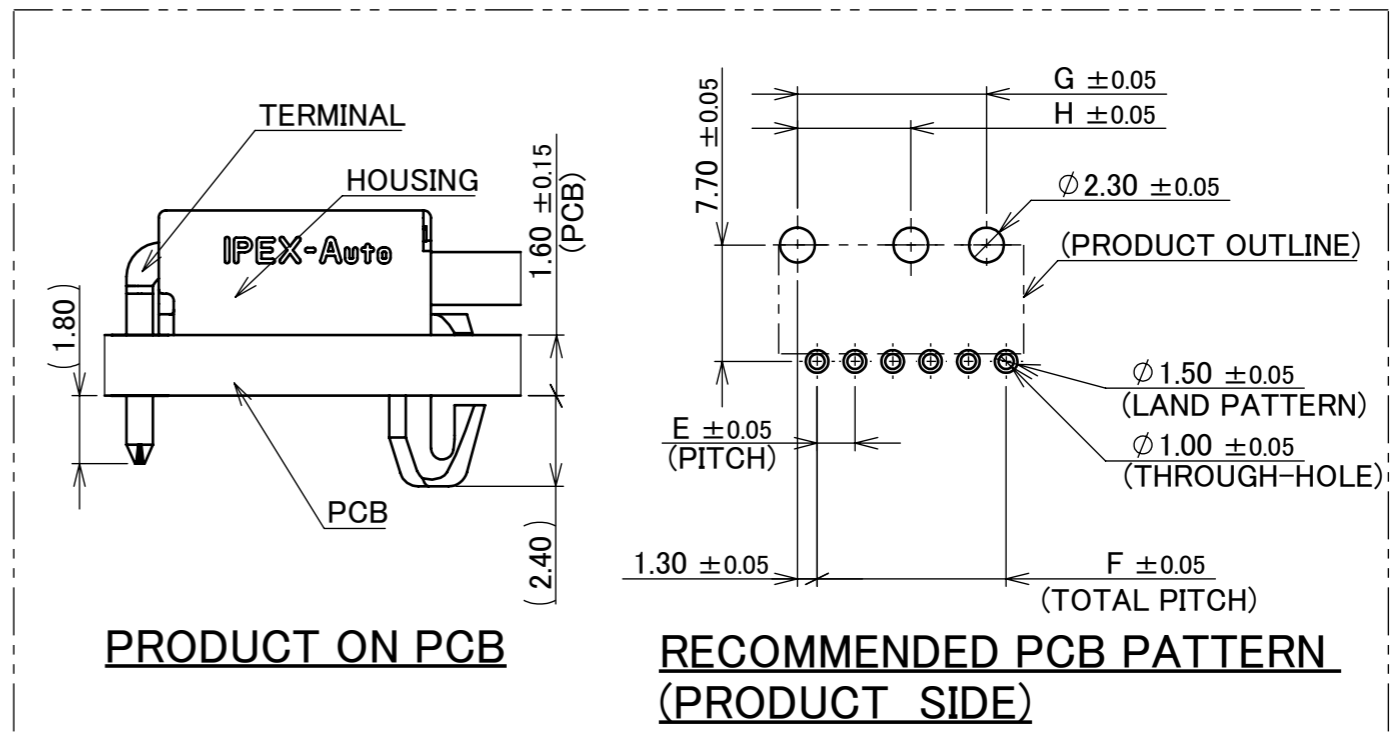
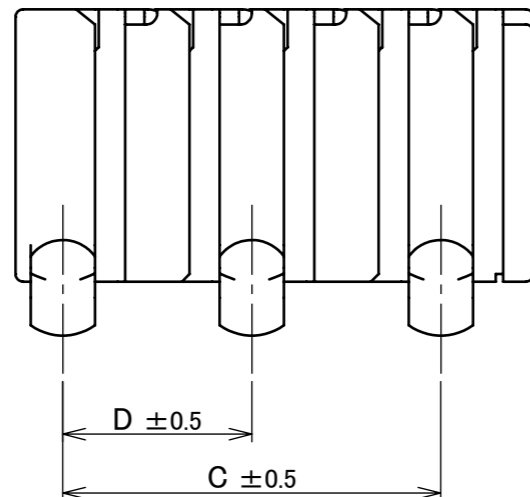
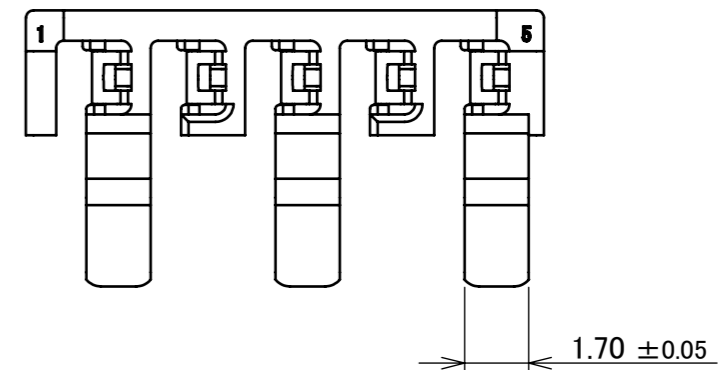
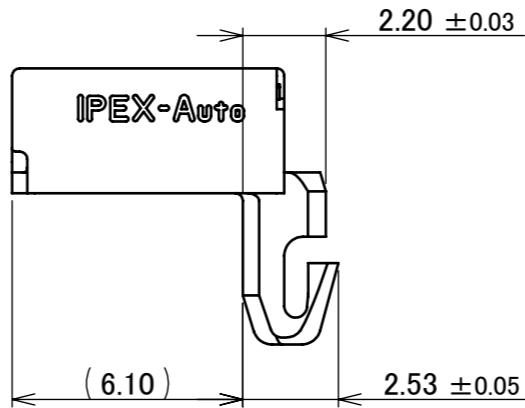
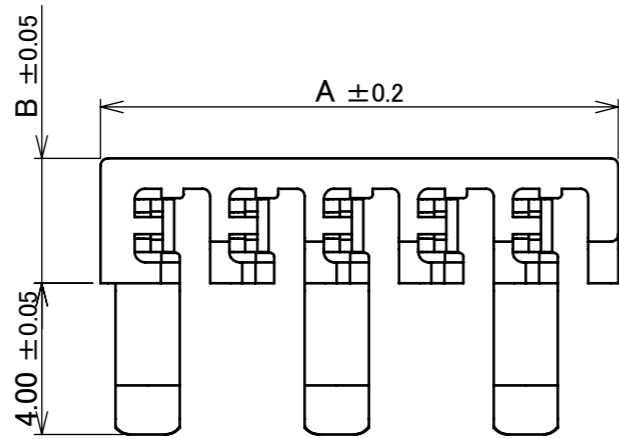
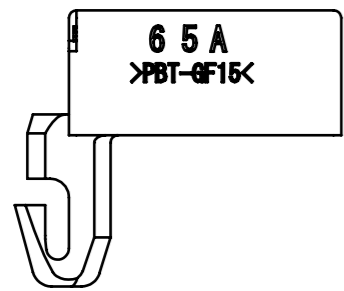
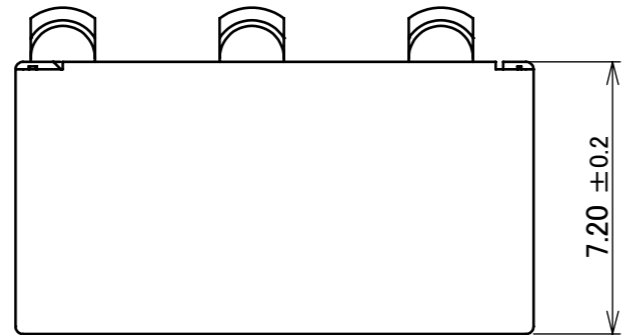


RECOMMENDED PART No. V0125-9100*-01

VARIATIONS	PART No.	COLOR	A	B	C	D	E	F	G	H
2P	V0125-91002-01	NATURAL	6.20	3.30	-	-	-	2.50	-	-
	◆V0125-91002-02	BLACK								
3P	V0125-91003-01	NATURAL	8.70	3.30	5.00	-	2.50	5.00	5.00	-
	◆V0125-91003-02	BLACK								
4P	V0125-91004-01	NATURAL	11.20	3.30	7.50	-	2.50	7.50	7.50	-
	◆V0125-91004-02	BLACK								
5P	V0125-91005-01	NATURAL	13.70	3.30	10.0	5.00	2.50	10.0	10.0	5.00
	◆V0125-91005-02	BLACK								
6P	V0125-91006-01	NATURAL	16.20	3.80	12.5	7.50	2.50	12.5	12.5	7.50
	◆V0125-91006-02	BLACK								

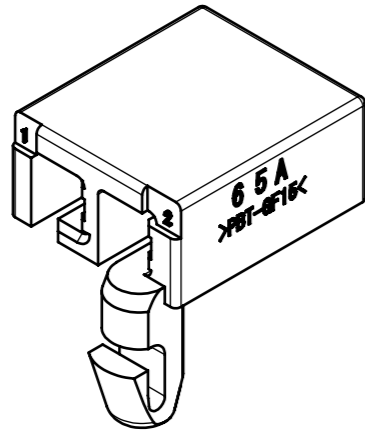
◆MARK MEANS NOT AVAILABLE.



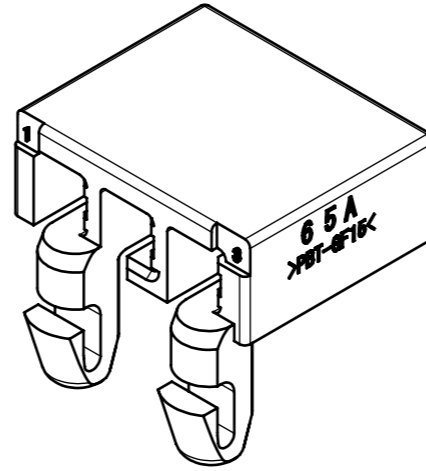
NOTE

1. TERMINAL...P/N: V0125-71001-01
2. COMPLY WITH ELV/RoHS
3. PRODUCT SPECIFICATION NO.: PSS-0037
4. HANDLING MANUAL NO.: HDM-0025

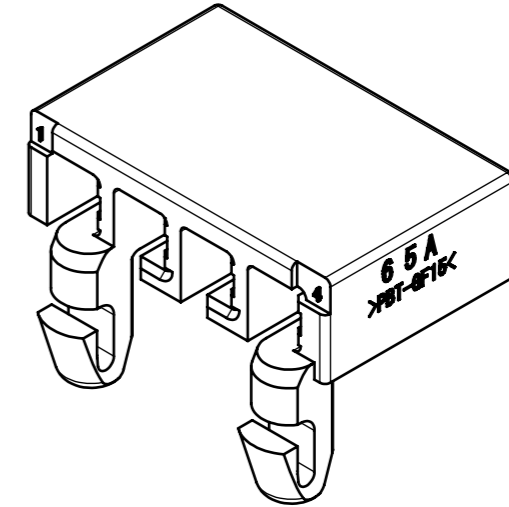
					1	HOUSING	GLASS FILLED PBT	NATURAL				
					NO.	DESCRIPTION	MATERIAL	FINISH/COLOR/REMARKS				
					ANGLE	±2°	6 OVER 30 MAX.	±0.3	PROJECTION			
					6 MAX.	±0.2	30 OVER 120 MAX.	±0.5	SERIES No. R1			
GENERAL TOLERANCE.								TITLE		SCALE		
6	ZC00720	K.Ira	May. 28/'26	T.Tkd	DWG.	T.Hoshino	DATE	2023/04/21	IARPB® HORIZONTAL HOUSING		5:1	
5	ZC00719	K.Ira	Apr. 25/'26	T.Tkd	CHK.	M.Muta					UNIT	
4	S2336	T.H	Apr. 21/'23	-	APP.	J.Tateishi					mm	
REV.	ECN	BY	DATE	APP.	REVISION RECORD			DWG. No.	CV0125-9100N	SIZE	SHEET	REV.
										A3	1/2	6



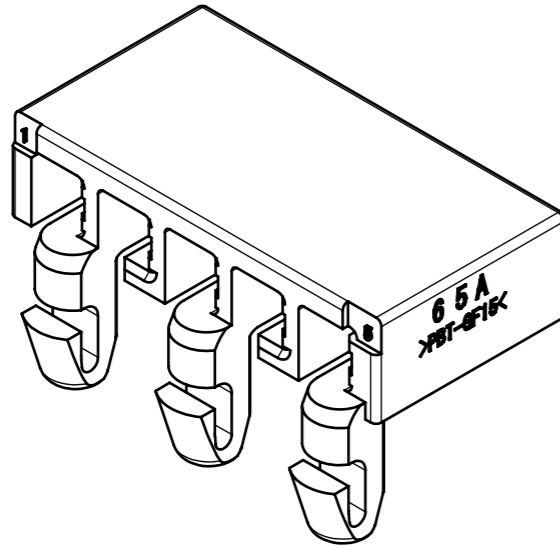
IARPB CONNECTOR 2P HOUSING
PARTS NO. V0125-91002-01, V0125-91002-02



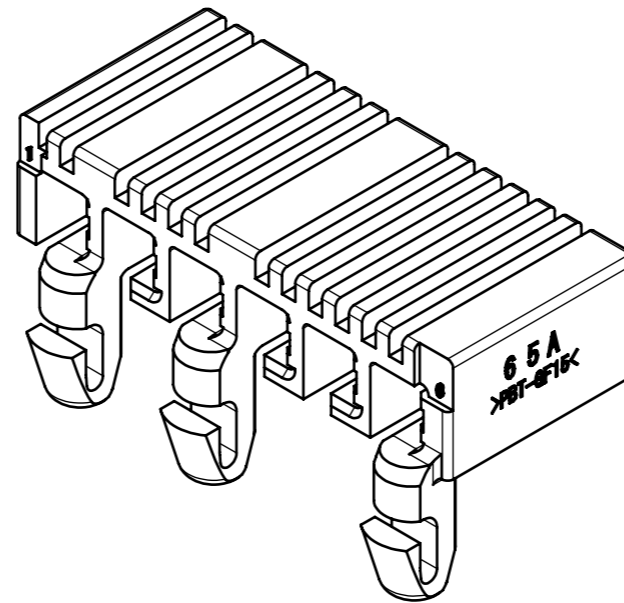
IARPB CONNECTOR 3P HOUSING
PARTS NO. V0125-91003-01, V0125-91003-02



IARPB CONNECTOR 4P HOUSING
PARTS NO. V0125-91004-01, V0125-91004-02



IARPB CONNECTOR 5P HOUSING
PARTS NO. V0125-91005-01, V0125-91005-02



IARPB CONNECTOR 6P HOUSING
PARTS NO. V0125-91006-01, V0125-91006-02

ANGLE	±2°	6 OVER 30 MAX.	±0.3	PROJECTION 	SERIES No. R1	CUSTOMER COPY					
6 MAX.	±0.2	30 OVER 120 MAX.	±0.5								
GENERAL TOLERANCE.				TITLE IARPB® HORIZONTAL HOUSING	SCALE 5:1	UNIT I-PEX					
DWG.	T.Hoshino	DATE	2023/04/21								
CHK.	M.Muta										
APP.	J.Tateishi										
				DWG. No.	CV0125-9100N	SIZE	A3	SHEET	2/2	REV.	6