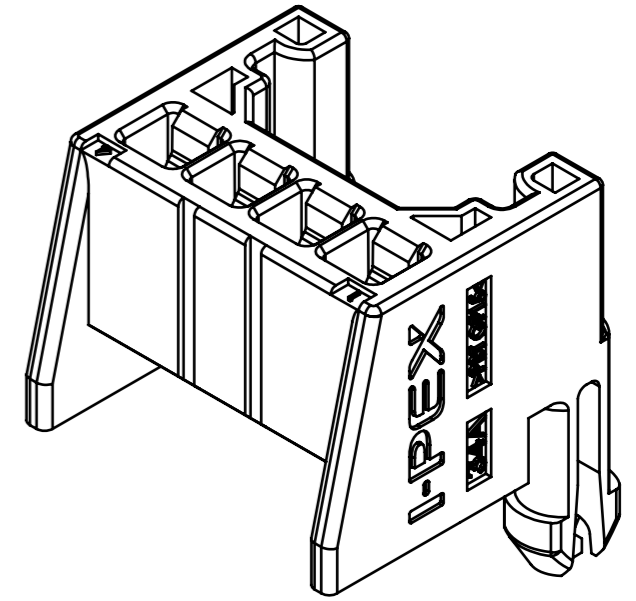
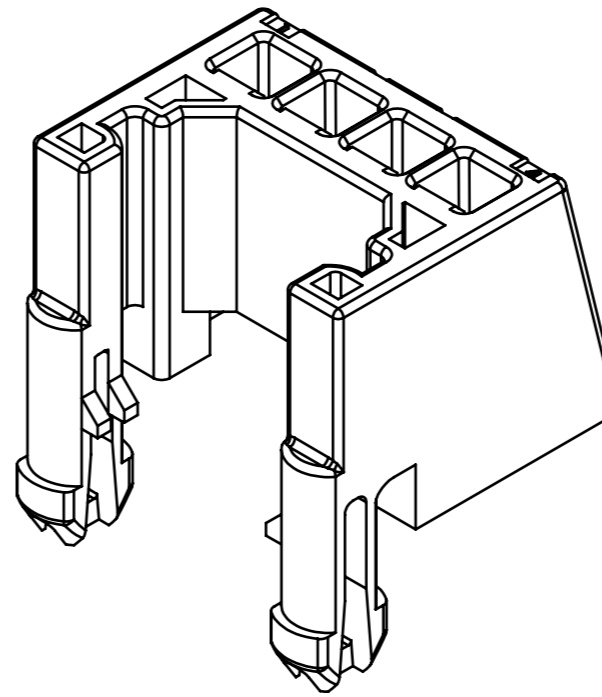
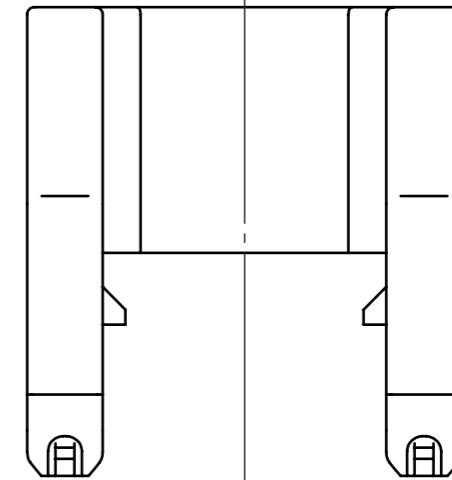
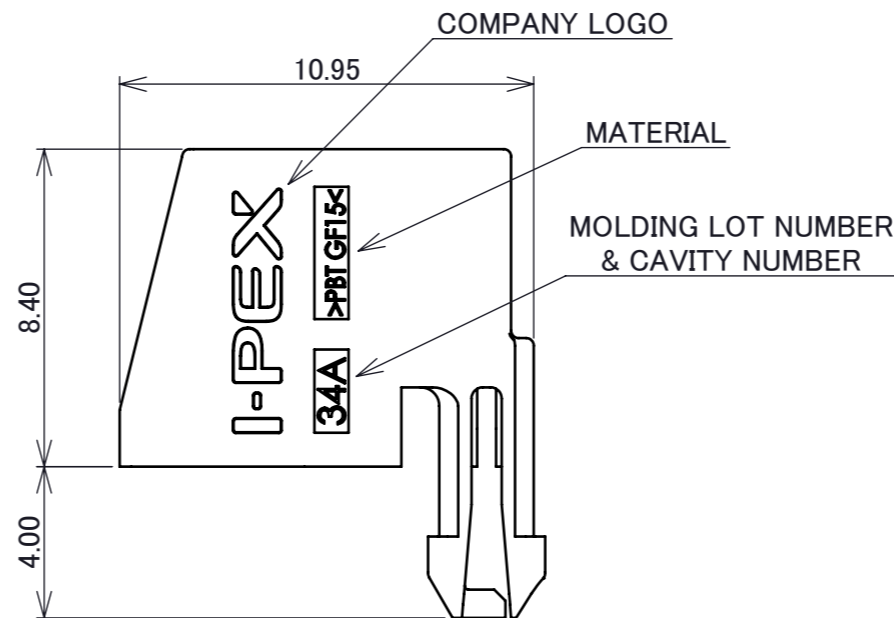
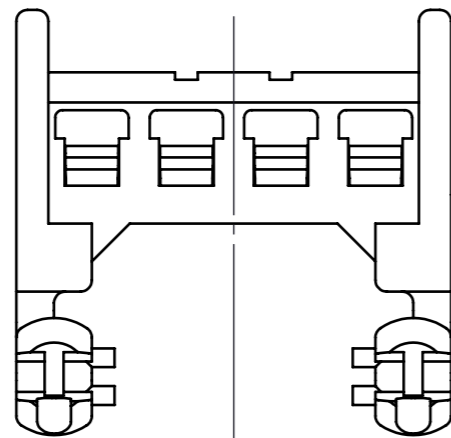
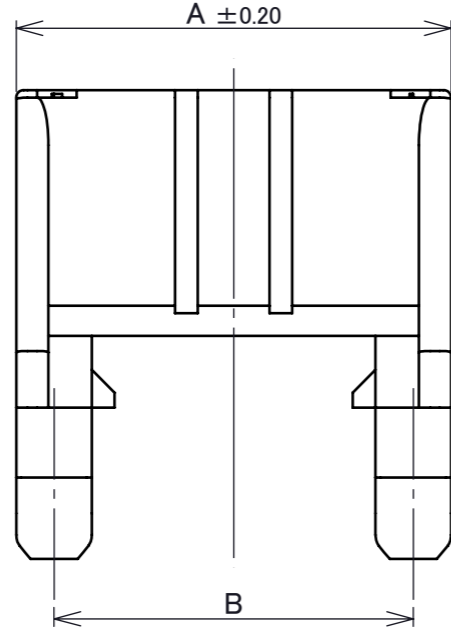
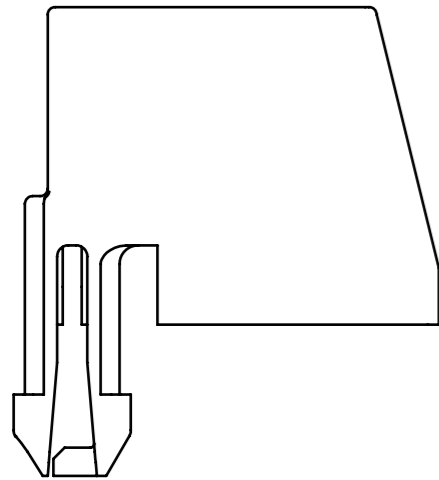
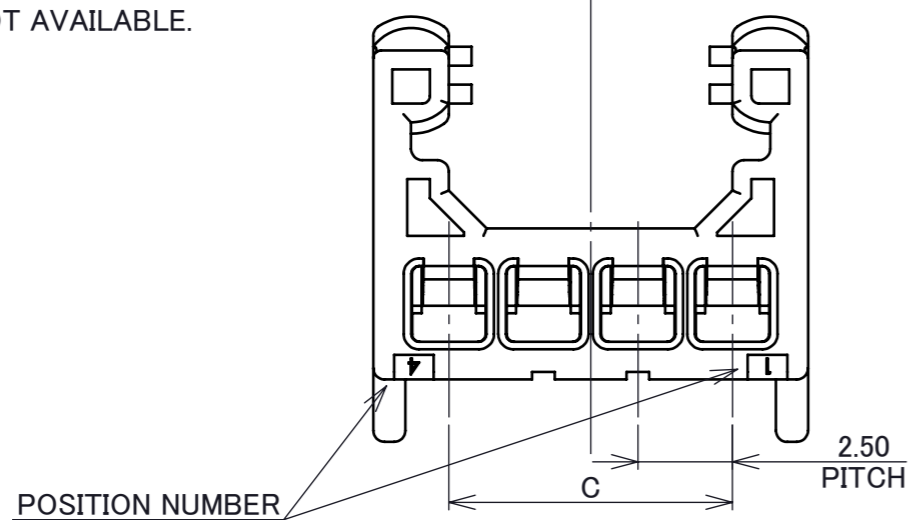


VARIATIONS	PART NO.	A	B	C
2P	V0145-91002-01	6.5	4.5	2.5
◆3P	V0145-91003-01	9.0	7.0	5.0
4P	V0145-91004-01	11.5	9.5	7.5
5P	V0145-91005-01	14.0	12.0	10.0
6P	V0145-91006-01	16.5	14.5	12.5
7P	V0145-91007-01	19.0	17.0	15.0
◆8P	V0145-91008-01	21.5	19.5	17.5
◆9P	V0145-91009-01	24.0	22.0	20.0
◆10P	V0145-91010-01	26.5	24.5	22.5

◆MARK MEANS NOT AVAILABLE.



ISOMETRIC VIEW



NOTE

1. TERMINAL P/N: V0145-71001-01
2. COMPLY WITH ELV/RoHS
3. PRODUCT SPECIFICATION NO.: PSS-0041
4. HANDLING MANUAL NO.: HDM-0035

NO.	DESCRIPTION	MATERIAL	FINISH/COLOR/REMARKS																
1	HOUSING	GLASS FILLED PBT	BLACK																
<table border="1"> <tr> <td>ANGLE</td> <td>±2°</td> <td>6 OVER 30 MAX.</td> <td>±0.3</td> </tr> <tr> <td></td> <td></td> <td>6 MAX.</td> <td>±0.2</td> </tr> <tr> <td colspan="2">GENERAL TOLERANCE.</td> <td>120 OVER</td> <td>±0.5%</td> </tr> </table>		ANGLE	±2°	6 OVER 30 MAX.	±0.3			6 MAX.	±0.2	GENERAL TOLERANCE.		120 OVER	±0.5%	<table border="1"> <tr> <td>PROJECTION</td> <td>SERIES No.</td> </tr> <tr> <td></td> <td>R4</td> </tr> </table>	PROJECTION	SERIES No.		R4	CUSTOMER COPY
ANGLE	±2°	6 OVER 30 MAX.	±0.3																
		6 MAX.	±0.2																
GENERAL TOLERANCE.		120 OVER	±0.5%																
PROJECTION	SERIES No.																		
	R4																		
<table border="1"> <tr> <td>DWG.</td> <td>DATE</td> </tr> <tr> <td>Y. IMAE</td> <td>July/02/'24</td> </tr> <tr> <td>CHK.</td> <td></td> </tr> <tr> <td>H. KURITA</td> <td>July/05/'24</td> </tr> </table>		DWG.	DATE	Y. IMAE	July/02/'24	CHK.		H. KURITA	July/05/'24	TITLE	SCALE								
DWG.	DATE																		
Y. IMAE	July/02/'24																		
CHK.																			
H. KURITA	July/05/'24																		
<table border="1"> <tr> <td>REV.</td> <td>ECN</td> <td>BY</td> <td>DATE</td> <td>APP.</td> </tr> <tr> <td></td> <td></td> <td></td> <td></td> <td></td> </tr> </table>		REV.	ECN	BY	DATE	APP.						IARPB® VERTICAL HOUSING	5:1						
REV.	ECN	BY	DATE	APP.															
<table border="1"> <tr> <td>REV.</td> <td>ECN</td> <td>BY</td> <td>DATE</td> <td>APP.</td> </tr> <tr> <td></td> <td></td> <td></td> <td></td> <td></td> </tr> </table>		REV.	ECN	BY	DATE	APP.						DWG. No.	UNIT						
REV.	ECN	BY	DATE	APP.															
REVISION RECORD		J. TATEISHI	July/05/'24	mm															
				I-PEX															
				SIZE SHEET															
				A3 1/1															
				REV. 1															

QHIM-E1A001-09-A3C Rev.2