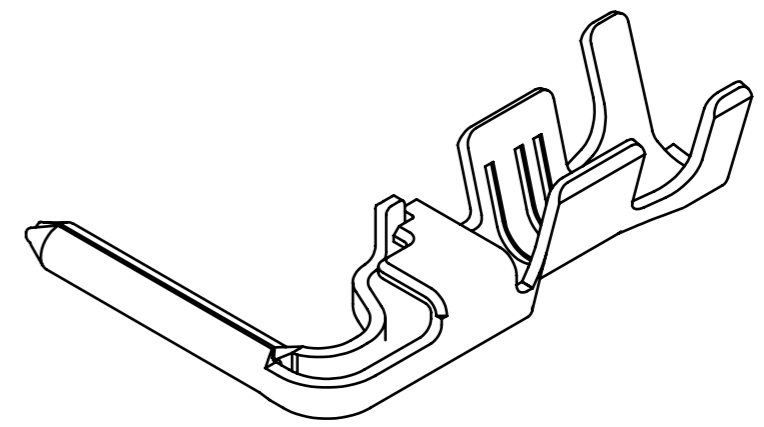
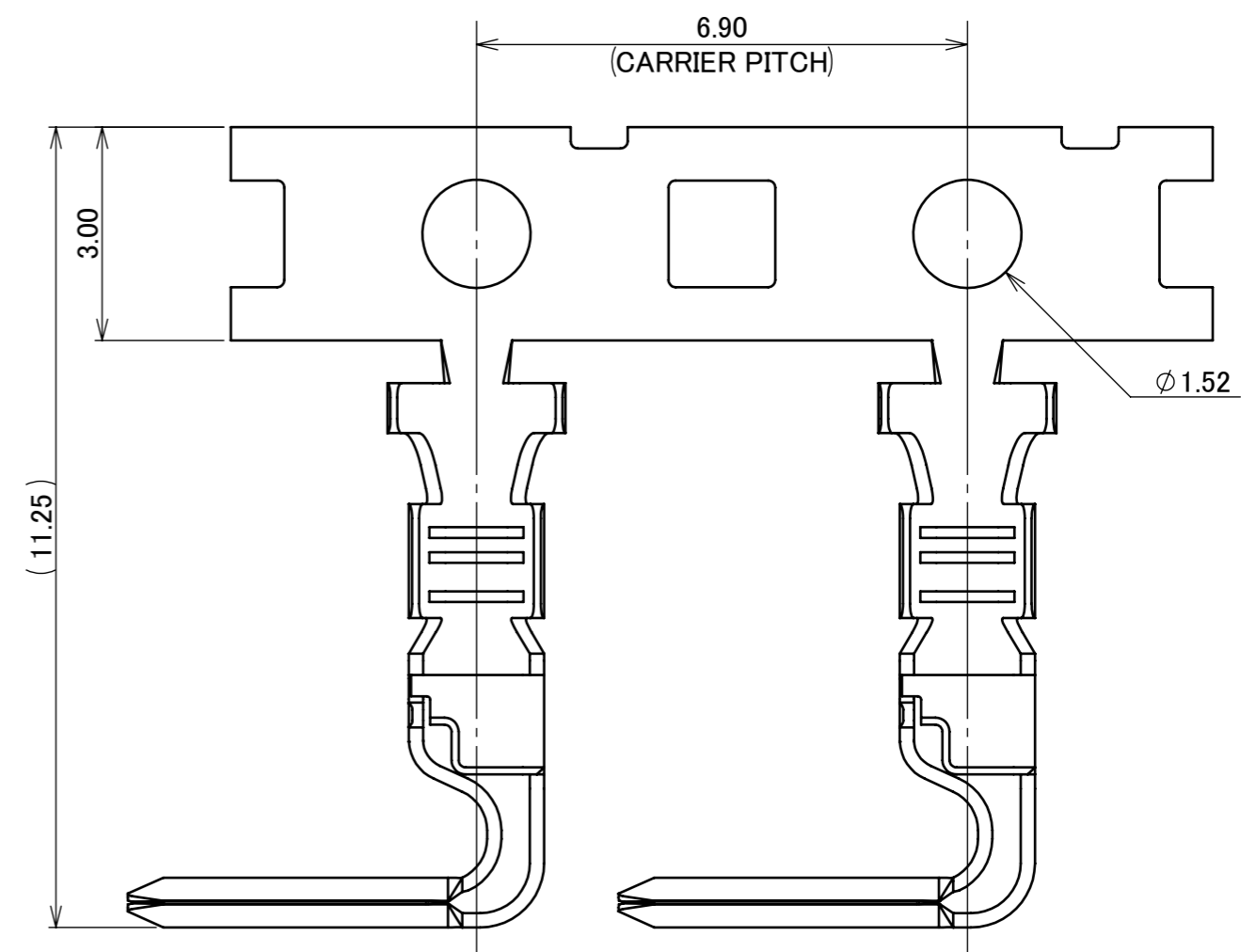
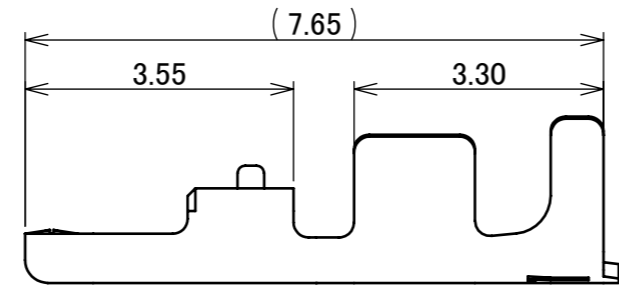
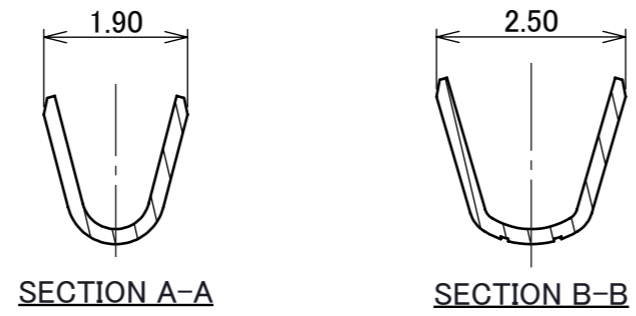
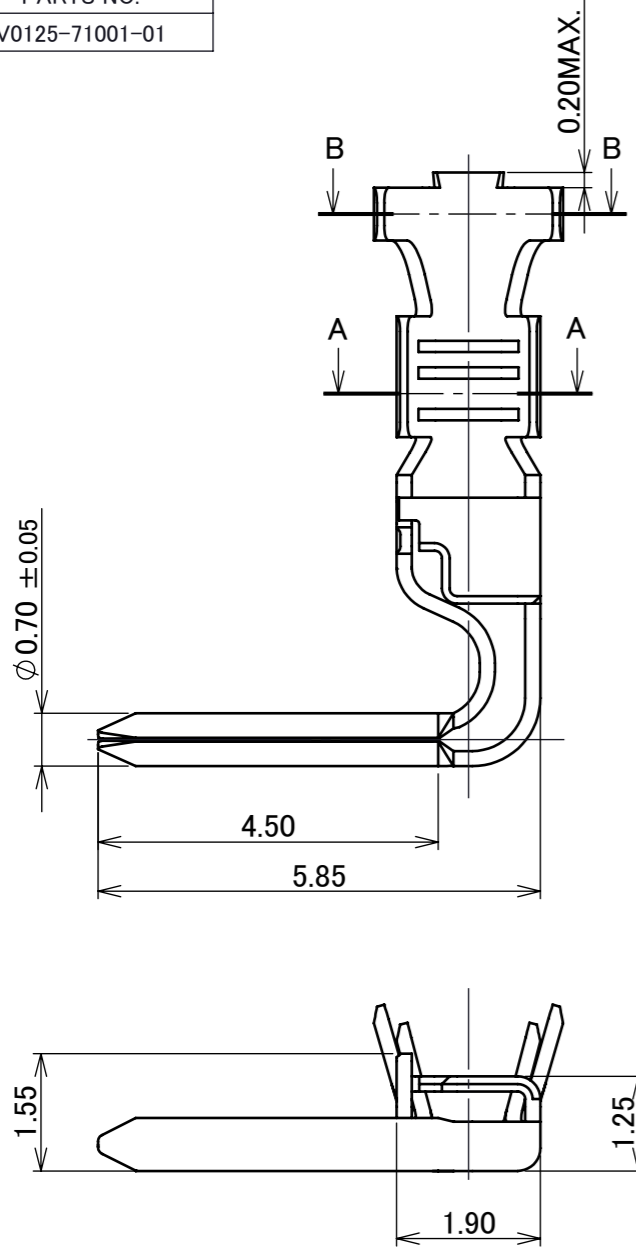


PARTS NO.
V0125-71001-01



ISOMETRIC VIEW
(10 : 1)

- NOTE
- HOUSING...P/N 2P: V0125-91002-01
3P: V0125-91003-01
4P: V0125-91004-01
5P: V0125-91005-01
6P: V0125-91006-01
 - CABLE: 0.3mm² (FINISHED Φ 1.67mm MAX.)
 - COMPLY WITH ELV/RoHS
 - PRODUCT SPECIFICATION NO.: PSS-0037
 - HANDLING MANUAL NO.: HDM-0025

REV.	ECN	BY	DATE	APP.
4	S2336	T.H	Apr. 21/'23	

1	TERMINAL	BRASS	REFLOW Sn
NO.	DESCRIPTION	MATERIAL	FINISH/COLOR/REMARKS
ANGLE	$\pm 2^\circ$ 6 OVER 30 MAX.	± 0.3	
6 MAX.	± 0.2 30 OVER 120 MAX.	± 0.5	
GENERAL TOLERANCE.		120 OVER	$\pm 0.5\%$
DWG.	T. HOSHINO	DATE	Apr. 21/'23
CHK.	M. MUTA	DATE	Apr. 26/'23
APP.	J. TATEISHI	DATE	Apr. 28/'23

PROJECTION

SERIES No. R0

TITLE IARP[®] CONNECTOR TERMINAL

SCALE 10:1

UNIT mm

SIZE A3

SHEET 1/1

REV. 4

CUSTOMER COPY

I-PEX

QHIM-E1A001-09-A3C Rev.2