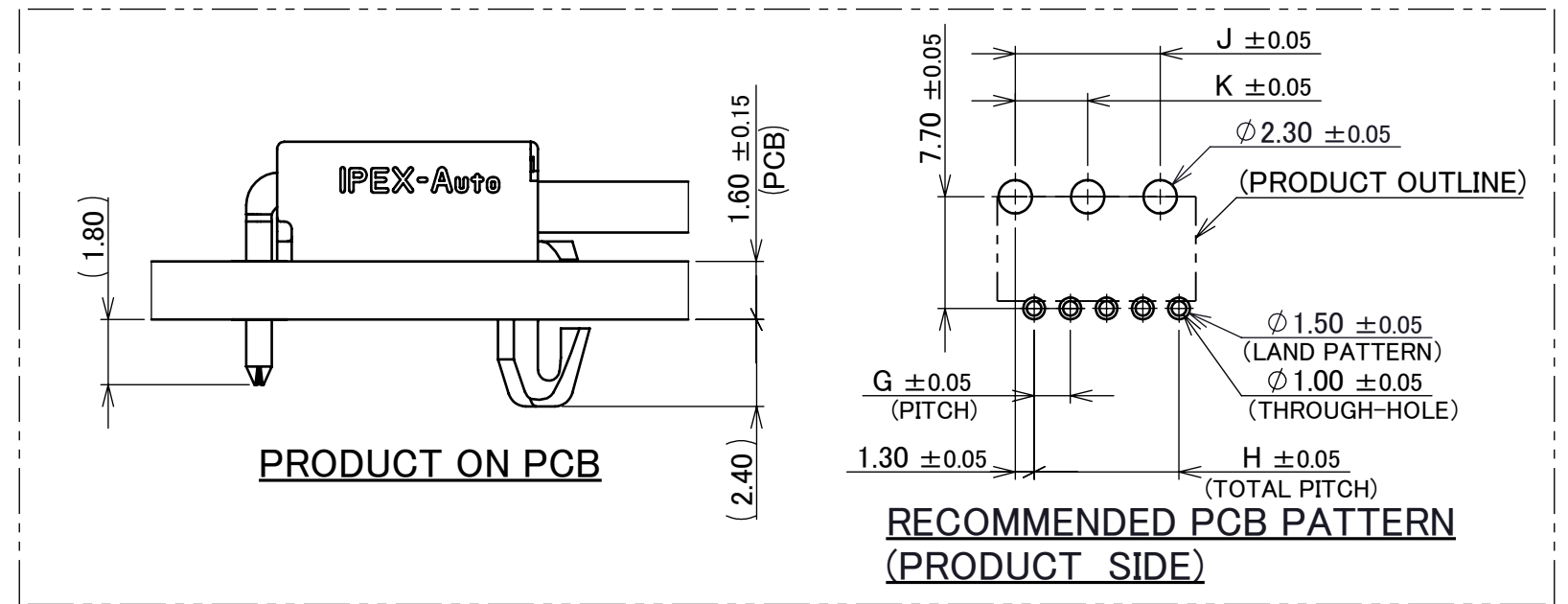
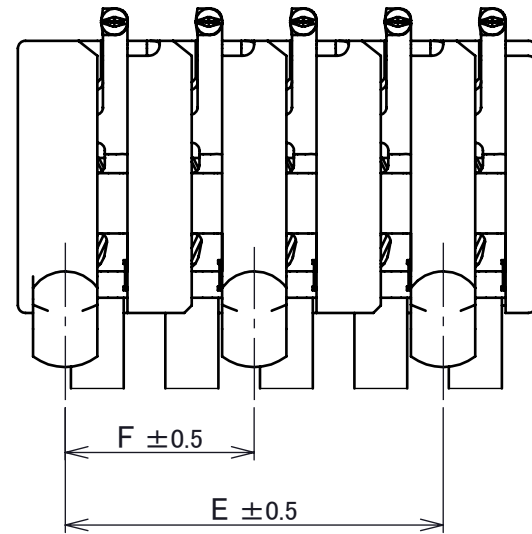
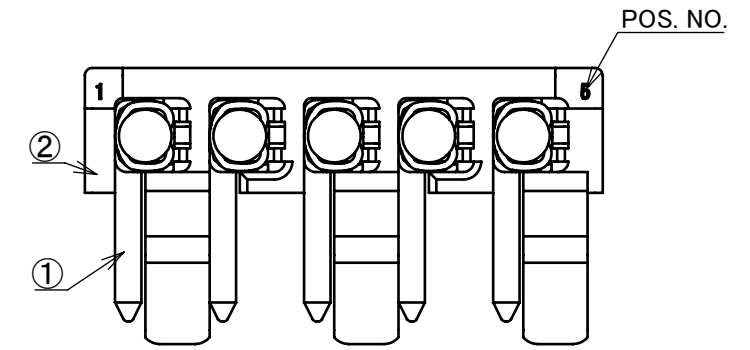
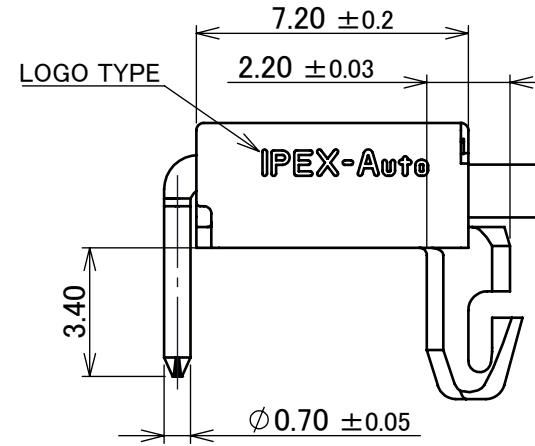
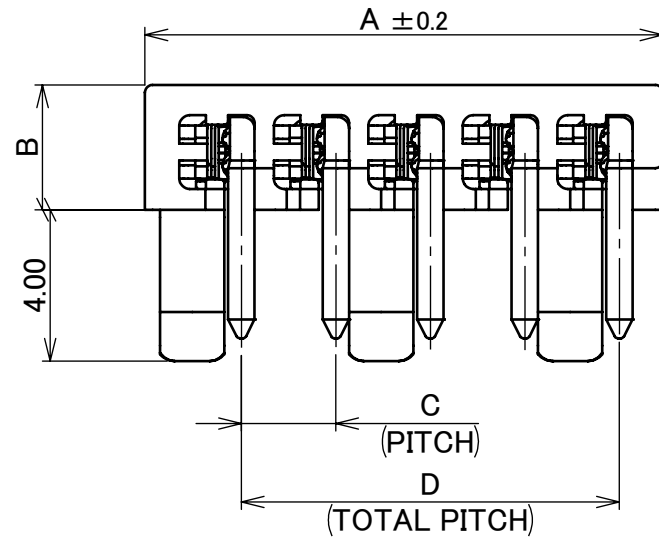
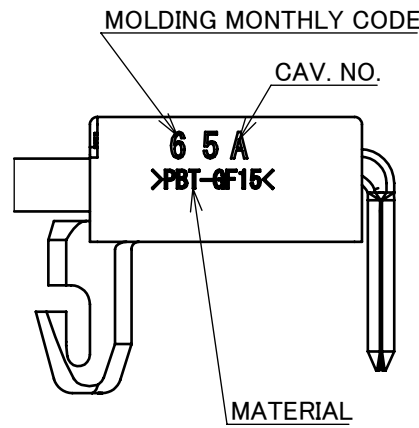


VARIATIONS	SET PARTS NO.	A	B	C	D	E	F	G	H	J	K
2P	V0125-002A-01	6.20	3.30	-	2.50	-	-	-	2.50	-	-
3P	V0125-003A-01	8.70	3.30	2.50	5.00	5.00	-	2.50	5.00	5.00	-
4P	V0125-004A-01	11.20	3.30	2.50	7.50	7.50	-	2.50	7.50	7.50	-
5P	V0125-005A-01	13.70	3.30	2.50	10.0	10.0	5.00	2.50	10.0	10.0	5.00
6P	V0125-006A-01	16.20	3.80	2.50	12.5	12.5	7.50	2.50	12.5	12.5	7.50



- NOTE
- CABLE: 0.3mm<sup>2</sup> (FINISHED  $\Phi$  1.67mm MAX.)
  - COMPLY WITH ELV/RoHS
  - PRODUCT SPECIFICATION NO.: PSS-0037
  - HANDLING MANUAL NO.: HDM-0025

NO.	DESCRIPTION	MATERIAL	FINISH/COLOR/REMARKS
2	HOUSING	GLASS FILLED PBT	NATURAL
1	TERMINAL	BRASS	REFLOW Sn

REV.	ECN	BY	DATE	APP.	DESCRIPTION	DATE	APP.
4	S2371	T.H	July. 13/'23	J.T			
3	S2336	T.H	Apr. 21/'23				
REVISION RECORD							
					J. TATEISHI	Apr. 28/'23	

ANGLE	±2°	6 OVER 30 MAX.	±0.3
6 MAX.	±0.2	30 OVER 120 MAX.	±0.5
GENERAL TOLERANCE.	120 OVER		±0.5%

DWG.	DATE	TITLE	SCALE
T. HOSHINO	Apr. 21/'23	IARPB <sup>®</sup> CONNECTOR ASS'Y	5:1
M. MUTA	Apr. 26/'23		mm
J. TATEISHI	Apr. 28/'23		

SERIES No.	CUSTOMER COPY
-	

SIZE	SHEET	REV.
A3	1/2	4

QHIM-E1A001-09-A3C Rev.2

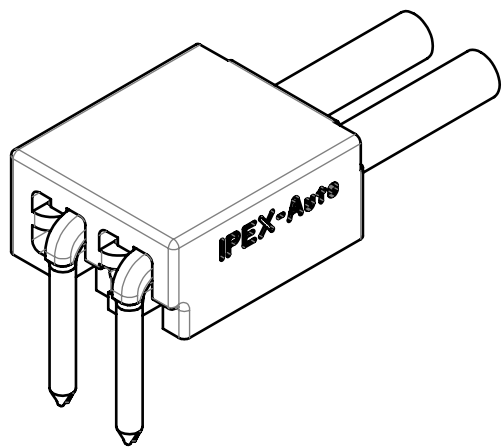
1

2

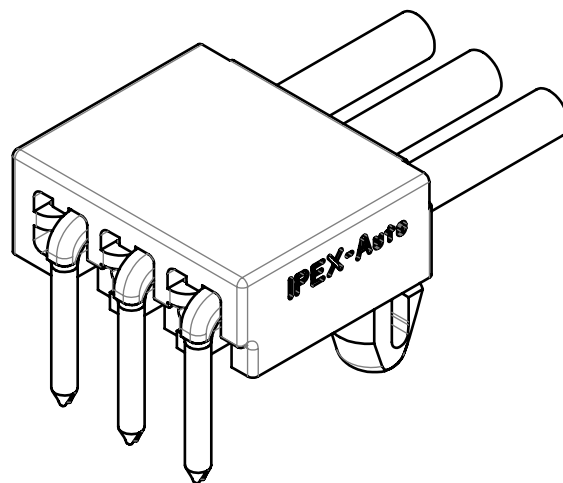
3

4

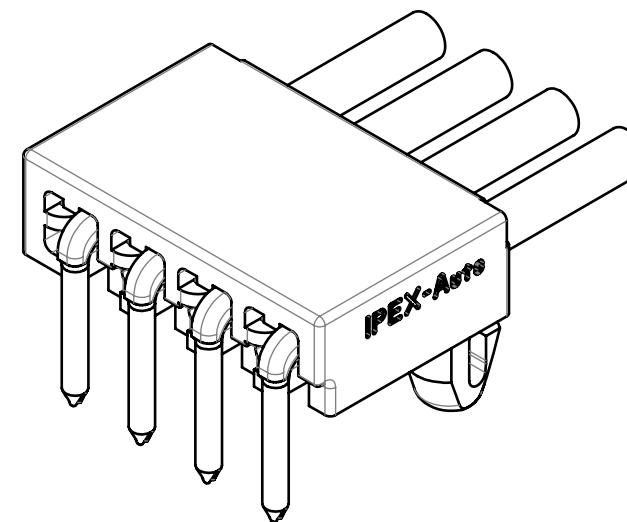
5



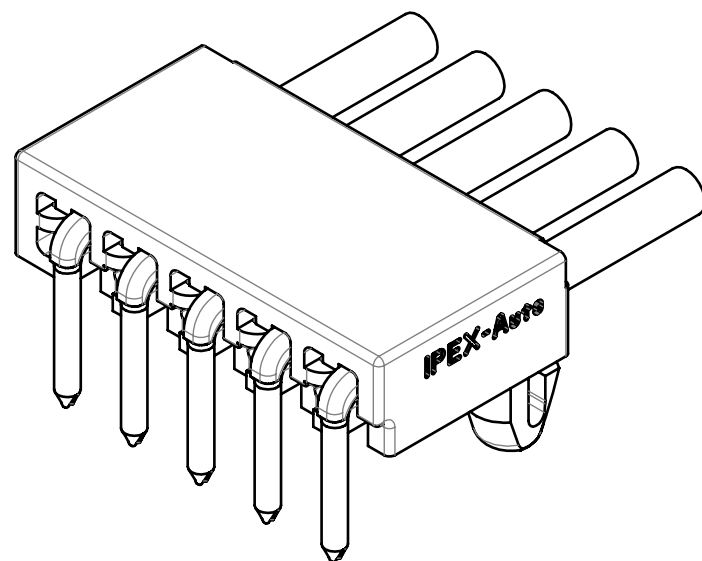
IARPB CONNECTOR 2P  
SET PARTS NO. V0125-002A-01



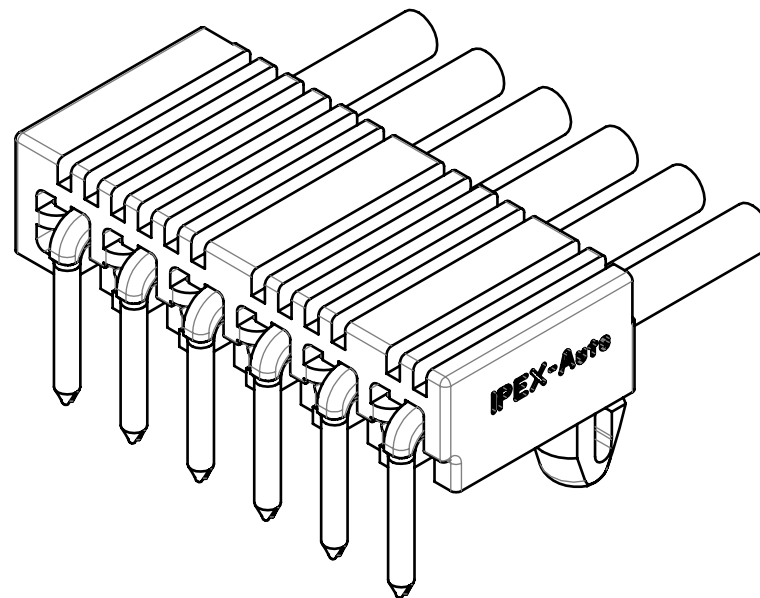
IARPB CONNECTOR 3P  
SET PARTS NO. V0125-003A-01



IARPB CONNECTOR 4P  
SET PARTS NO. V0125-004A-01



IARPB CONNECTOR 5P  
SET PARTS NO. V0125-005A-01



IARPB CONNECTOR 6P  
SET PARTS NO. V0125-006A-01

QHIM-E1A001-09-A3C Rev.2

ANGLE	±2°	6 OVER 30 MAX.	±0.3	PROJECTION	SERIES No.	CUSTOMER COPY		
					-			
6 MAX.	±0.2	30 OVER 120 MAX.	±0.5	TITLE	SCALE	I-PEX		
GENERAL TOLERANCE.	120 OVER	±0.5%		IARPB <sup>®</sup> CONNECTOR ASS'Y	5:1			
				DWG. No.	UNIT			
				CV0125-00NA	mm	SIZE	SHEET	REV.
					A3	2/2	4	