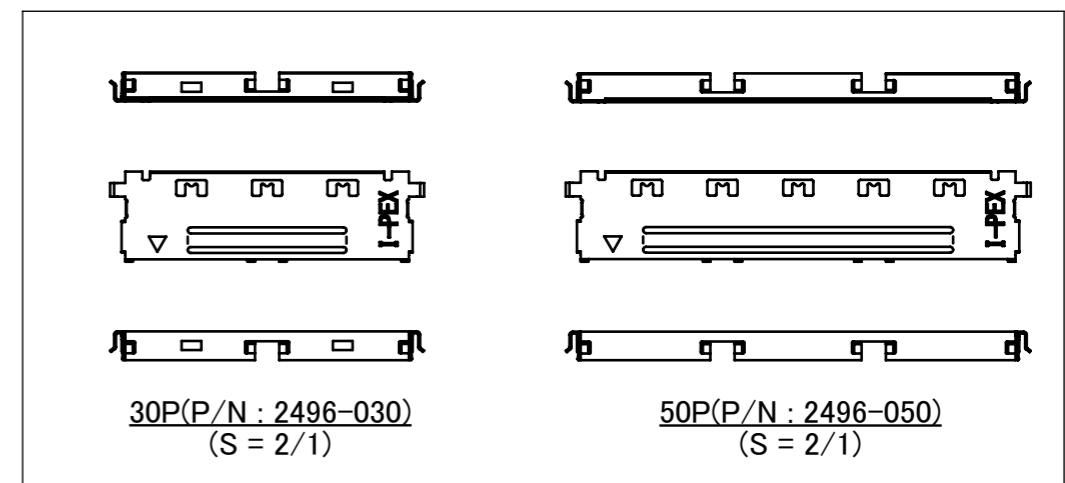
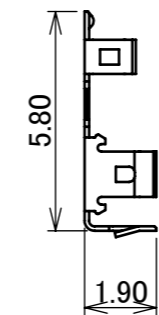
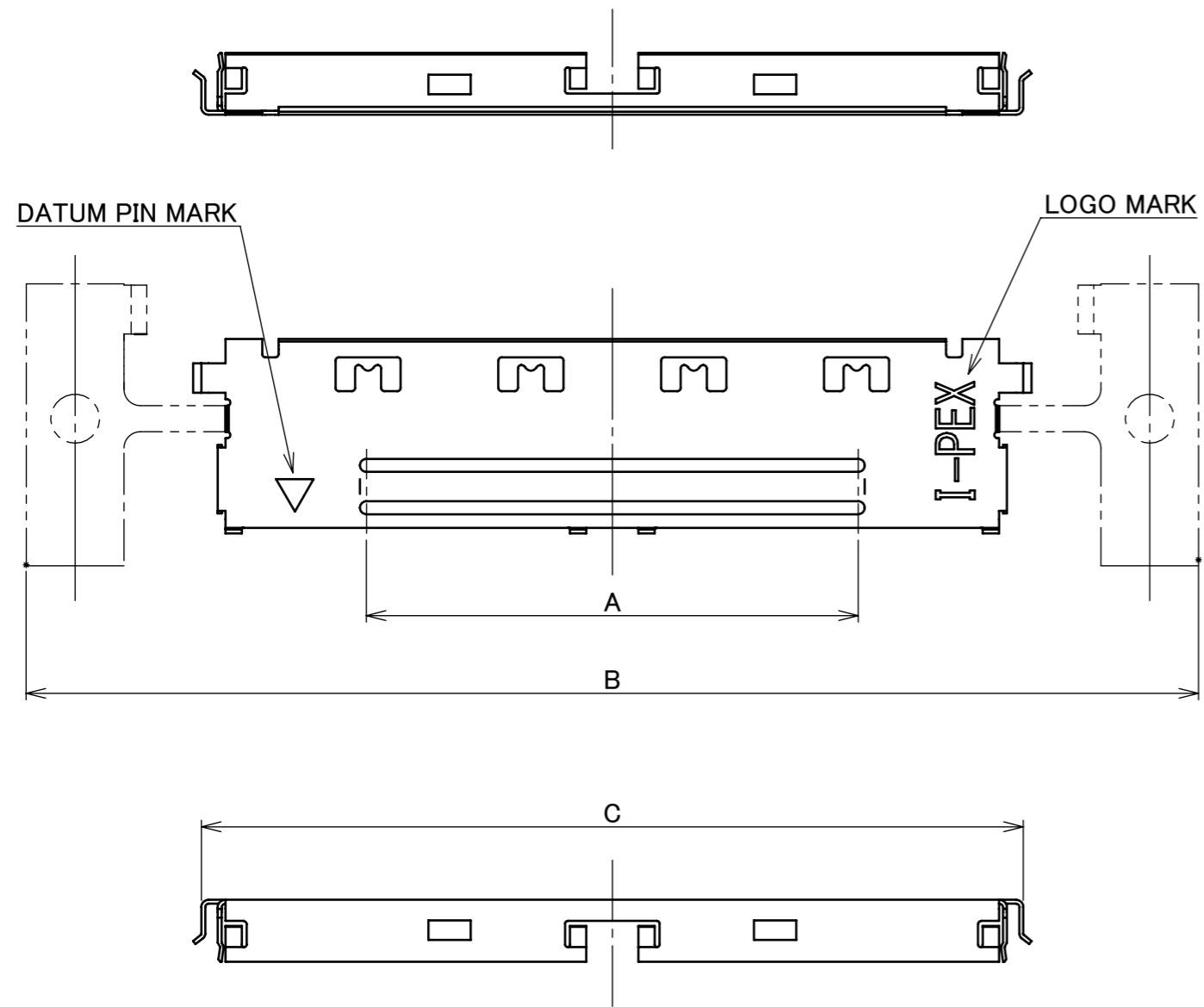
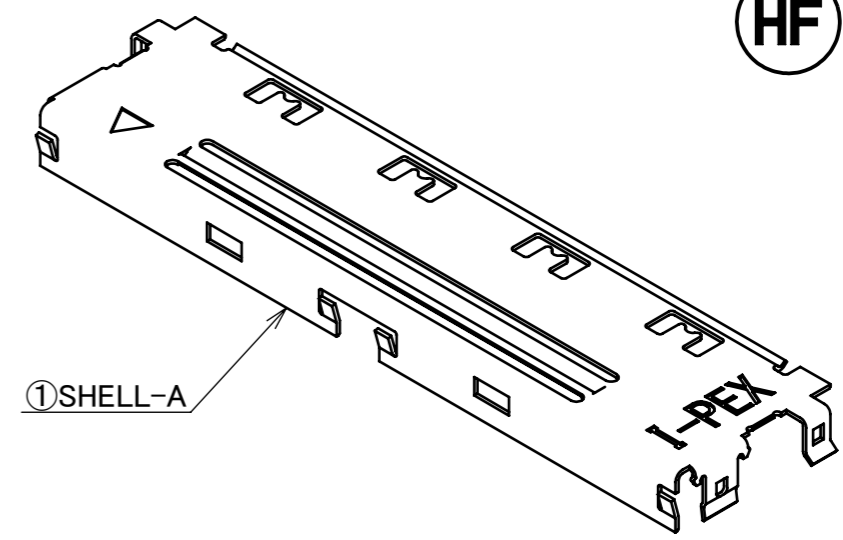
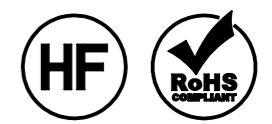


Recommended P/N 2496-0**

PART NO.	Pos.	A	B	C	D
2496-030	30	10.00	30.00	20.24	35.00
2496-040	40	15.00	36.00	25.24	40.00
2496-050	50	20.00	40.00	30.24	45.00

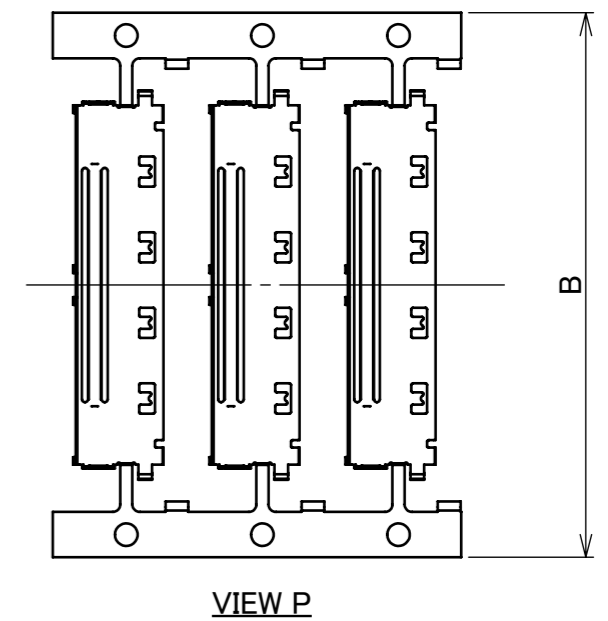
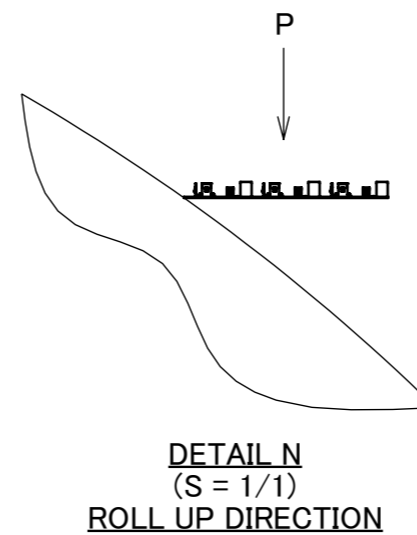
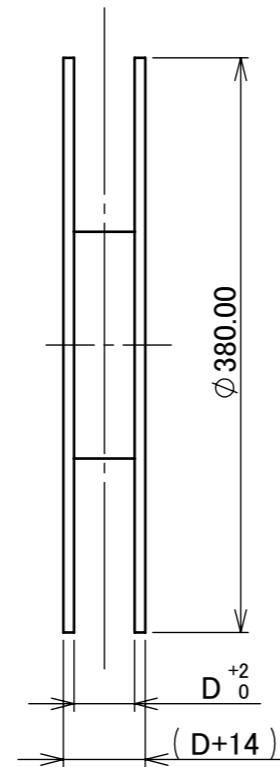
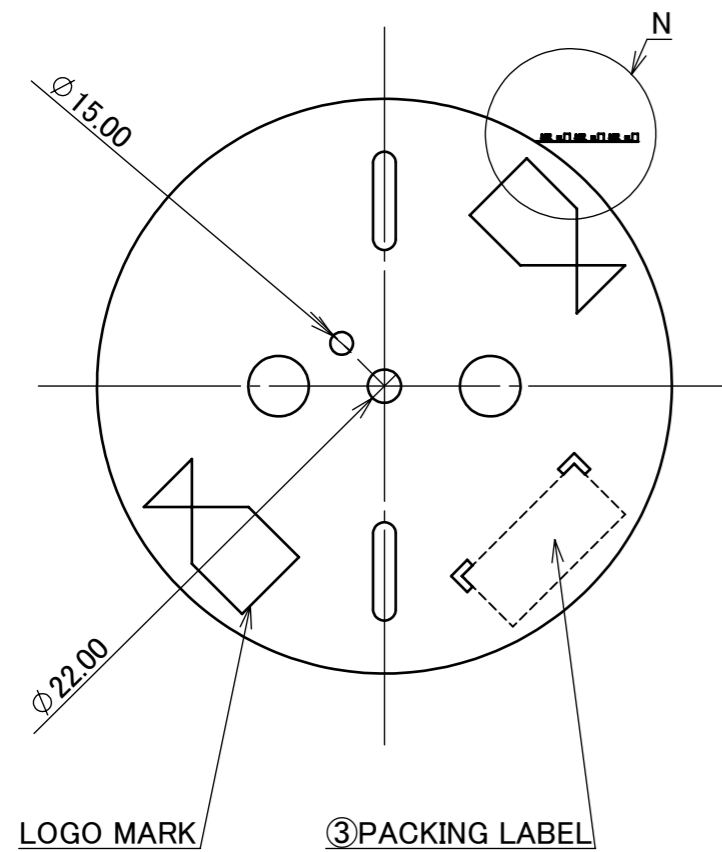


40P(P/N : 2496-040)

1	SHELL-A	PHOSPHOR BRONZE	Sn(NO POLISH) 2.00 μm MIN. OVER Ni 1.00 μm MIN.
NO.	DISCRIPTION	MATERIAL	FINISH , REMARKS

8	Z191180	R.M	Sept./09/'19	H.I	ANGLE	±2°	6 OVER 30 MAX.	±0.3	PROJECTION ⊕	SERIES No. R2	CUSTOMER COPY
7	Z181398	H.A	Oct./26/'18	Y.S	6 MAX.	±0.2	30 OVER 120 MAX.	±0.5			
6	Z141380	H.A	Dec./02/'14	E.K	GENERAL TOLERANCE.				TITLE FPL II CONN. PLUG SHELL-A	SCALE 5:1	UNIT mm
5	Z13506	H.A	June/04/'13	E.K	DWG.	DATE					
4	Z10488	T.D	Dec./01/'10	T.H	K. T	May/30/'07					
3	Z08644	K.T	Dec./22/'08	T.H	CHK.	DATE			DWG. No. 2496	SIZE A3	SHEET 1/2 REV. 8
REV.	ECN	BY	DATE	APP.	Y. H	May/31/'07					
REVISION RECORD					T. H	DATE	June/08/'07				

PART NO.	Pos.	B	D	QTY. PER EMBOSS REEL (PIECES / REEL)	QTY. PER PACKING CARTON (REELS / CARTON)	PACKING STANDARD
2496-030	30	30.00	35.00	4000 PIECES / REEL	3 REELS / CARTON (12000 PIECES / CARTON)	300-585
2496-040	40	36.00	40.00			
2496-050	50	40.00	45.00			



②PACKING REEL
(S = 1/5)

NO.	DISCRIPTION	MATERIAL	FINISH , REMARKS
3	PACKING LABEL	-	-
2	PACKING REEL	CARDBOARD	-

ANGLE	$\pm 2^\circ$	6 OVER 30 MAX.	± 0.3	PROJECTION	SERIES No.	CUSTOMER COPY
6 MAX.	± 0.2	30 OVER 120 MAX.	± 0.5		R2	
GENERAL TOLERANCE.				TITLE		SCALE
DWG.	DATE	FPL II CONN. PLUG SHELL-A			2496	1:5
CHK.	DATE					UNIT
APP.	DATE					mm
				DWG. No.		SIZE
						A3
						SHEET 2/2
						REV. 8