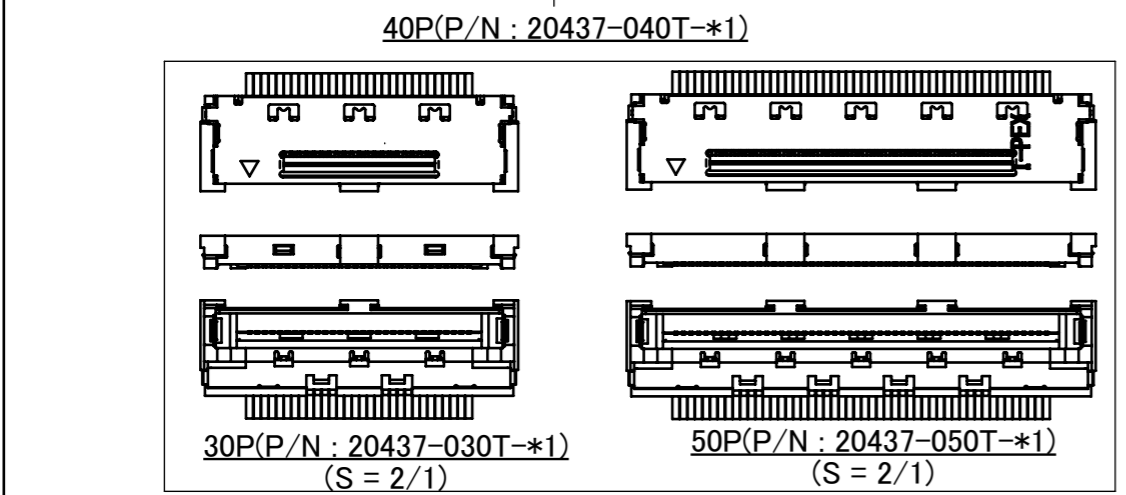
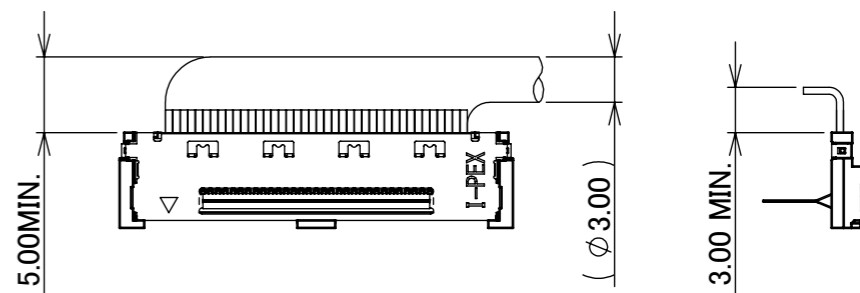
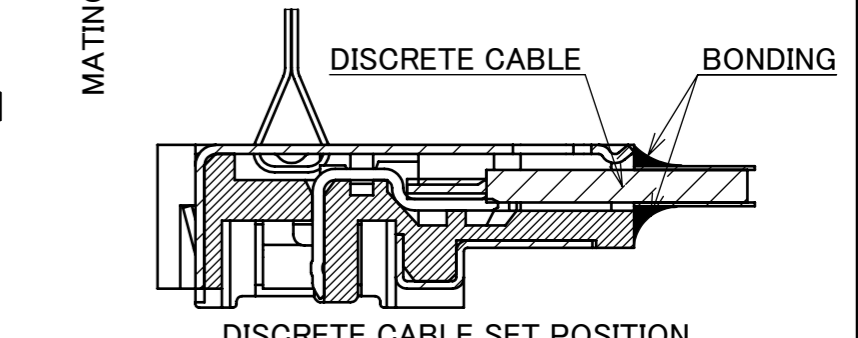
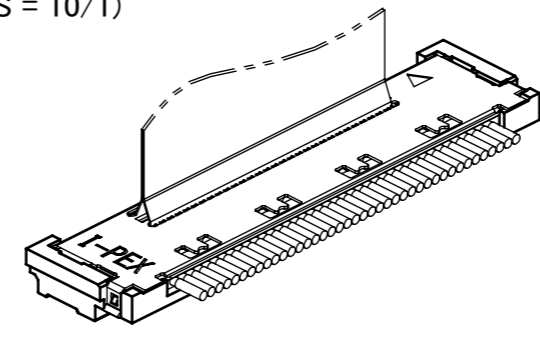
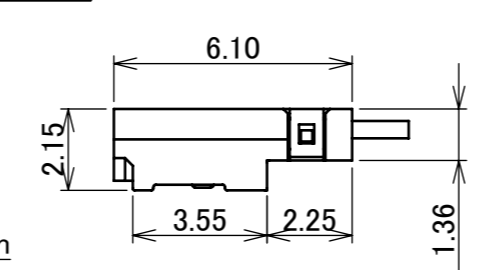
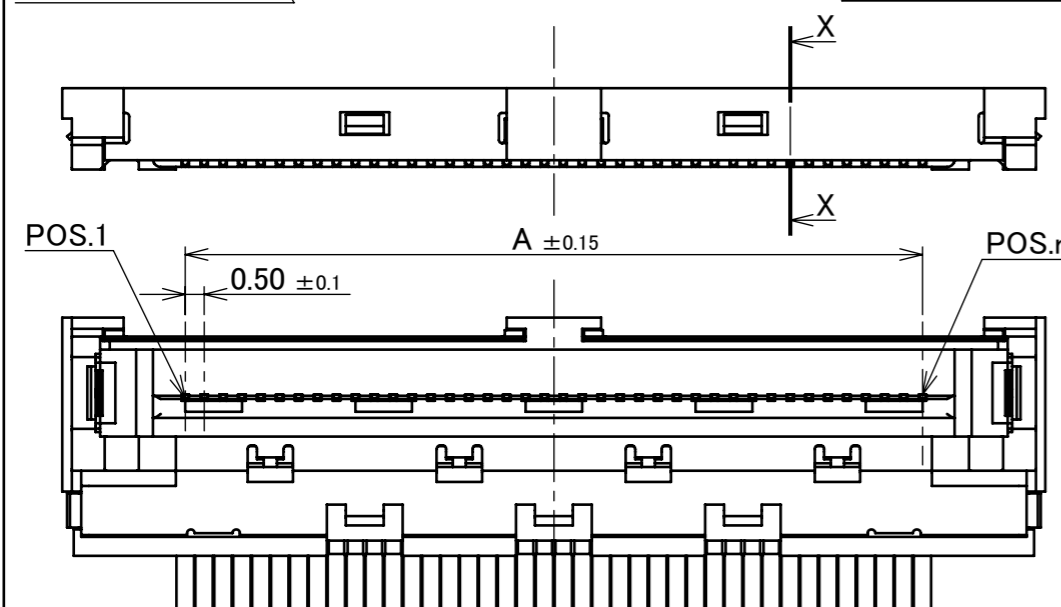
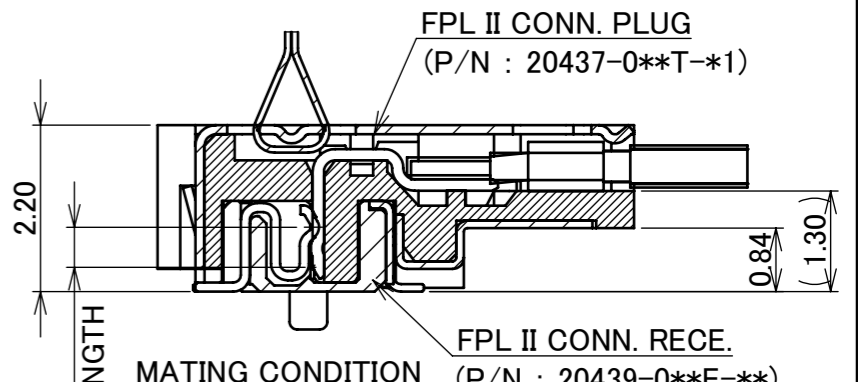
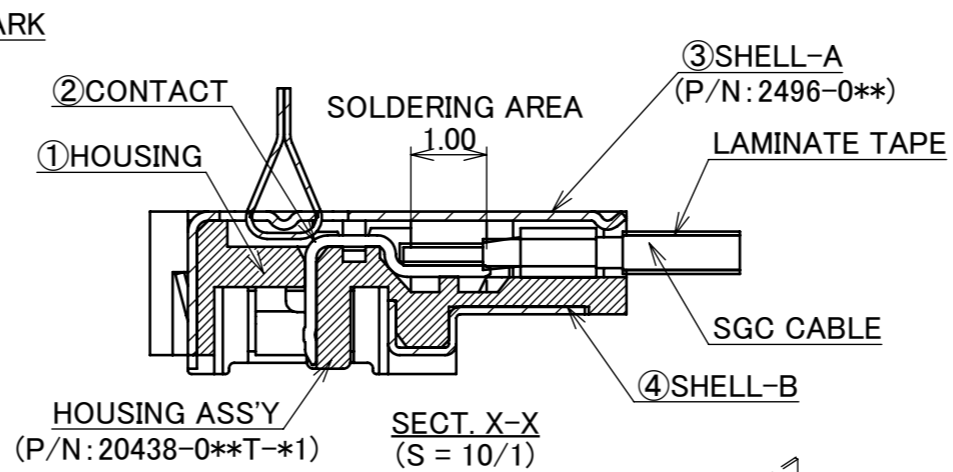
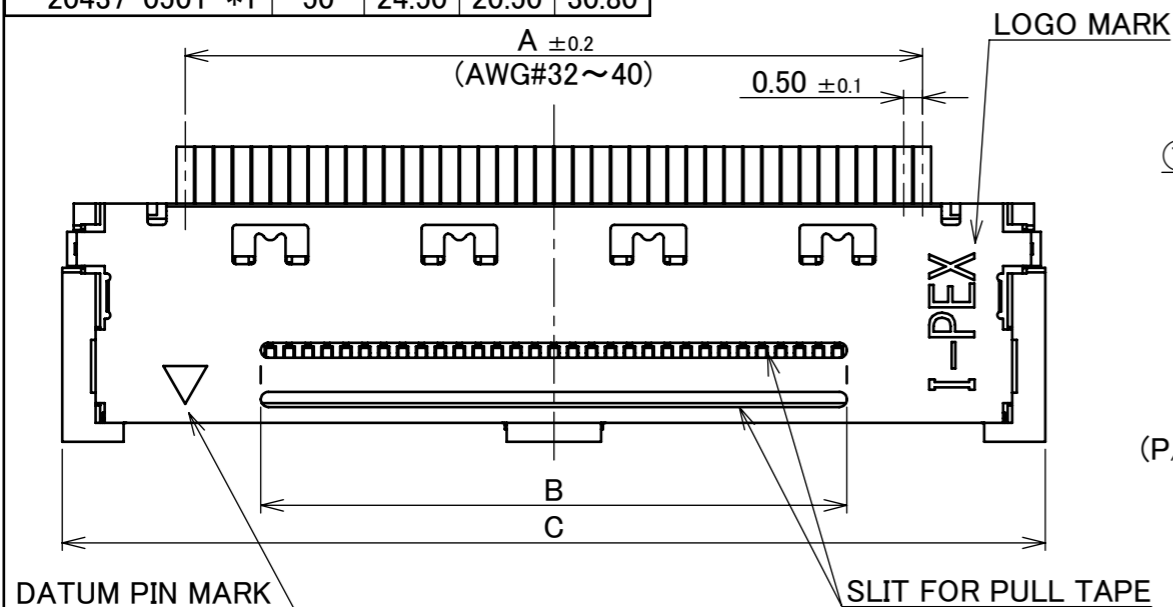


Recommended P/N 20437-0**T-01

PART No.	POS.	A	B	C
20437-030T-*1	30	14.50	10.50	20.80
20437-040T-*1	40	19.50	15.50	25.80
20437-050T-*1	50	24.50	20.50	30.80



CABLE ASS'Y PART No.	HOUSING ASS'Y PART No.	SHELL-A PART No.	CONTACT FINISH (MATING AREA)
20437-0**T-01	20438-0**T-01	2496-0**	Au 0.10 μm MIN.
20437-0**T-11	20438-0**T-11	2496-0**	Au 0.30 μm MIN.



NO.	DISCRIPTION	MATERIAL	FINISH, REMARKS
4	SHELL-B	PHOSPHOR BRONZE	Sn 2.00 μm MIN. OVER Ni 1.00 μm MIN.
3	SHELL-A	PHOSPHOR BRONZE	Sn 2.00 μm MIN. OVER Ni 1.00 μm MIN.
2	CONTACT	PHOSPHOR BRONZE	PART NO. 20437-0**T-01 MATING AREA : Au 0.10 μm MIN. OVER Ni 1.00 μm MIN. OTHER AREA : Au 0.05 μm MIN. OVER Ni 1.00 μm MIN. PART NO. 20437-0**T-11 MATING AREA : Au 0.30 μm MIN. OVER Ni 1.00 μm MIN. OTHER AREA : Au 0.05 μm MIN. OVER Ni 1.00 μm MIN.
1	HOUSING	LCP	UL94V-0, BLACK

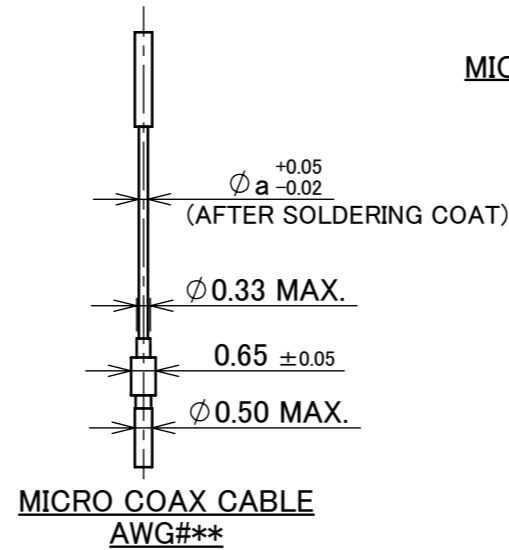
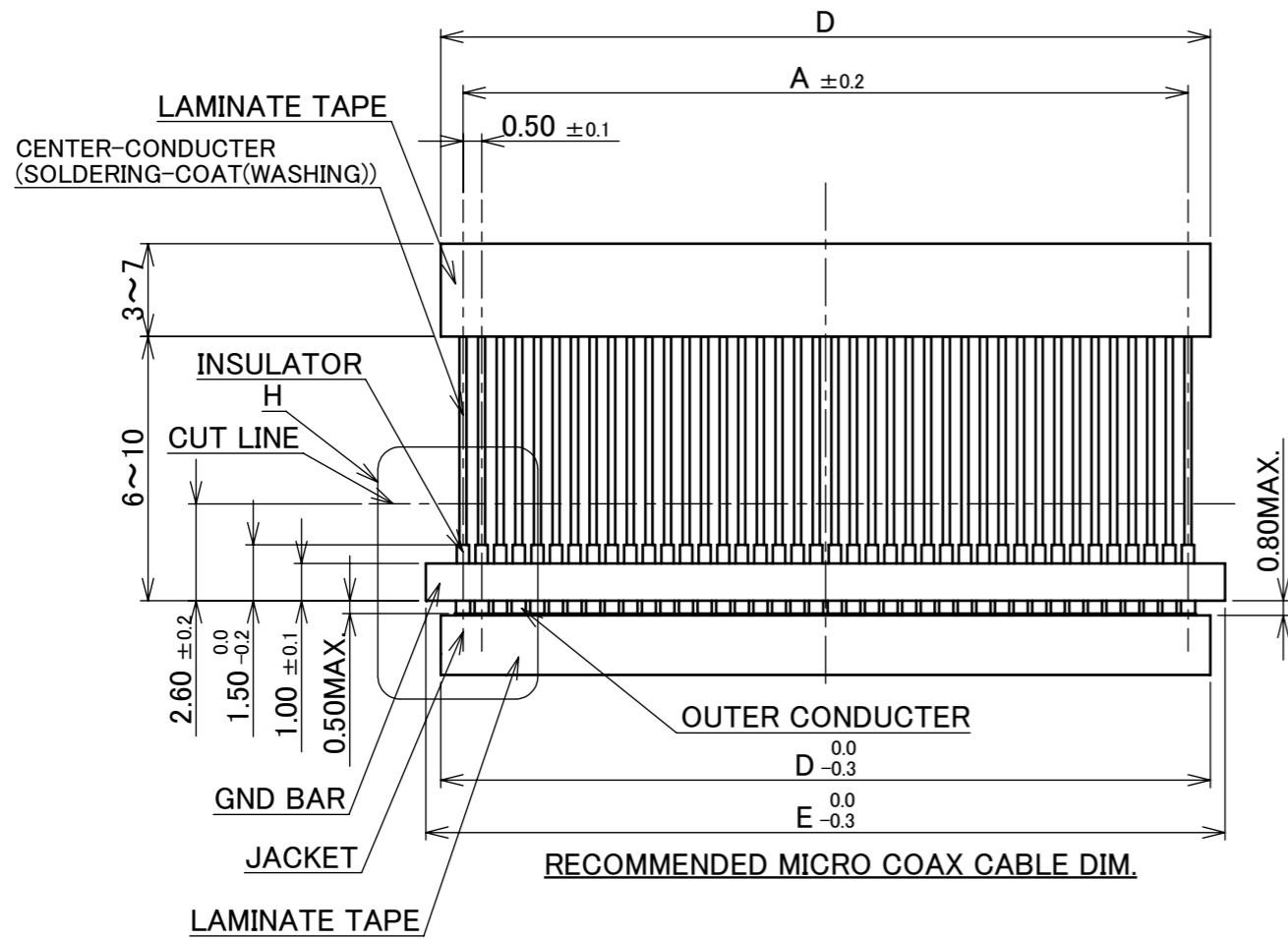
REV.	ECN	BY	DATE	APP.	APP.	DATE	DWG. No.	SIZE	SHEET	REV.	
13	Z191305	Y.Sasa	Sept./27/'19	H.I	ANGLE	±2°	6 OVER 30 MAX.	±0.3	PROJECTION	SERIES No. R5	CUSTOMER COPY
12	Z190870	Y.Sasa	July/01/'19	H.I	6 MAX.	±0.2	30 OVER 120 MAX.	±0.5			
11	Z181398	H.A	Oct./26/'18	Y.S	GENERAL TOLERANCE.			TITLE	SCALE	UNIT mm	I-PEX
10	Z141380	H.A	Dec./02/'14	E.K	DWG.	DATE	FPL II CONN. PLUG CABLE ASS'Y		10:1		
9	Z13506	H.A	Jun./04/'13	E.K	K.T	Apr./16/'07					
8	Z11041	T.D	Feb./02/'11	T.H	CHK.	DATE					
REV.	ECN	BY	DATE	APP.	Y.H	Apr./16/'07					
REVISION RECORD					T.H	Apr./16/'07	DWG. No.	20437	A3	SHEET 1/3	REV. 13

CAUTION VISIT OUR WEBSITE FOR LATEST VERSIONS OF INSTRUCTION MANUAL NO. HIM-09007 TO HANDLE THE PRODUCT PROPERLY AND SAFELY.

ITEMS	SPECIFICATION
APPLICABLE CABLE	MICRO COAX : AWG# 40, 38, 36, 34, 32 DISCRETE : AWG# 36, 34, 32 TWINCOAX : AWG# 40
RATING VOLTAGE	100V AC (PER CONTACT)
RATING AMPERAGE (FOR CONTACT)	0.3A AC/DC [AWG#40] PER CONTACT / UP TO 50 CONTACTS 0.6A AC/DC [AWG#38] PER CONTACT / UP TO 6 CONTACTS 0.8A AC/DC [AWG#36] PER CONTACT / UP TO 4 CONTACTS 1.0A AC/DC [AWG#34, 32] PER CONTACT / UP TO 7 CONTACTS TESTING BY REAL MACHINE IS RECOMMENDED BECAUSE TEMPERATURE RISE MAY AFFECTED BY ACTUAL SITUATION.
OPERATING TEMPERATURE	233~358K(-40°C~+85°C)
OPERATING HUMIDITY	85% MAX.(NON-CONDENSING)
CONTACT RESISTANCE	INITIAL : 145mohm MAX.(AWG#32) / AFTER TEST : \triangle 40mohm MAX. 185mohm MAX.(AWG#34) 210mohm MAX.(AWG#36) 335mohm MAX.(AWG#38) 575mohm MAX.(AWG#40)
GROUND SHELL RESISTANCE	INITIAL : 50mohm MAX. / AFTER TEST : \triangle 40mohm MAX.
INSULATION RESISTANCE	INITIAL : 1000Mohm MIN. / AFTER TEST : 500Mohm MIN.
DIELECTRIC WITHSTANDING VOLTAGE	AC250V 1min
DURABILITY	30 CYCLES
MATING FORCE (INITIAL / AFTER TEST)	30P : 50.0N MAX. / 40P : 60.0N MAX. / 50P : 70.0N MAX.
UNMATING FORCE (INITIAL / AFTER TEST)	30P : 5.0N MIN. / 40P : 6.0N MIN. / 50P : 7.0N MIN.
CABLE RETENTION FORCE	30.0N MIN.
COPLANARITY	0.10 MAX.
PRODUCT SPECIFICATION	PRS-1383
TEST REPORT	TR-07048
PACKING STANDARD	PLUG HOUSING ASS'Y : 300-584 / PLUG SHELL-A : 300-585
INSTRUCTION MANUAL	HIM-09007
ASSEMBLY MANUAL	ASM-07005
APPEARANCE CRITERIA No.	QLS-A***

ANGLE	$\pm 2^\circ$	6 OVER 30 MAX.	± 0.3	PROJECTION 	SERIES No. R5	CUSTOMER COPY	
	6 MAX.	± 0.2	30 OVER 120 MAX.				± 0.5
GENERAL TOLERANCE.				TITLE FPL II CONN. PLUG CABLE ASS'Y	SCALE \triangle	UNIT mm	
DWG.	DATE						
CHK.	DATE						
APP.	DATE						
				DWG. No.	20437	SIZE A3	
						SHEET 2/3	REV. 13

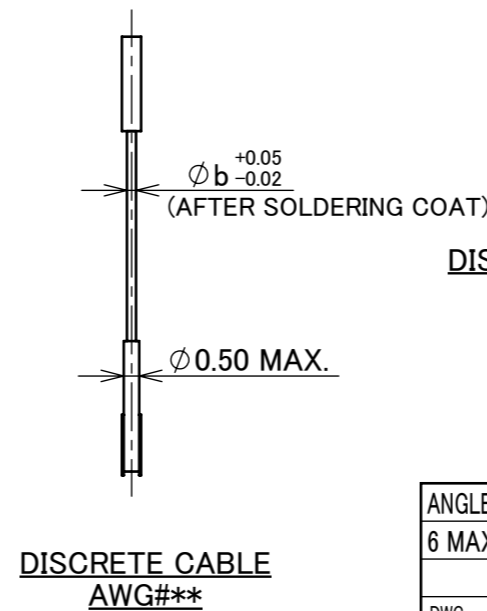
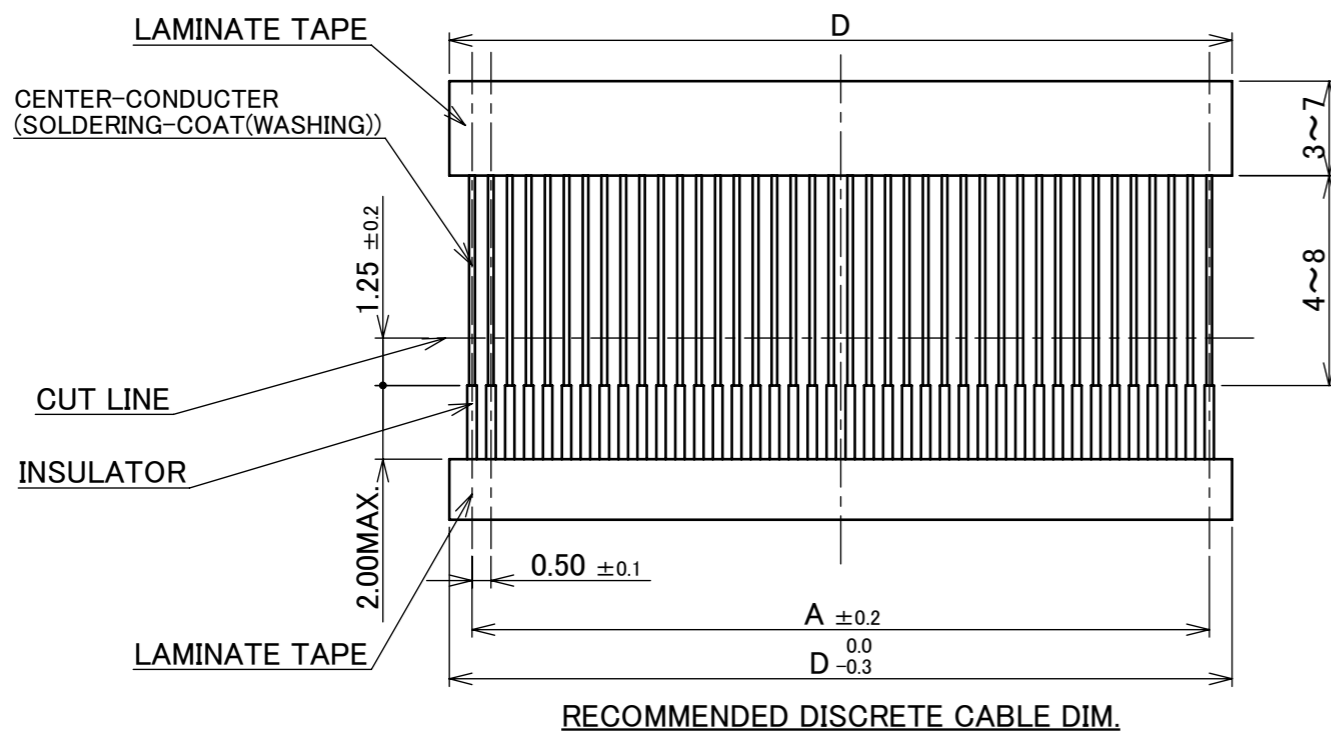
PART No.	POS.	A	D	E
20437-030T-*1	30	14.50	15.70	17.50
20437-040T-*1	40	19.50	20.70	22.50
20437-050T-*1	50	24.50	25.70	27.50



MICRO COAX CABLE DIMENSION

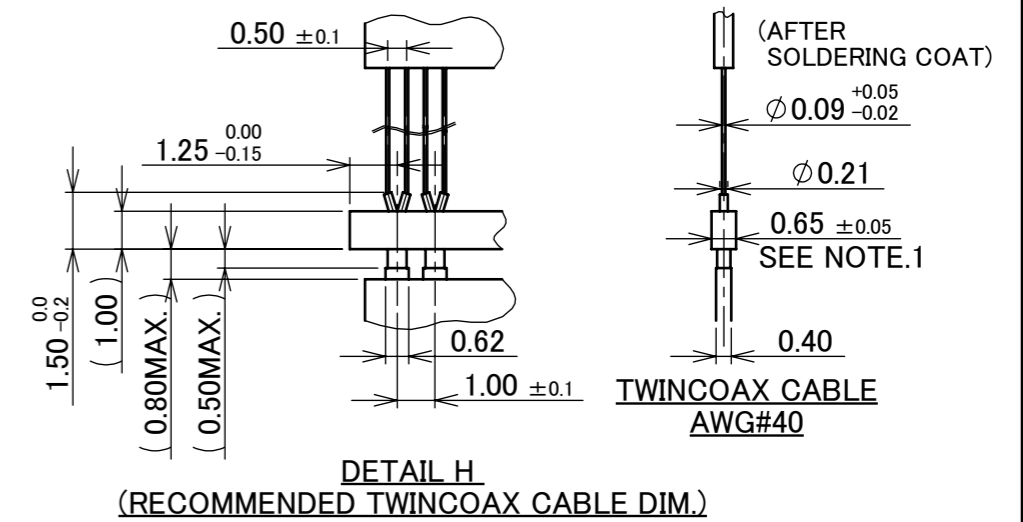
	a
#32	0.24
#34	0.192
#36	0.15
#38	0.12
#40	0.09

MICRO COAX CABLE #32, 34, 36 : NOT RECOMMENDED FOR HIGH SPEED SIGNAL TRANSFER



DISCRETE CABLE DIMENSION

	b
#32	0.24
#34	0.192
#36	0.15



ANGLE	±2°	6 OVER 30 MAX.	±0.3	PROJECTION ⊕	SERIES No. R5	CUSTOMER COPY
	6 MAX.	±0.2	30 OVER 120 MAX.			
GENERAL TOLERANCE.				TITLE FPL II CONN. PLUG CABLE ASS'Y	SCALE 20:1	UNIT mm
DWG.	DATE		DWG. No. 20437			
CHK.	DATE					
APP.	DATE					
				SIZE A3	SHEET 3/3	REV. 13